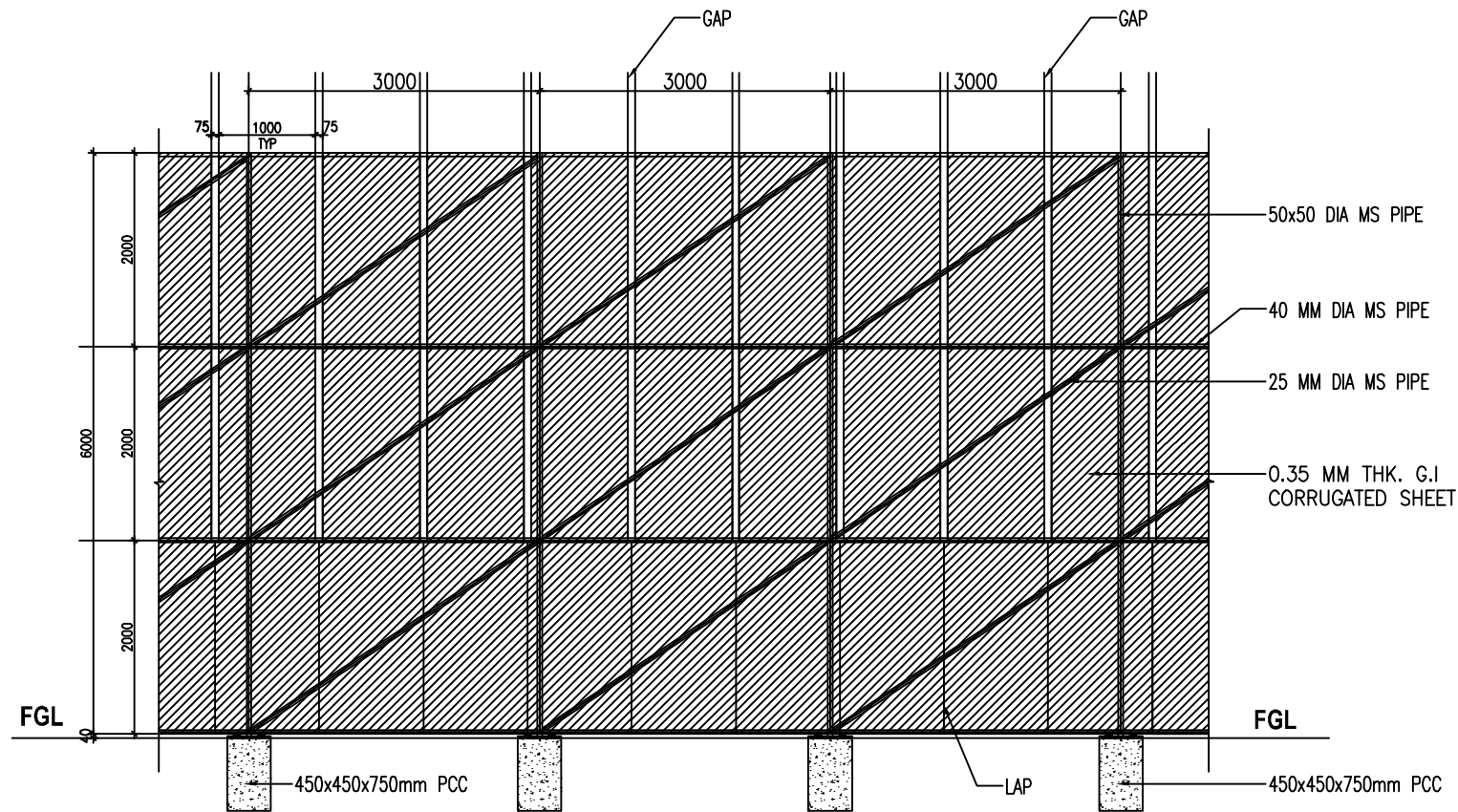
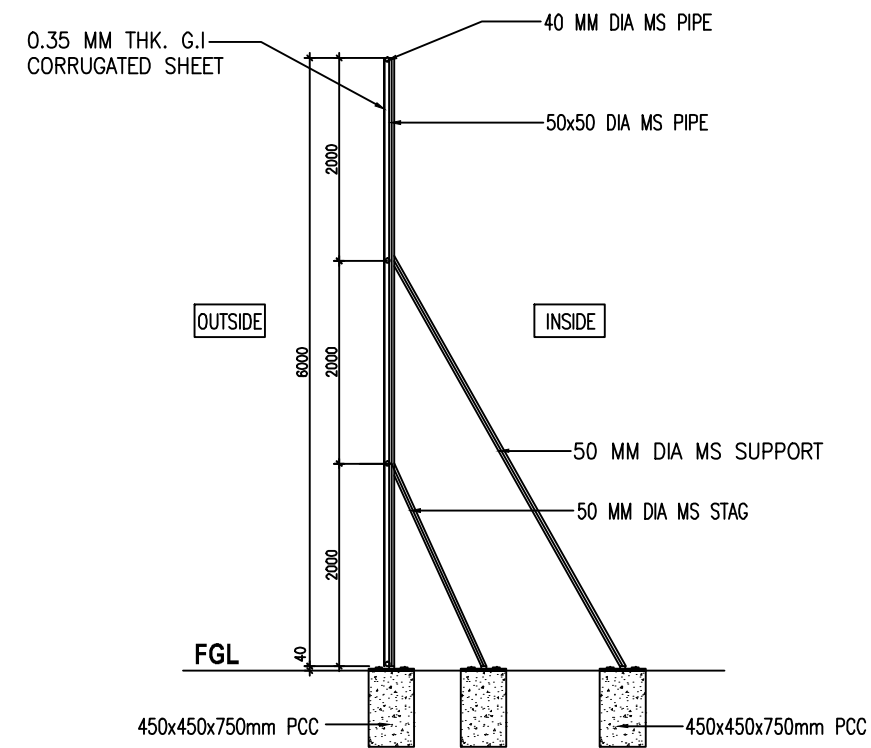


PART PLAN



PART ELEVATION



TYPICAL SECTION

- NOTES:
- All dimensions are in mm unless noted otherwise.
  - The dimensions are to be read and not scaled off the drawing.
  - Any discrepancy in the drawing shall be brought to the notice of the Architects.
  - This drawing is to be read in conjunction with other relevant drawings & specifications given in the tender document.
  - Only the latest revision of the drawings shall be considered valid for all purposes.

REVISIONS:

SL.	DATE	DESCRIPTION
-	-	-
-	-	-
-	-	-
-	-	-
-	-	-
-	-	-

KITCHEN CONSULTANTS  
**SRB Kitchen concepts**  
 D-1/ 1048, Vasant Kunj, New Delhi- 110070

SERVICE CONSULTANTS (MEP)  
**AECOM**  
 A-197, Sector 63, Noida-201301

STRUCTURAL CONSULTANTS  
**Jehovahking Engineering Consultants Pvt. Ltd.**  
 Guindy, Chennai- 600032

PROJECT  
**NEW DINING FACILITY  
 AT KRISHNA HOSTEL**  
**IIT MADRAS, CHENNAI**

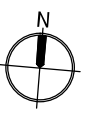
CLIENT  
  
**INDIAN INSTITUTE OF TECHNOLOGY  
 MADRAS**

ARCHITECT  
  
**Aadharshila Designs Pvt. Ltd.**  
 B - 4/124, L. G. F., Safdarjung Enclave, New Delhi - 110029.  
 Tel : +91 11 26100433 - 6, Fax : +91 11 26177678,  
 E-mail : adpl@adpl.in

COPYRIGHT  
 This drawing is the property of Aadharshila Designs Pvt. Ltd. It shall not be copied, used in any manner and handed over to any person or party without the prior permission of Aadharshila Designs Pvt. Ltd.

DRAWING TITLE  
**SITE PLAN**

**SITE BARRICADING DETAILS**



DATE	SCALE	REV.
06.01.2013	1:75	

DRAWING NO.  
**IITM/KD/DD/ AR-005**

DETAILED ARCHITECTURAL DRAWING