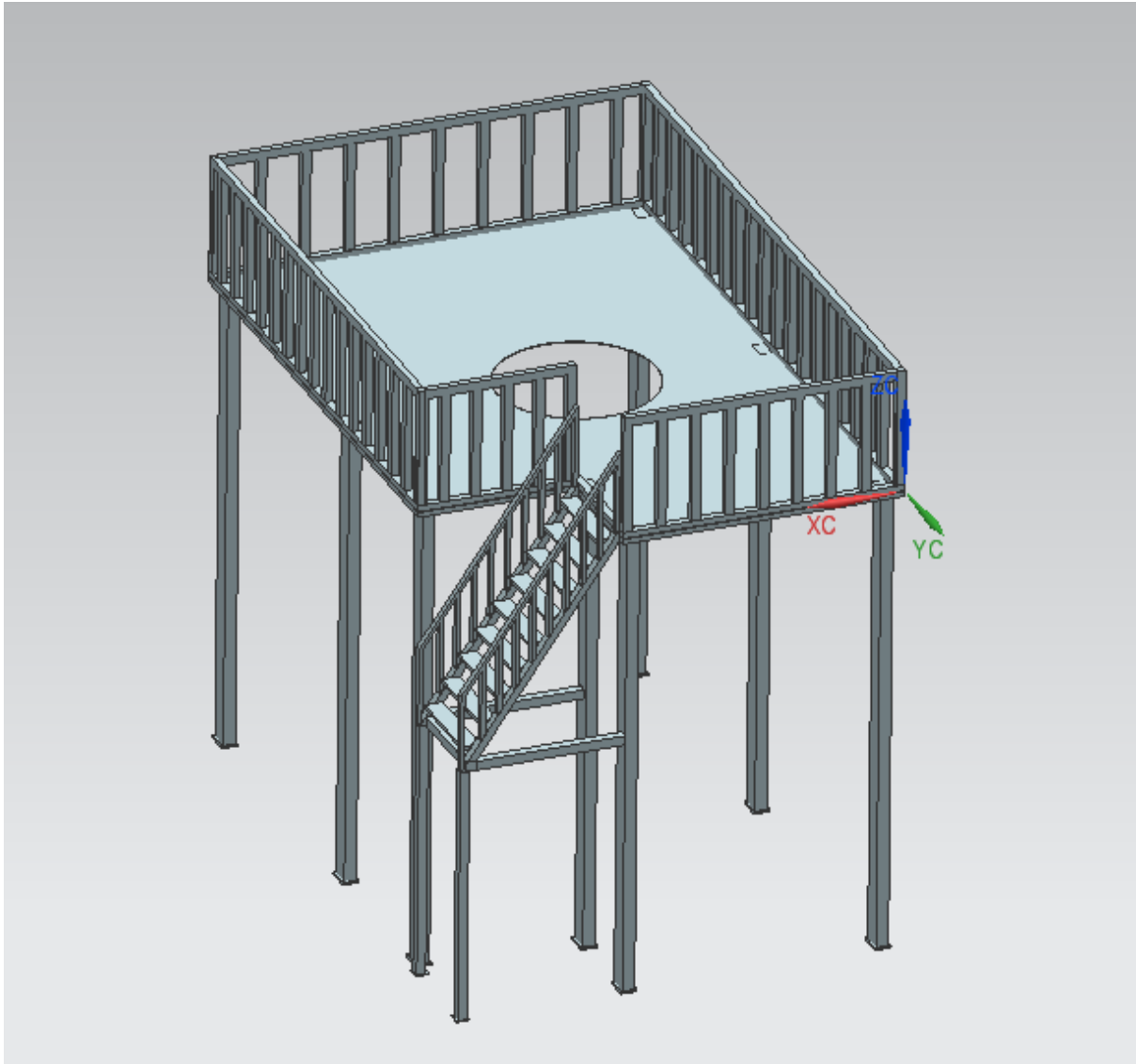
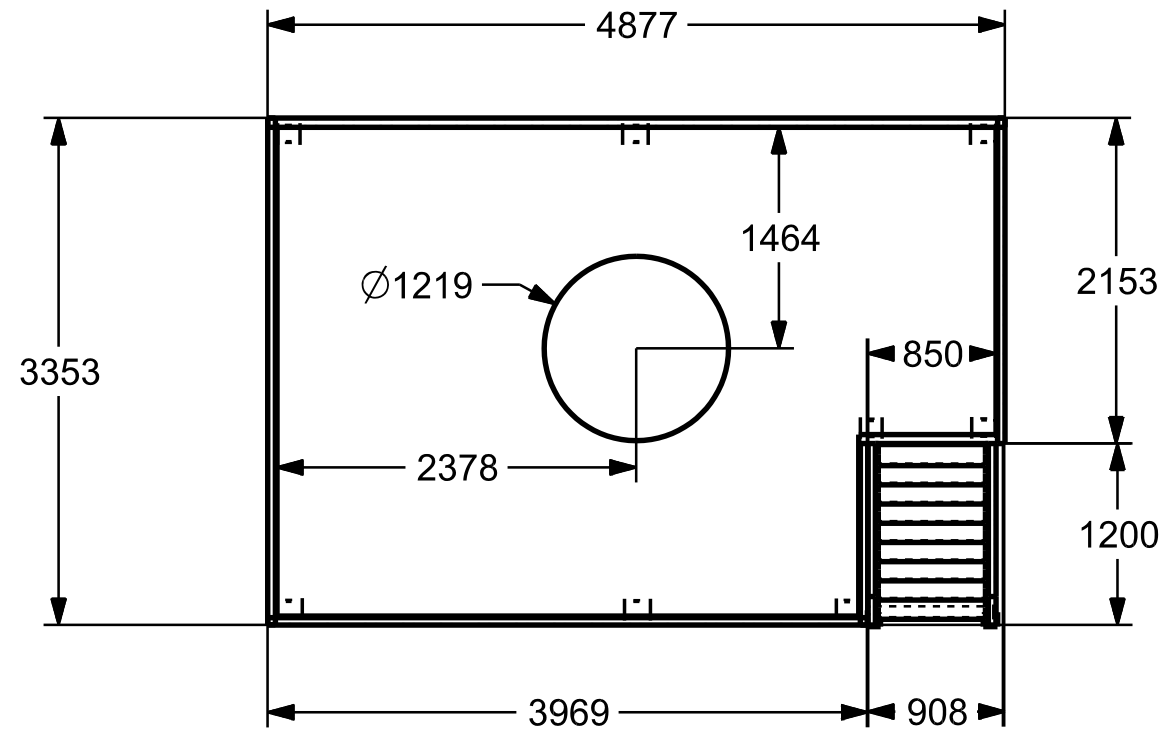


Platform for gas atomization system



Three-dimensional view of the platform for gas-atomization system



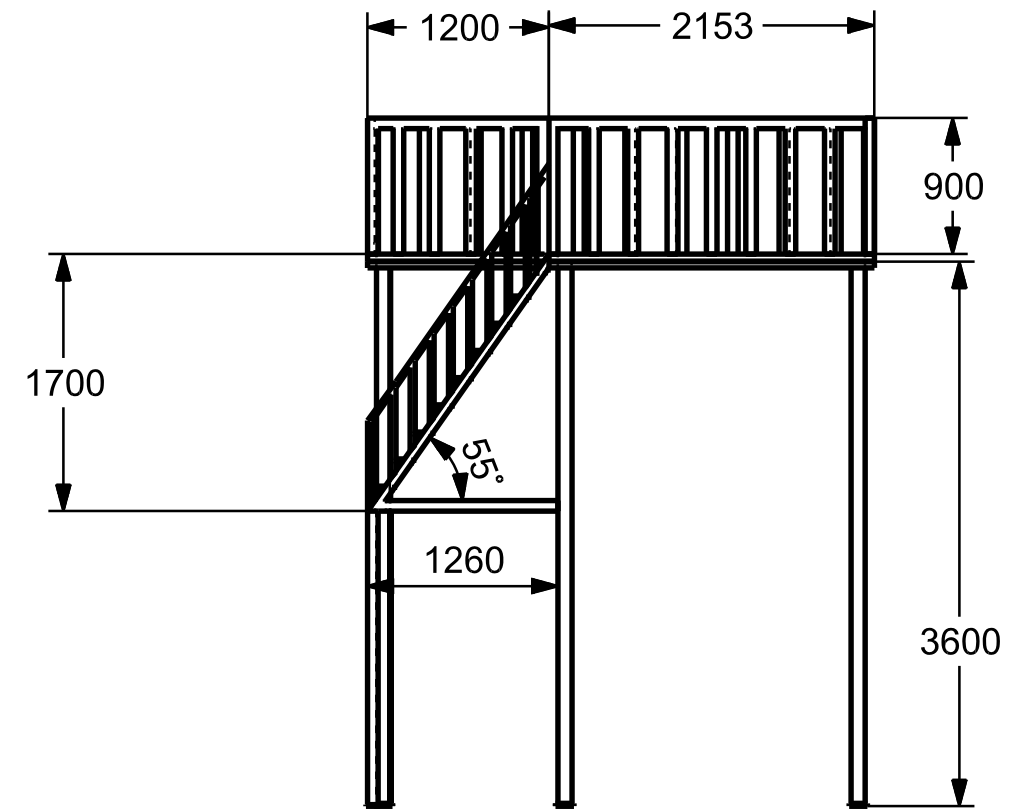
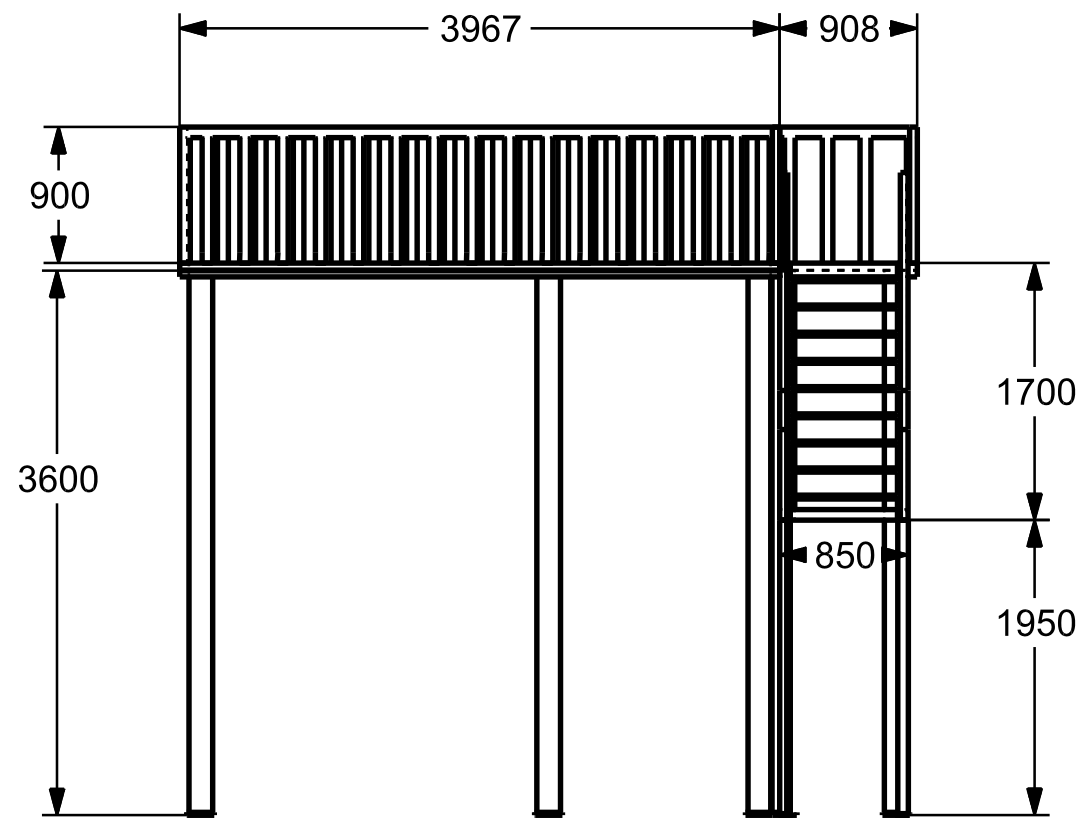
All dimensions are in mm

Material: Mild Steel

Number of supporting columns: 10

Sheet metal thickness: 6 mm

Load carrying capacity: 1.5 tons



Dimensional drawing for the platform for gas-atomization system