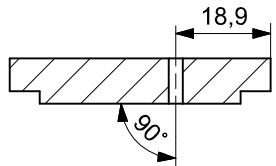
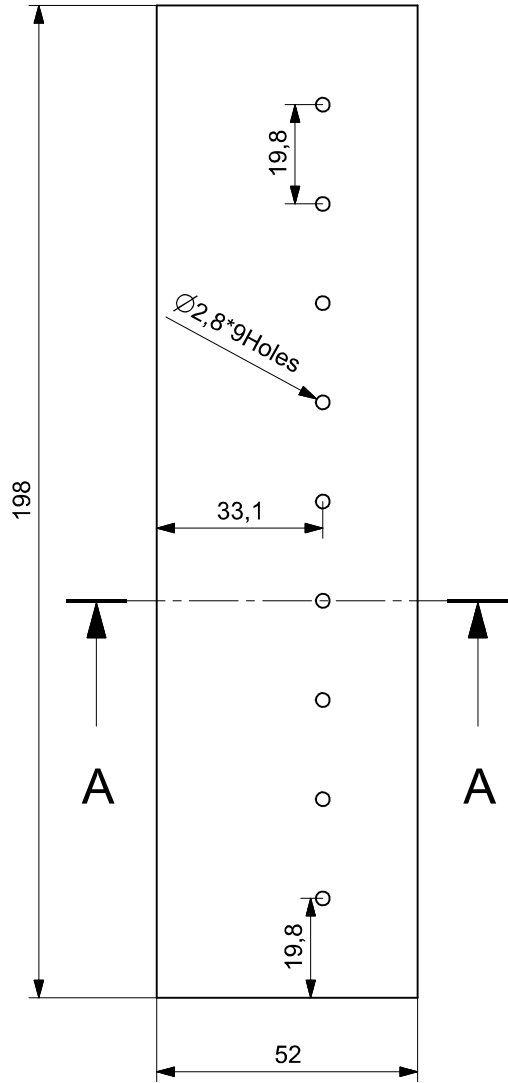
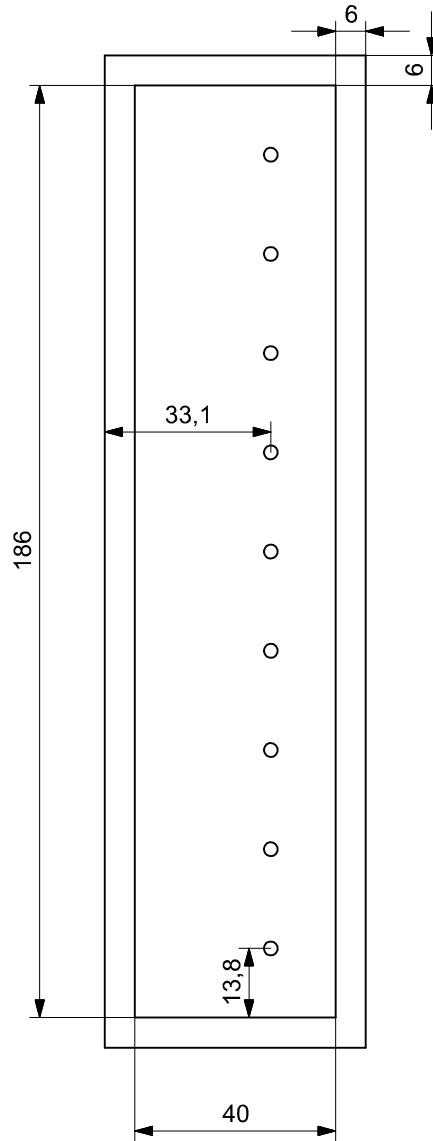


TOP VIEW

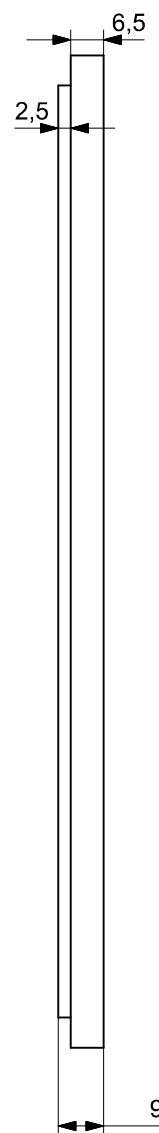


SECTION A-A

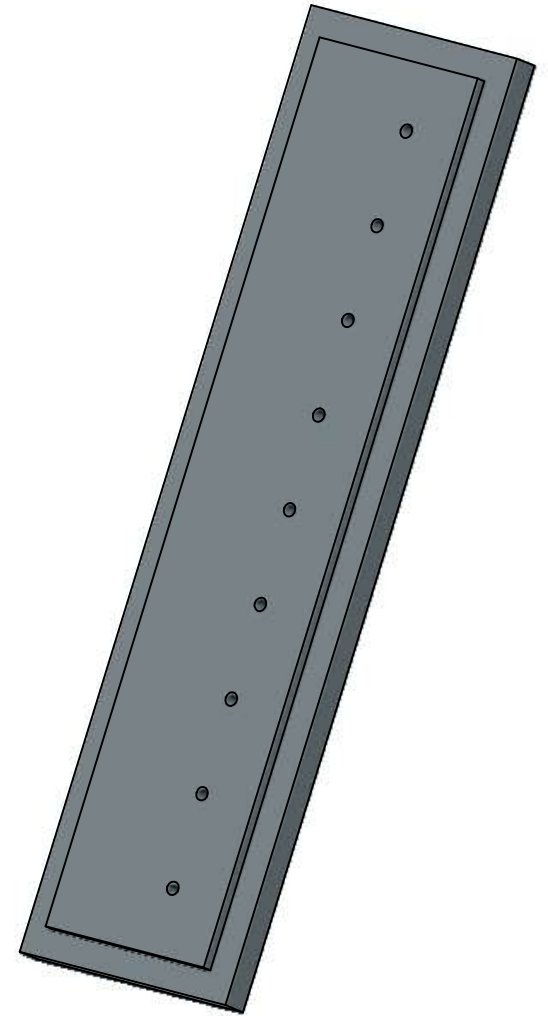
BOTTOM VIEW



SIDE VIEW

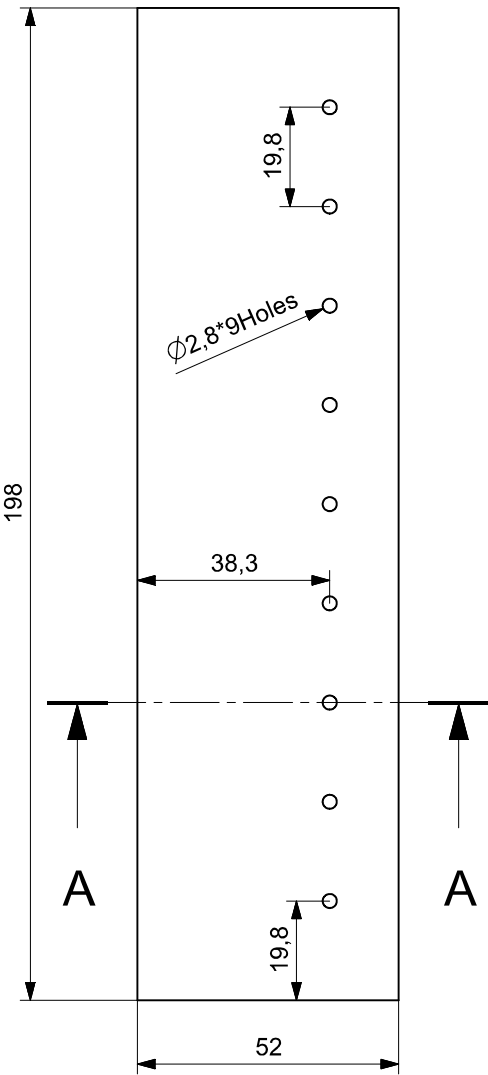


ISOMETRIC VIEW

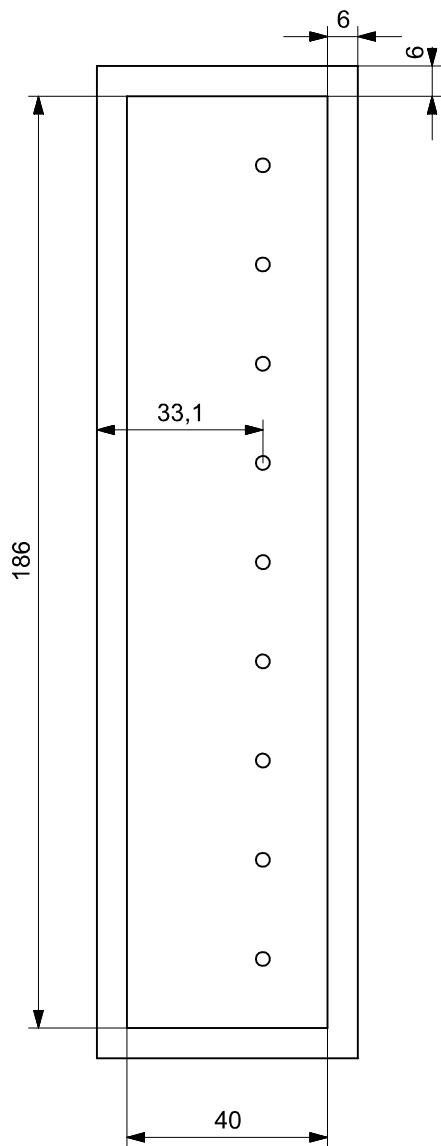


PART NAME	BOTTOM PLATE_0 DEG STRAIGHT
QUANTITY	02 NO'S
TOLERANCE	+/- 0.05 mm
100% TRANSPARENT AND 99.9% QUARTZ PURITY	
ALL DIMENSIONS ARE IN mm	

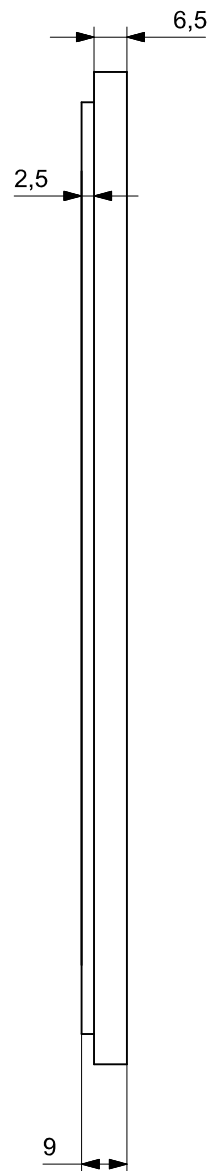
TOP VIEW



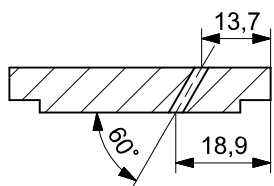
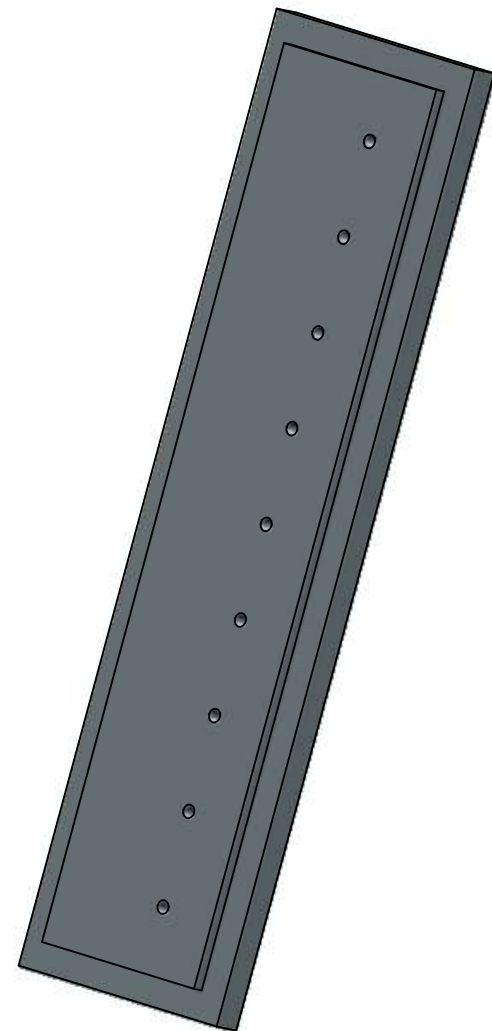
BOTTOM VIEW



SIDE VIEW



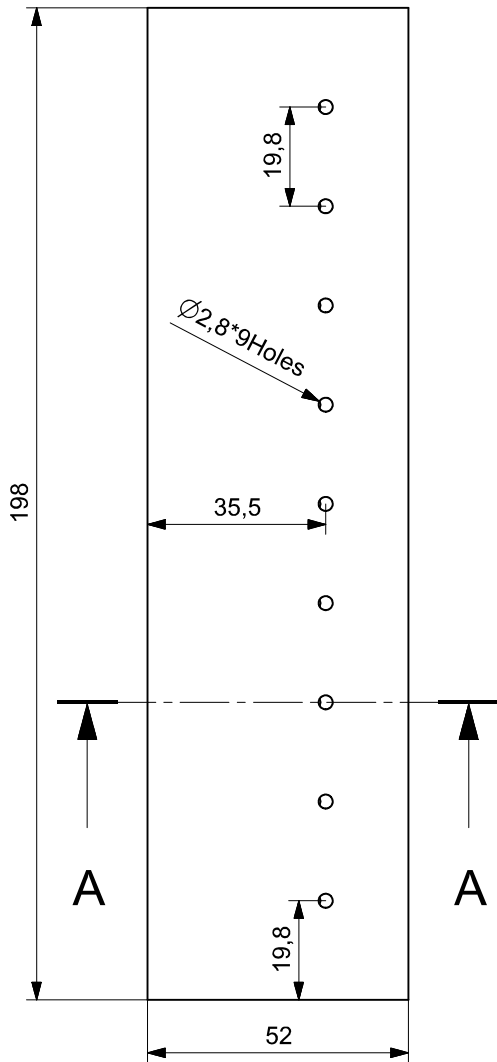
ISOMETRIC VIEW



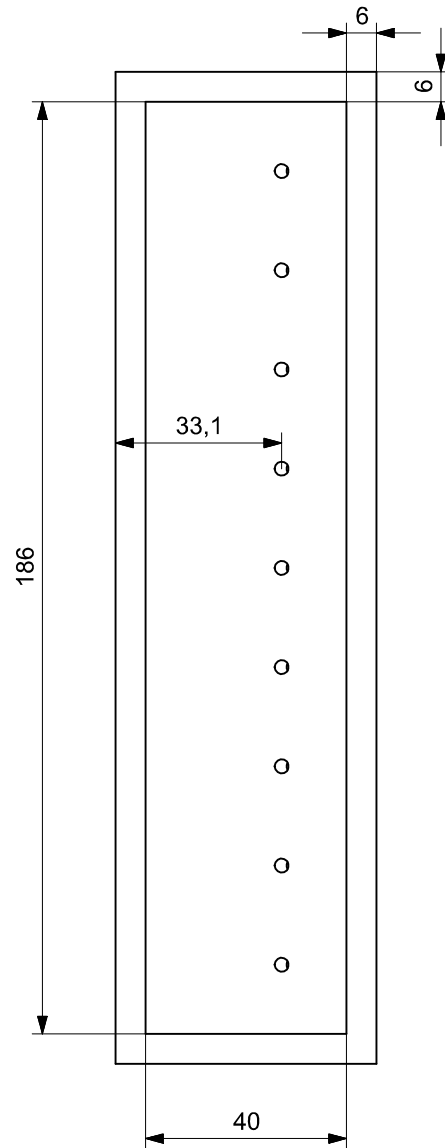
SECTION A-A

PART NAME	BOTTOM PLATE_60 DEG INCLINED
QUANTITY	02 NO'S
TOLERANCE	+/- 0.2 mm
100% TRANSPARENT AND 99.9% QUARTZ PURITY	
ALL DIMENSIONS ARE IN mm	

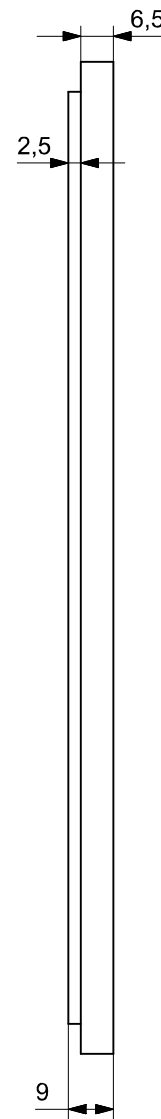
TOP VIEW



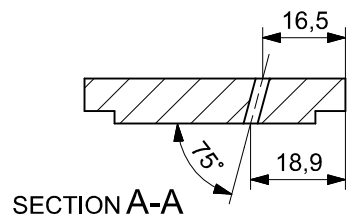
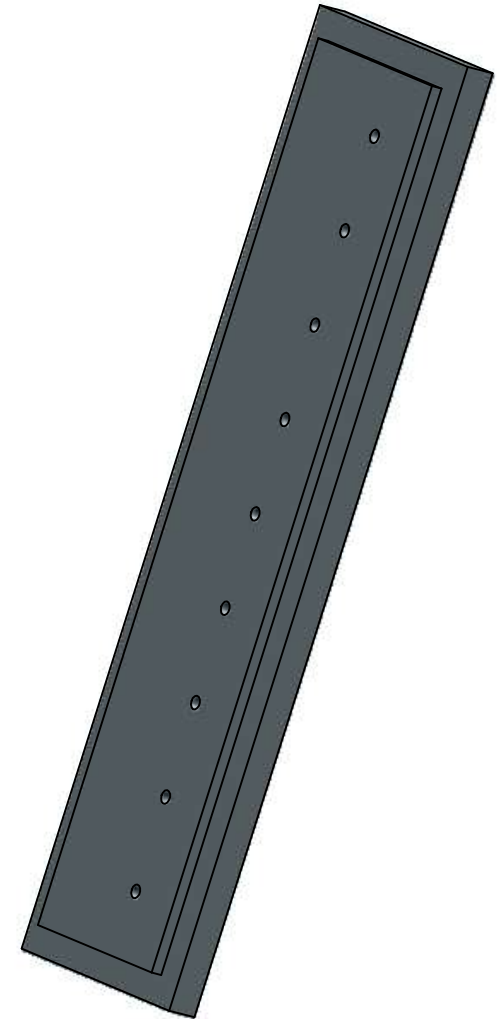
BOTTOM VIEW



SIDE VIEW

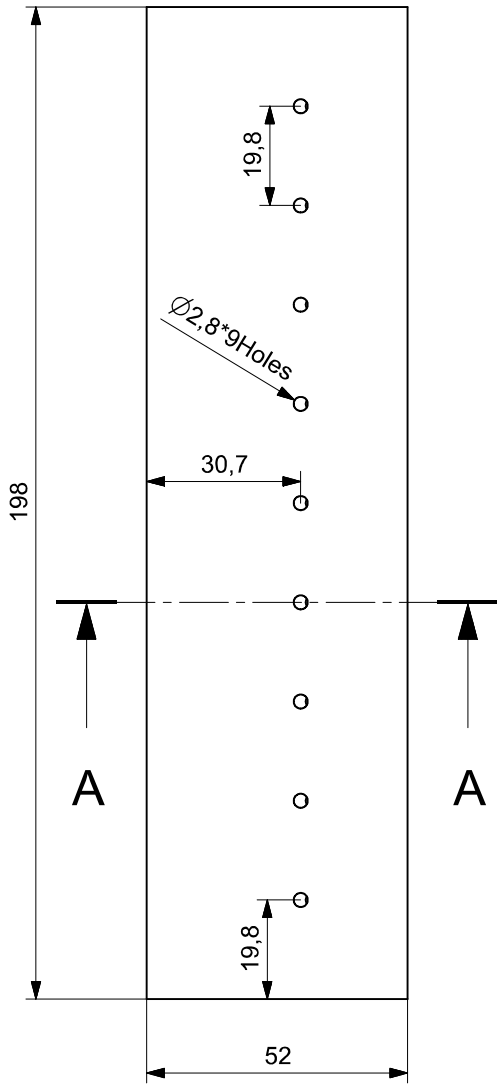


ISOMETRIC VIEW

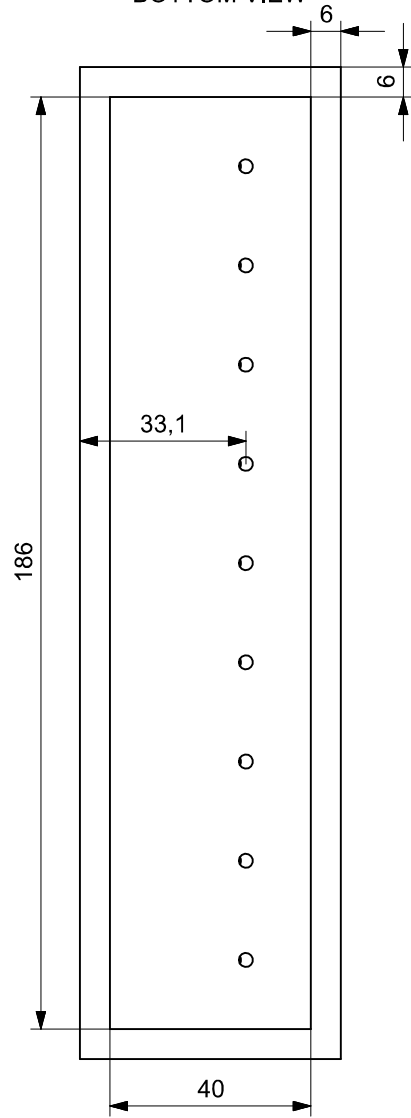


PART NAME	BOTTOM PLATE_75 DEG INCLINED
QUANTITY	02 NO'S
TOLERANCE	+/- 0.2 mm
100% TRANSPARENT AND 99.9% QUARTZ PURITY	
ALL DIMENSIONS ARE IN mm	

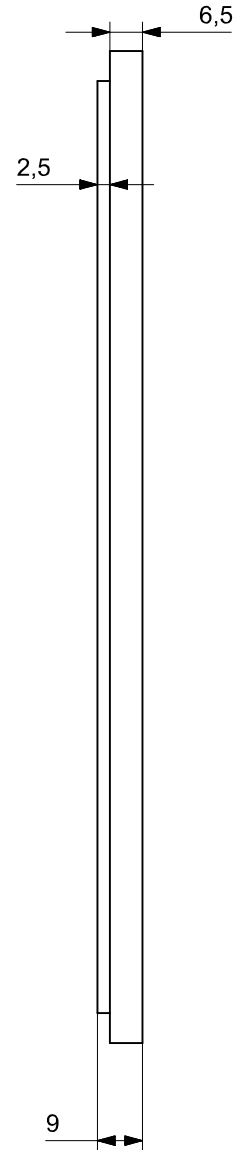
TOP VIEW



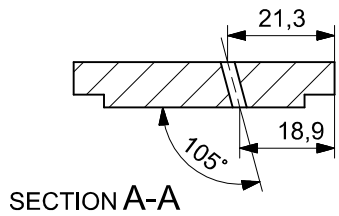
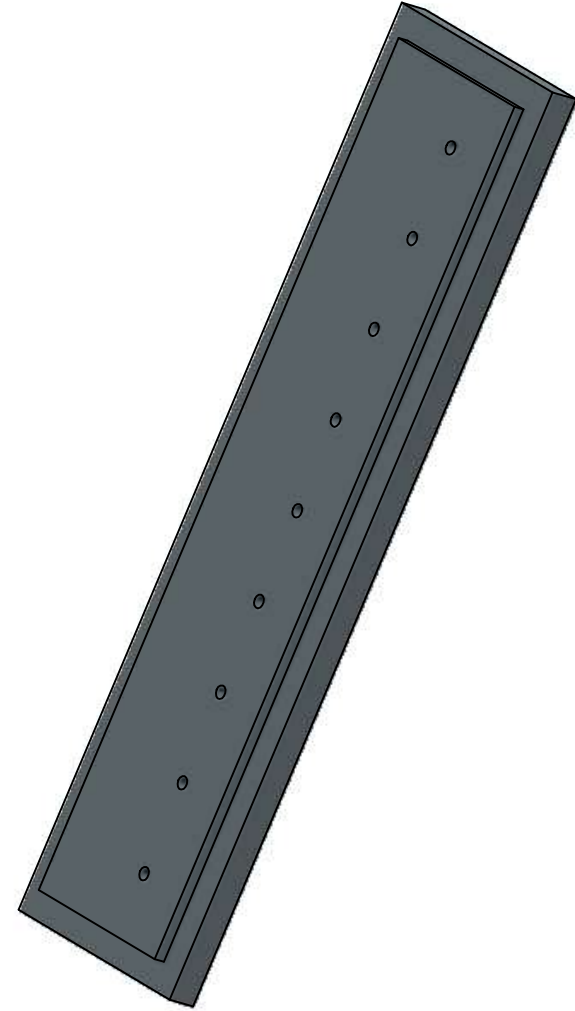
BOTTOM VIEW



SIDE VIEW



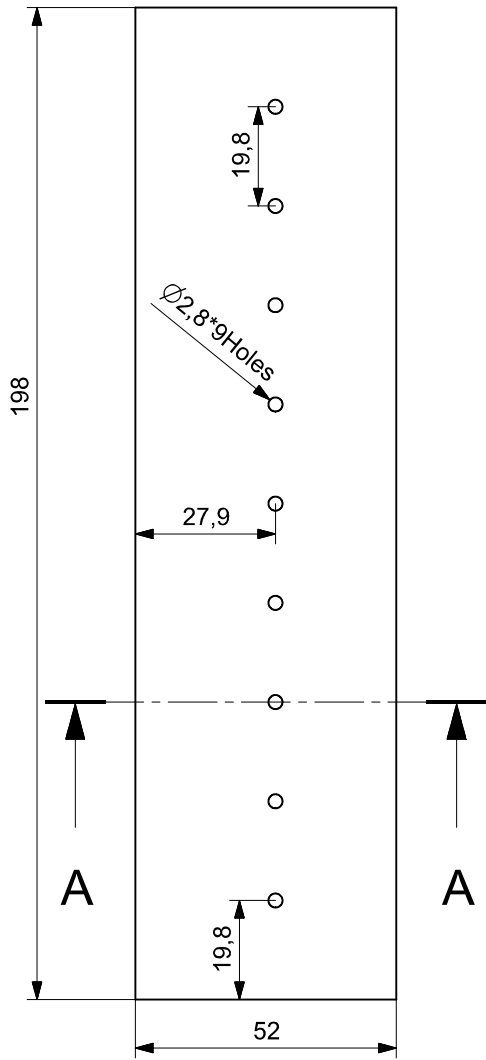
ISOMETRIC VIEW



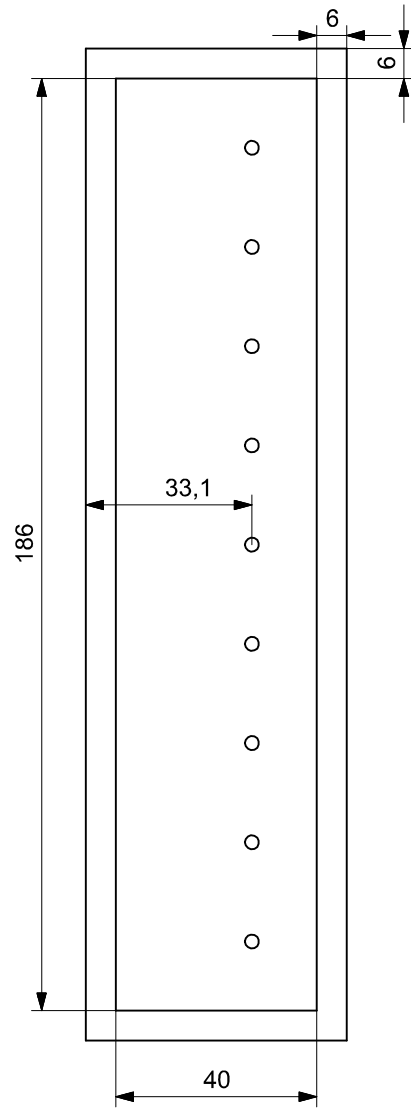
SECTION A-A

PART NAME	BOTTOM PLATE_105 DEG INCLINED
QUANTITY	02 NO'S
TOLERANCE	+/- 0.2 mm
100% TRANSPARENT AND 99.9% QUARTZ PURITY	
ALL DIMENSIONS ARE IN mm	

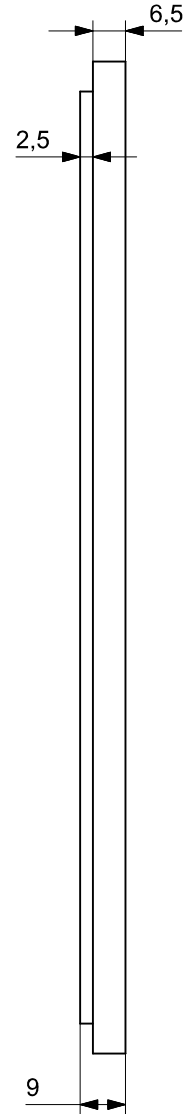
TOP VIEW



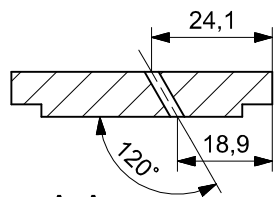
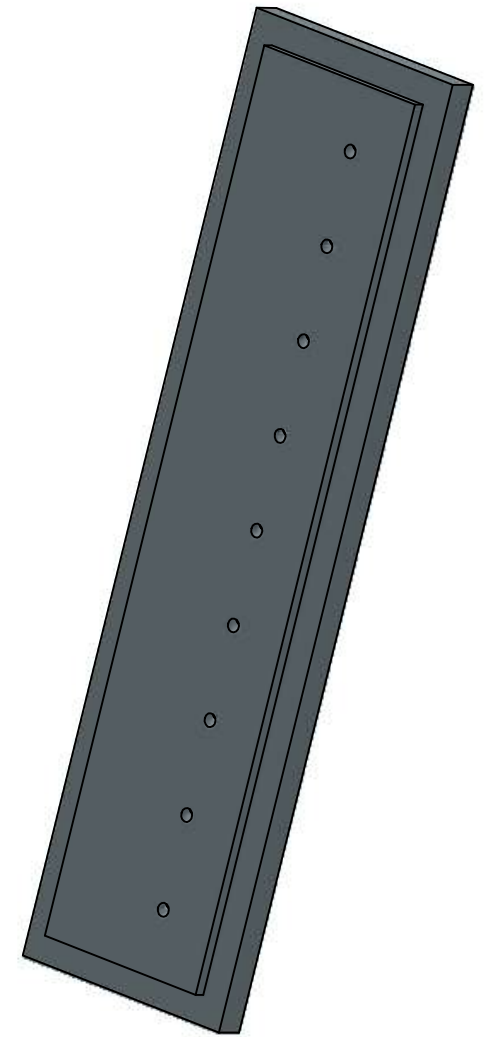
BOTTOM VIEW



SIDE VIEW

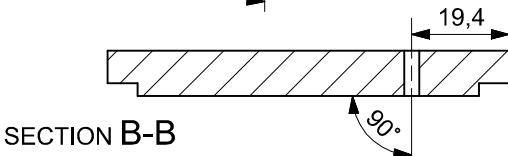
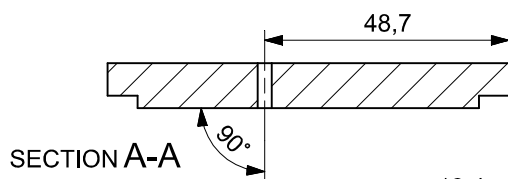
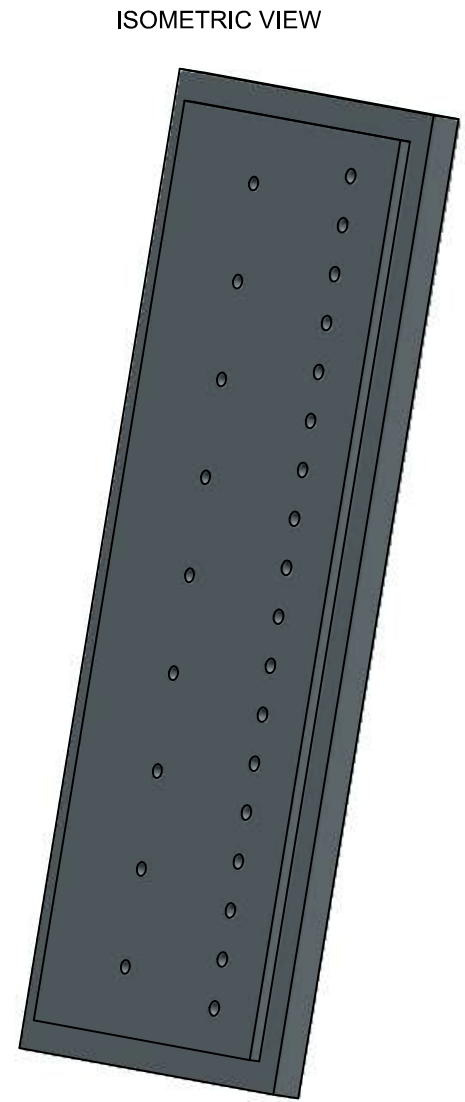
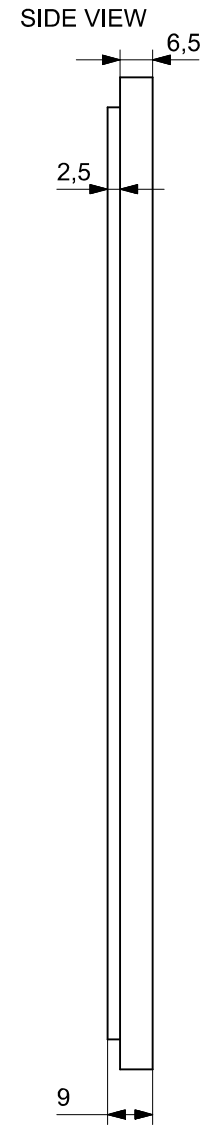
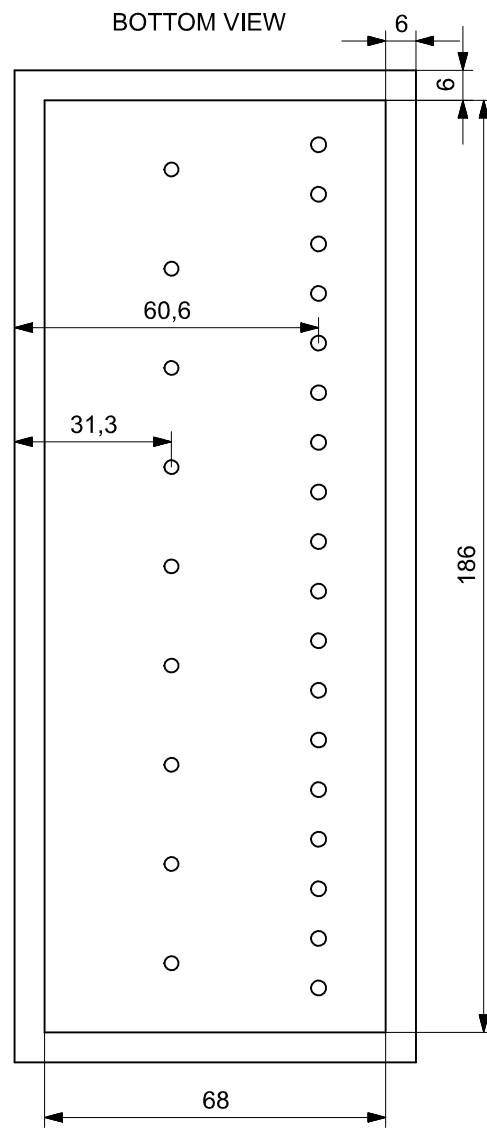
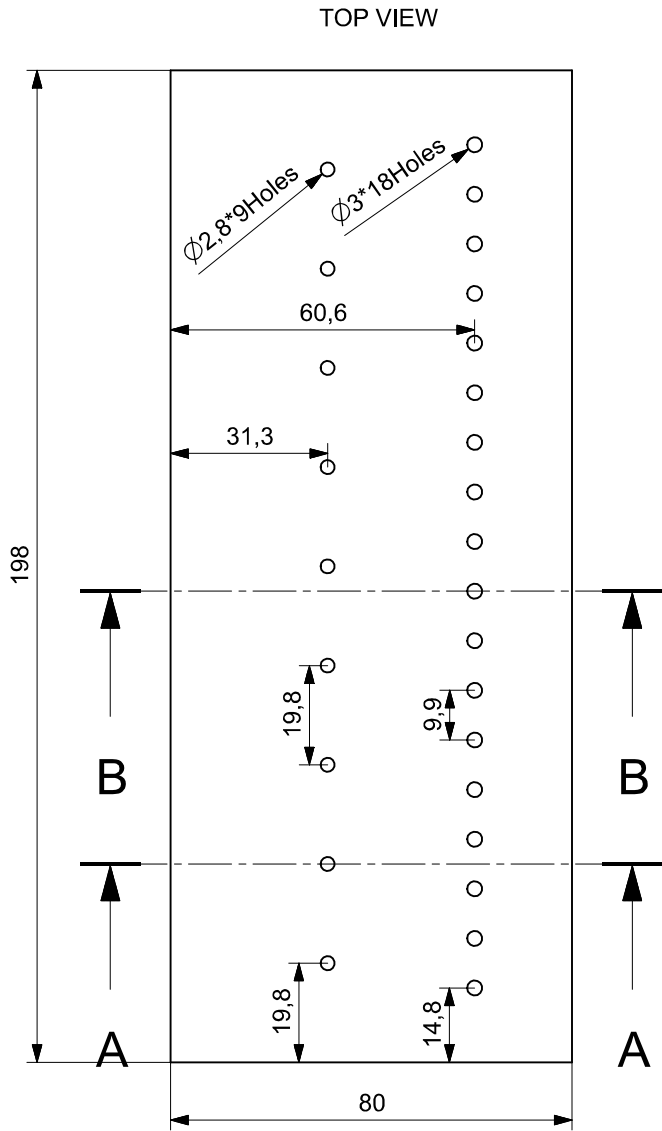


ISOMETRIC VIEW



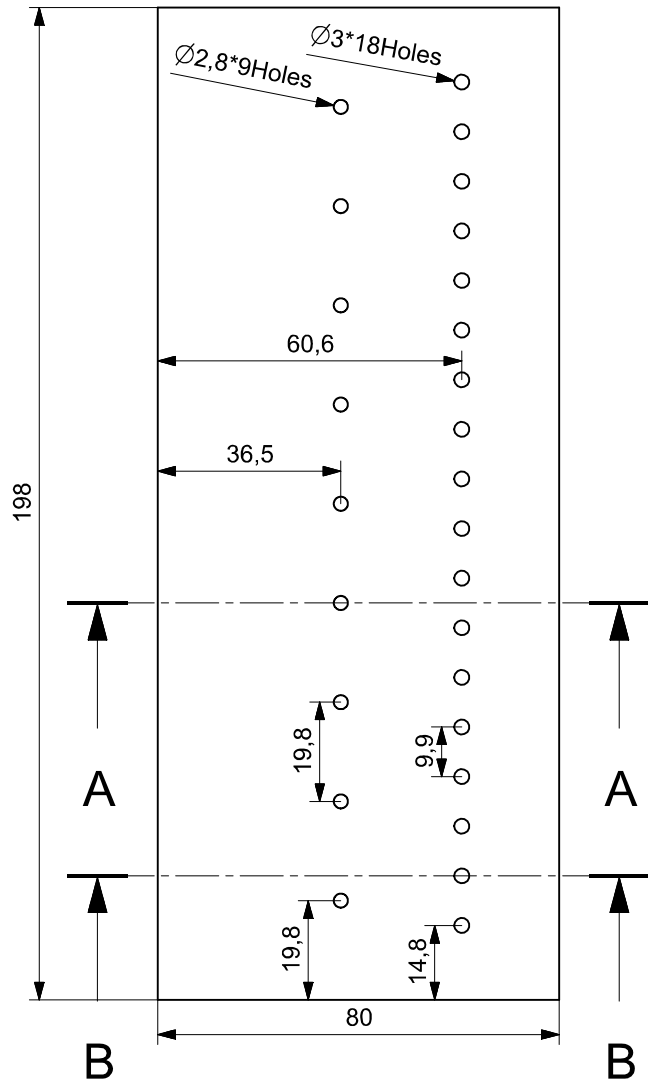
SECTION A-A

PART NAME	BOTTOM PLATE_120 DEG INCLINED
QUANTITY	02 NO'S
TOLERANCE	+/- 0.2 mm
100% TRANSPARENT AND 99.9% QUARTZ PURITY	
ALL DIMENSIONS ARE IN mm	

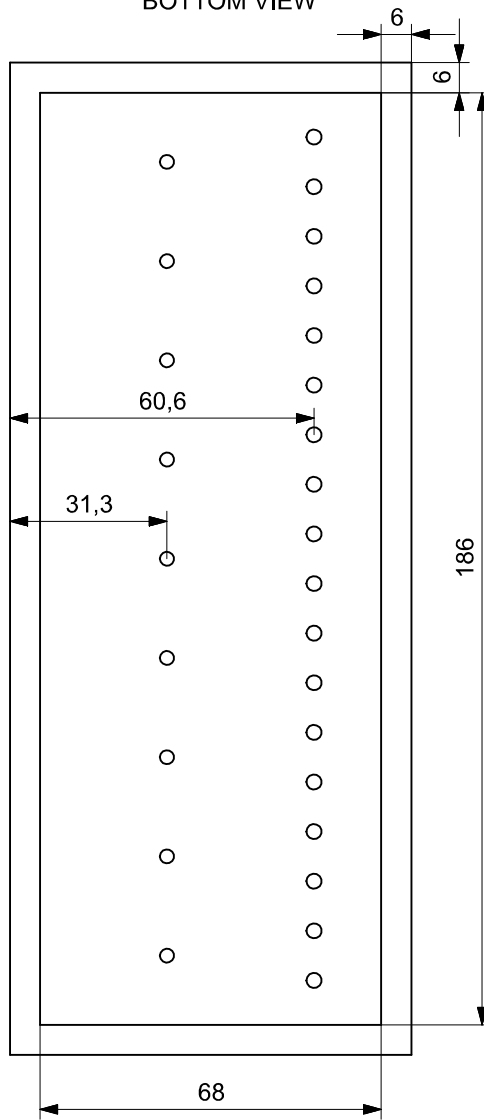


PART NAME	TOP PLATE_0 DEG STRAIGHT
QUANTITY	02 NO'S
TOLERANCE	+/- 0.2 mm
100% TRANSPARENT AND 99.9% QUARTZ PURITY	
ALL DIMENSIONS ARE IN mm	

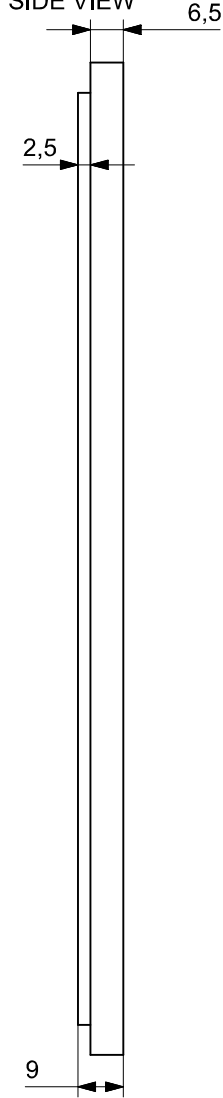
TOP VIEW



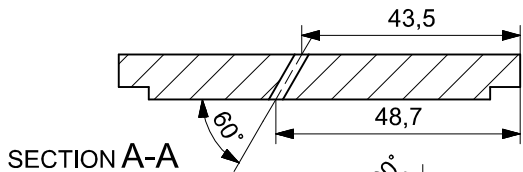
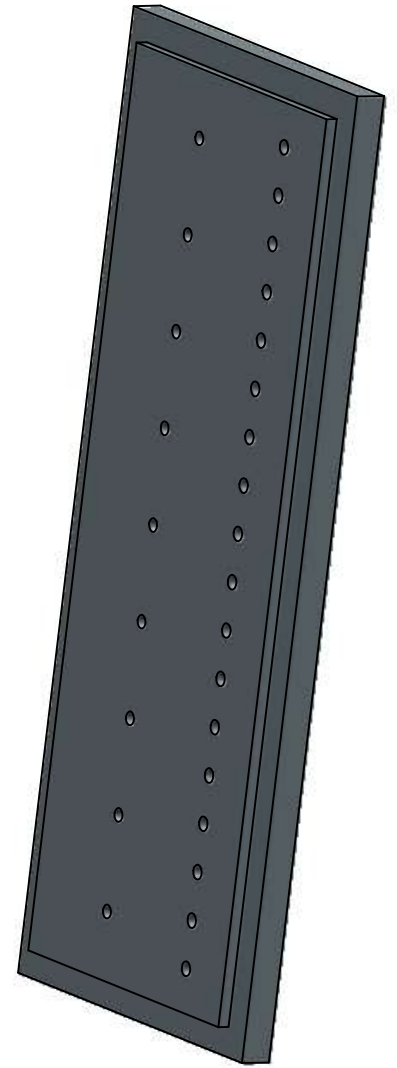
BOTTOM VIEW



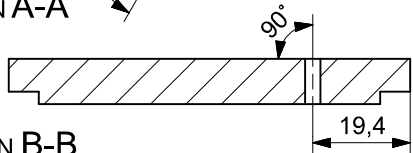
SIDE VIEW



ISOMETRIC VIEW

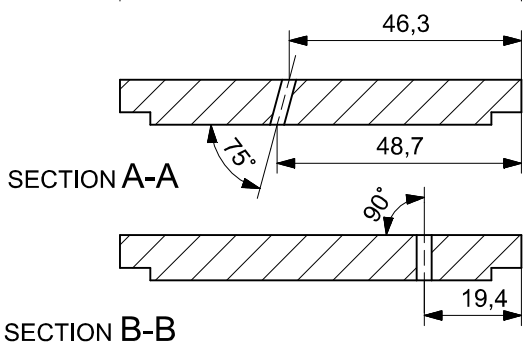
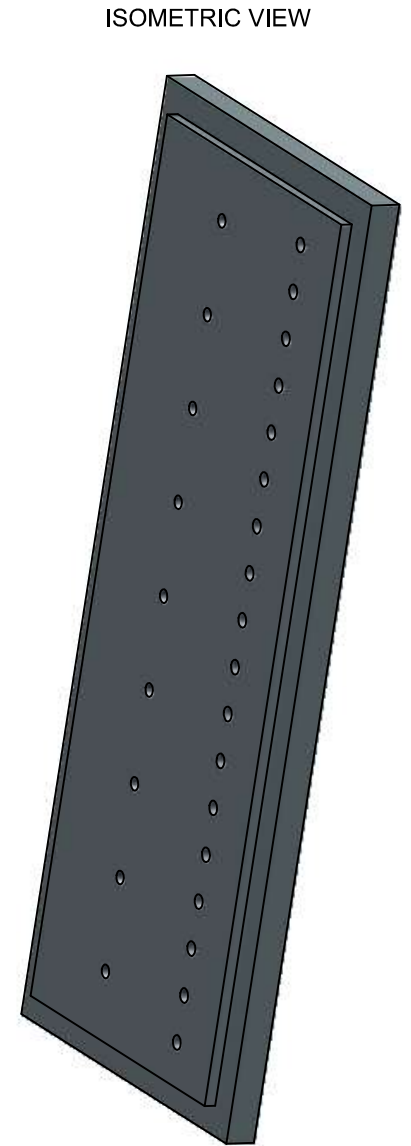
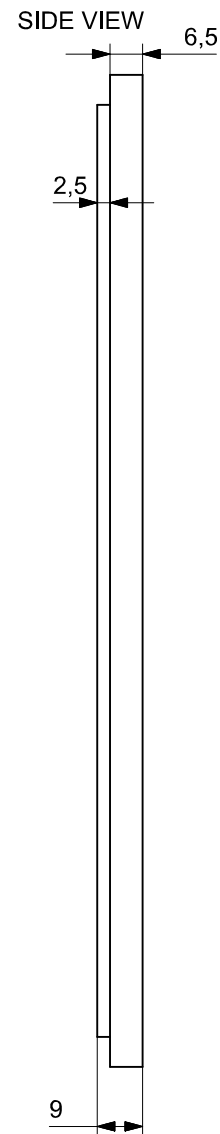
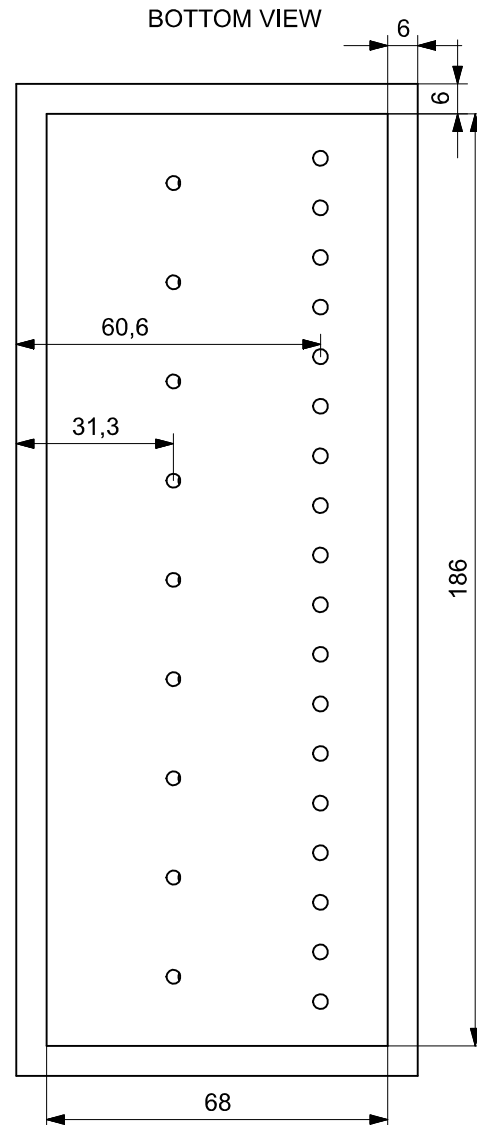
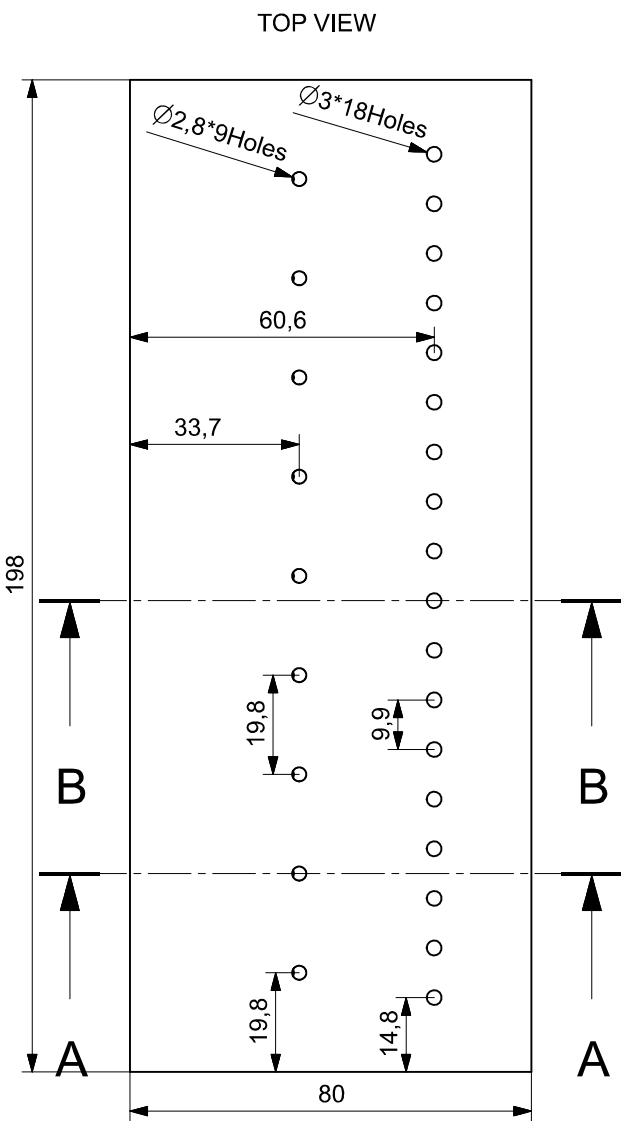


SECTION A-A



SECTION B-B

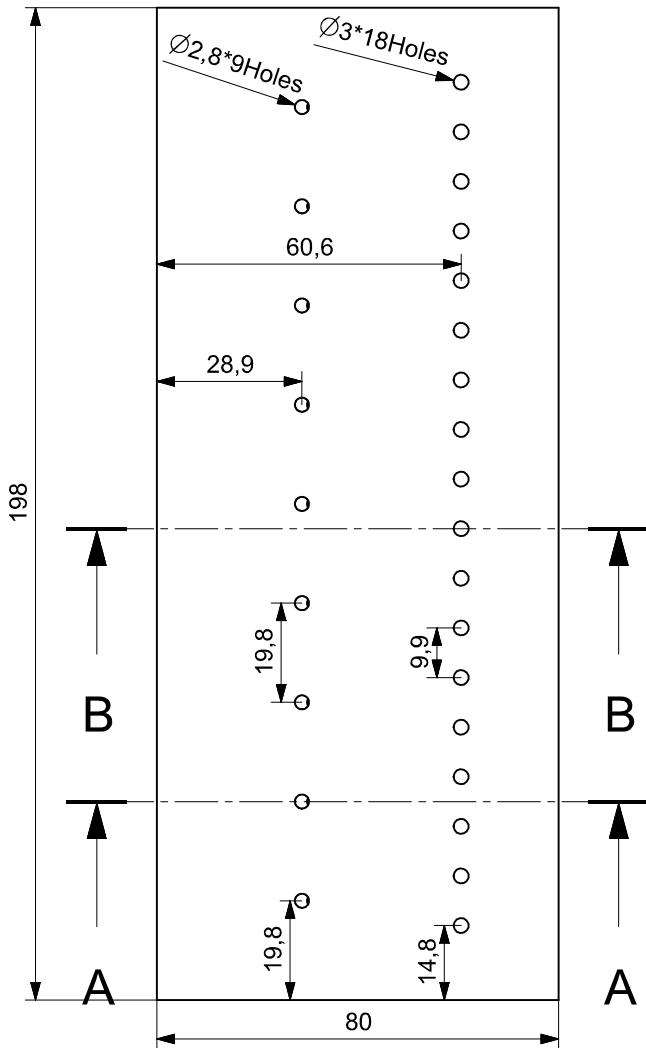
PART NAME	TOP PLATE_60 DEG INCLINED
QUANTITY	02 NO'S
TOLERANCE	+/- 0.2 mm
100% TRANSPARENT AND 99.9% QUARTZ PURITY	
ALL DIMENSIONS ARE IN mm	



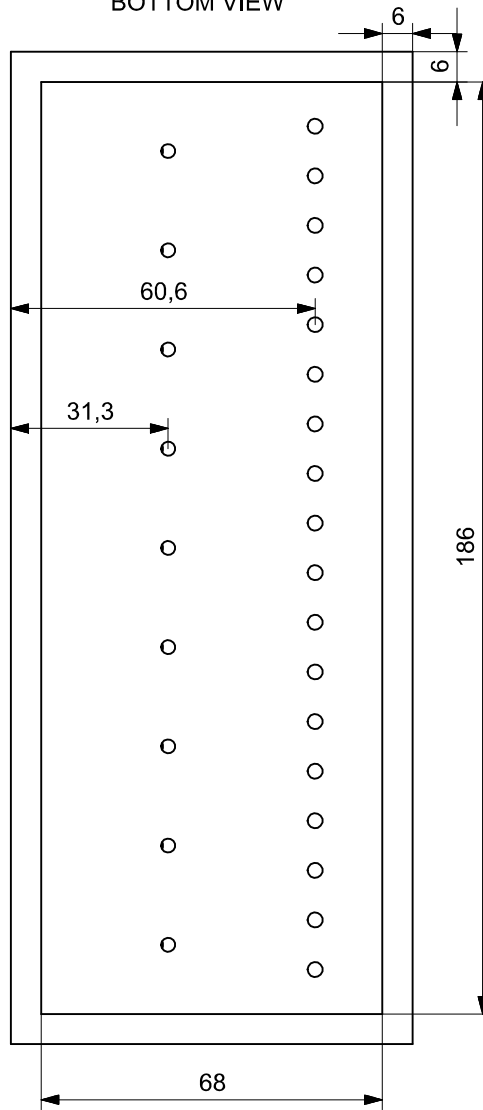
PART NAME	TOP PLATE_75 DEG INCLINED
QUANTITY	02 NO'S
TOLERANCE	+/- 0.2 mm
100% TRANSPARENT AND 99.9% QUARTZ PURITY	
ALL DIMENSIONS ARE IN mm	



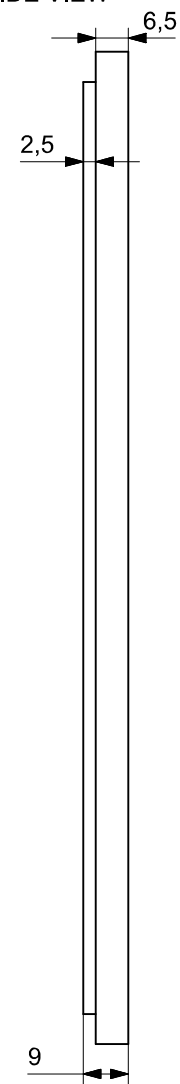
TOP VIEW



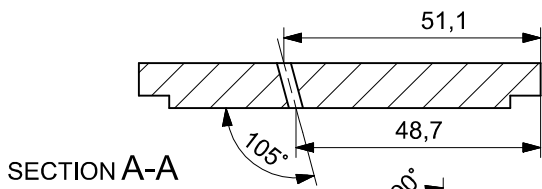
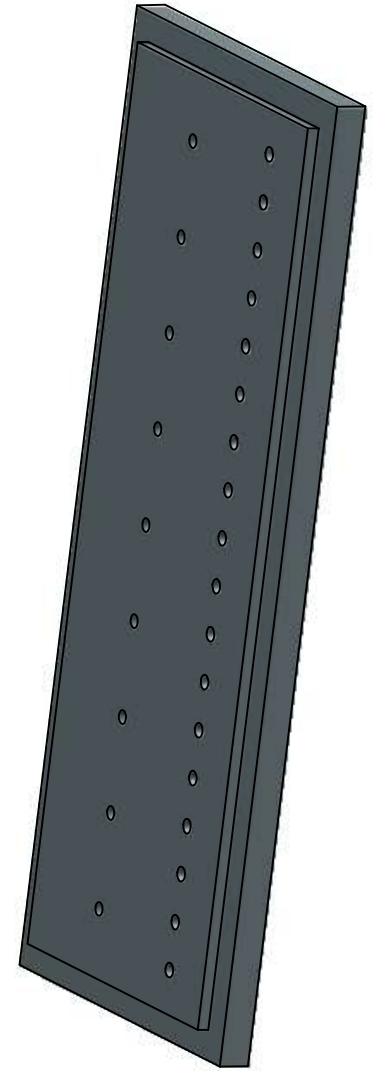
BOTTOM VIEW



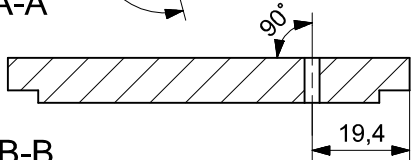
SIDE VIEW



ISOMETRIC VIEW



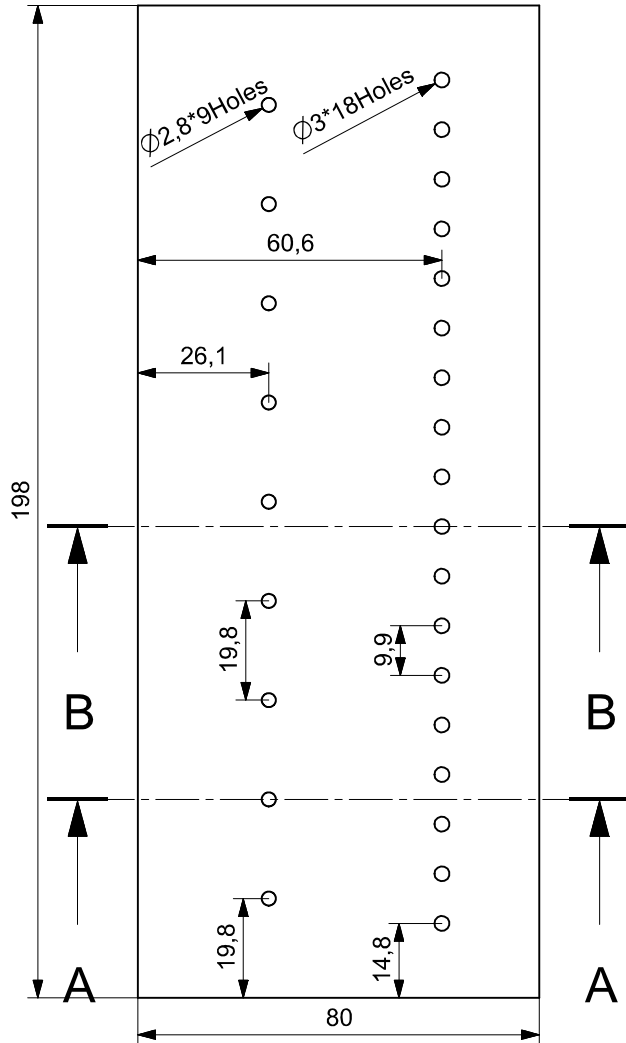
SECTION A-A



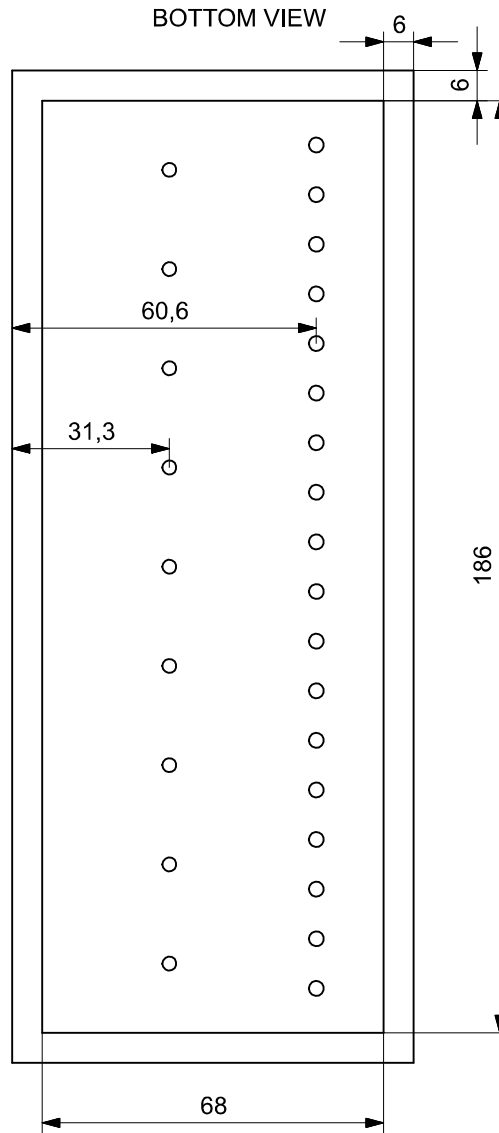
SECTION B-B

PART NAME	TOP PLATE_105 DEG INCLINED
QUANTITY	02 NO'S
TOLERANCE	+/- 0.2 mm
100% TRANSPARENT AND 99.9% QUARTZ PURITY	
ALL DIMENSIONS ARE IN mm	

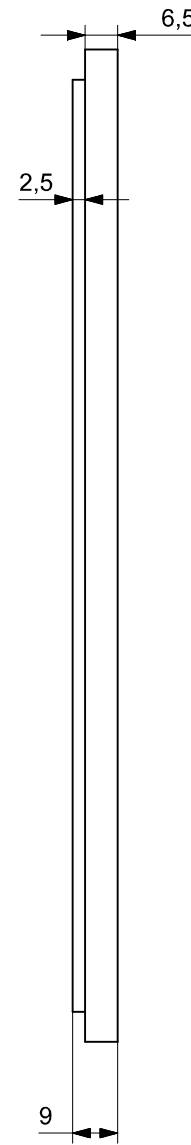
TOP VIEW



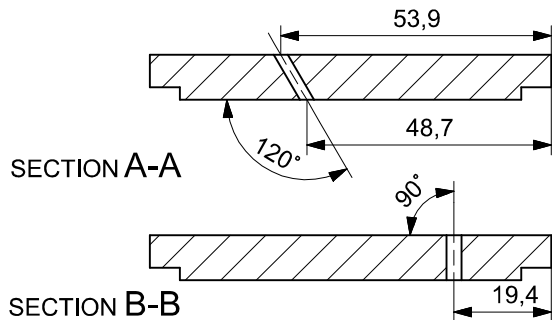
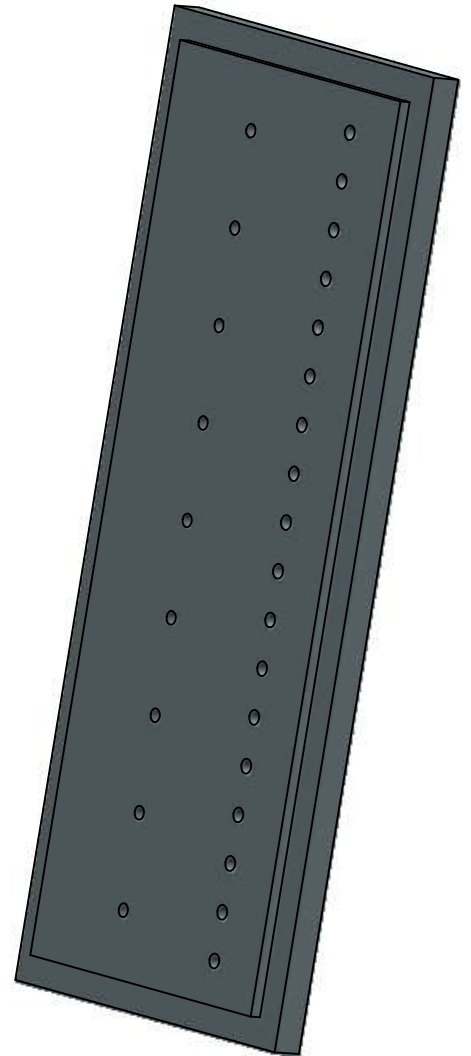
BOTTOM VIEW



SIDE VIEW



ISOMETRIC VIEW



PART NAME	TOP PLATE_120 DEG INCLINED
QUANTITY	02 NO'S
TOLERANCE	+/- 0.2 mm
100% TRANSPARENT AND 99.9% QUARTZ PURITY	
ALL DIMENSIONS ARE IN mm	