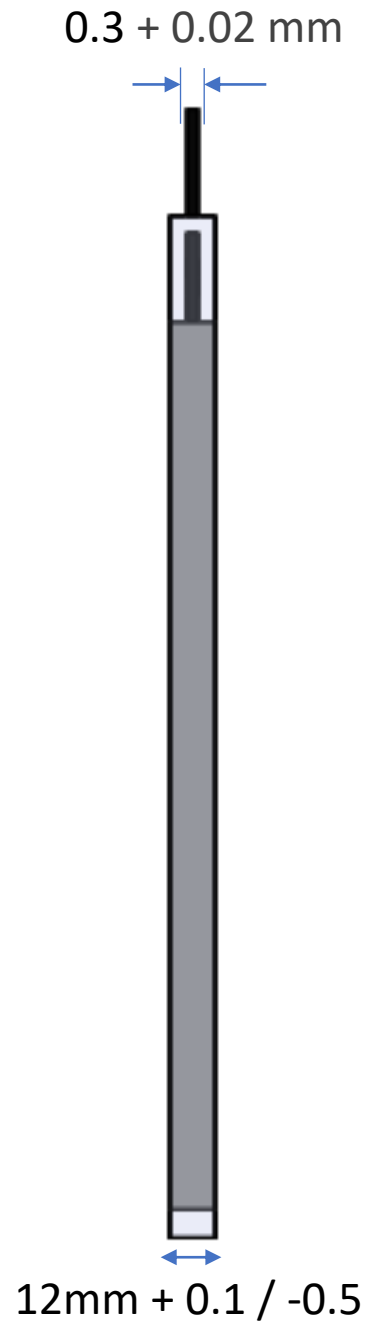
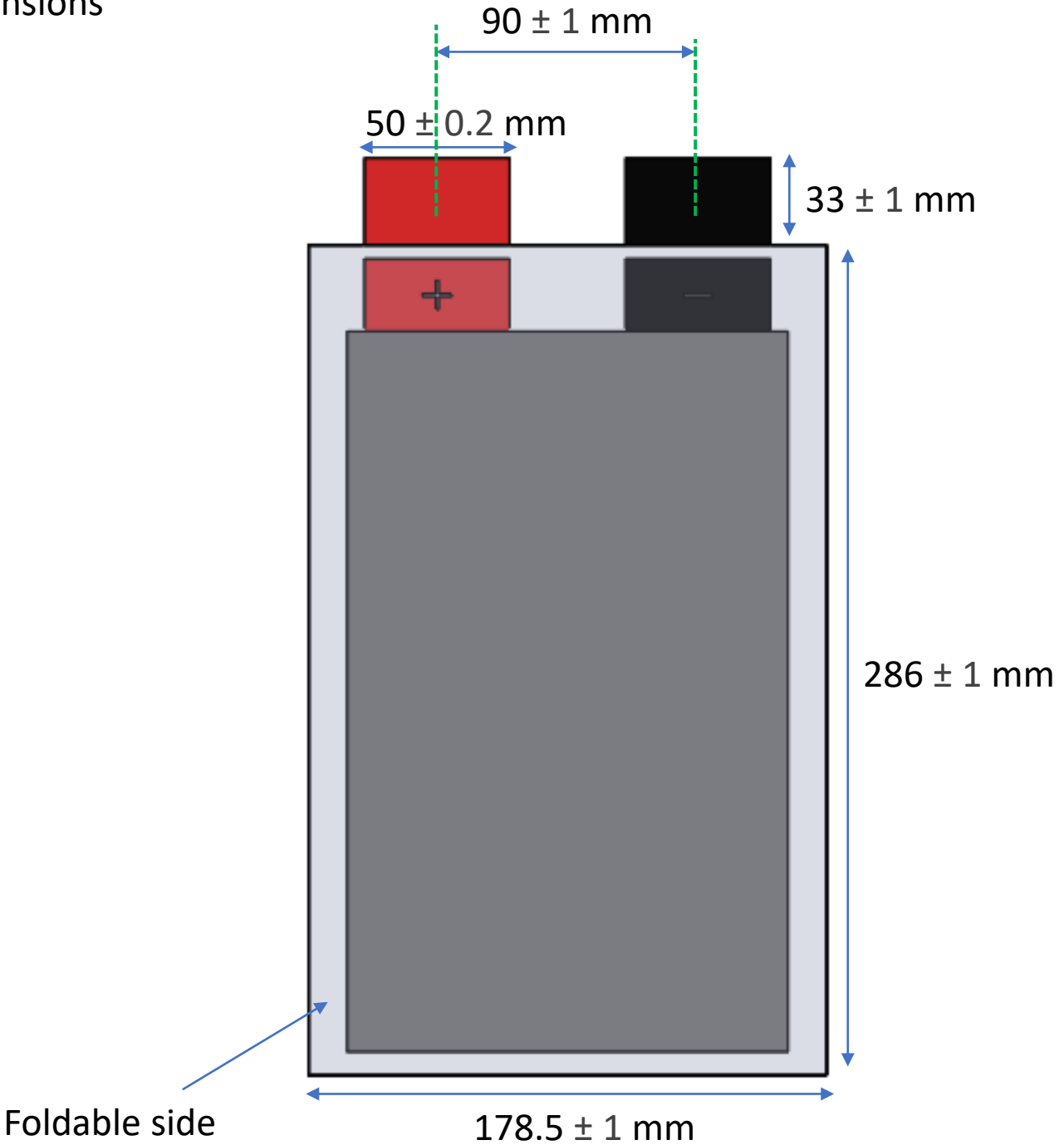
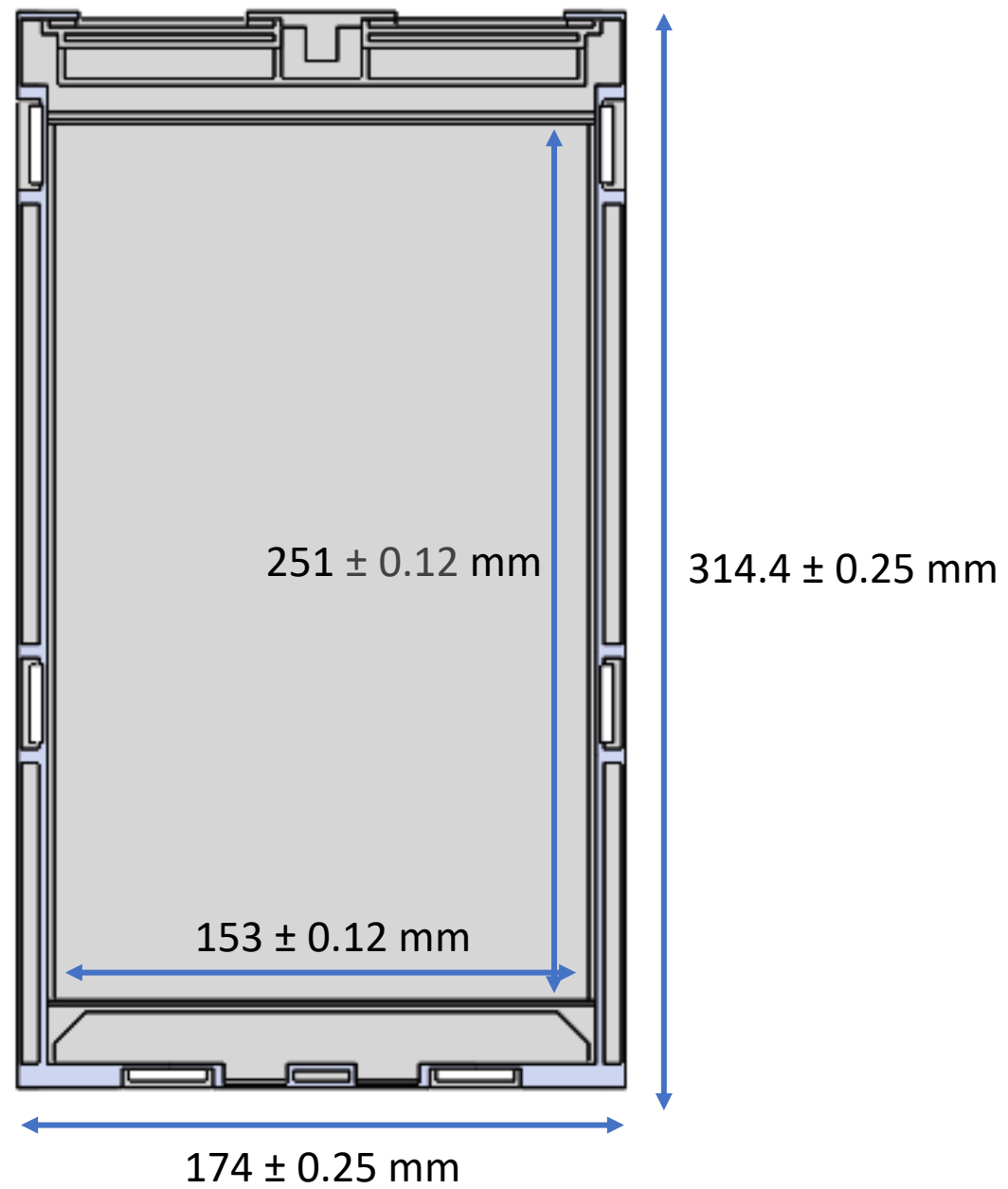


Cell dimensions

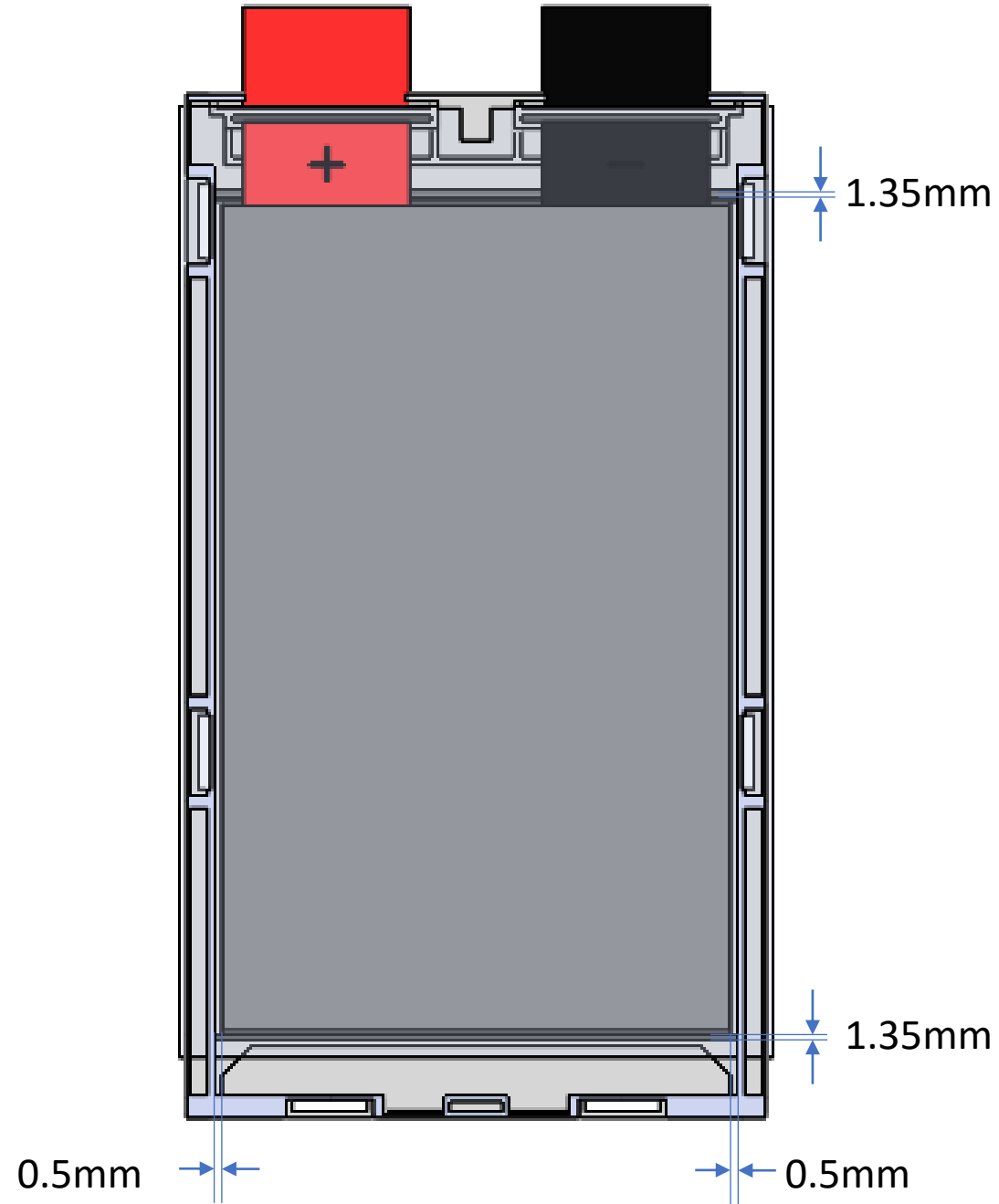


Cell holder dimensions



174 ± 0.25 mm
Cell holder dimensions

With foldable sides



Without foldable sides

