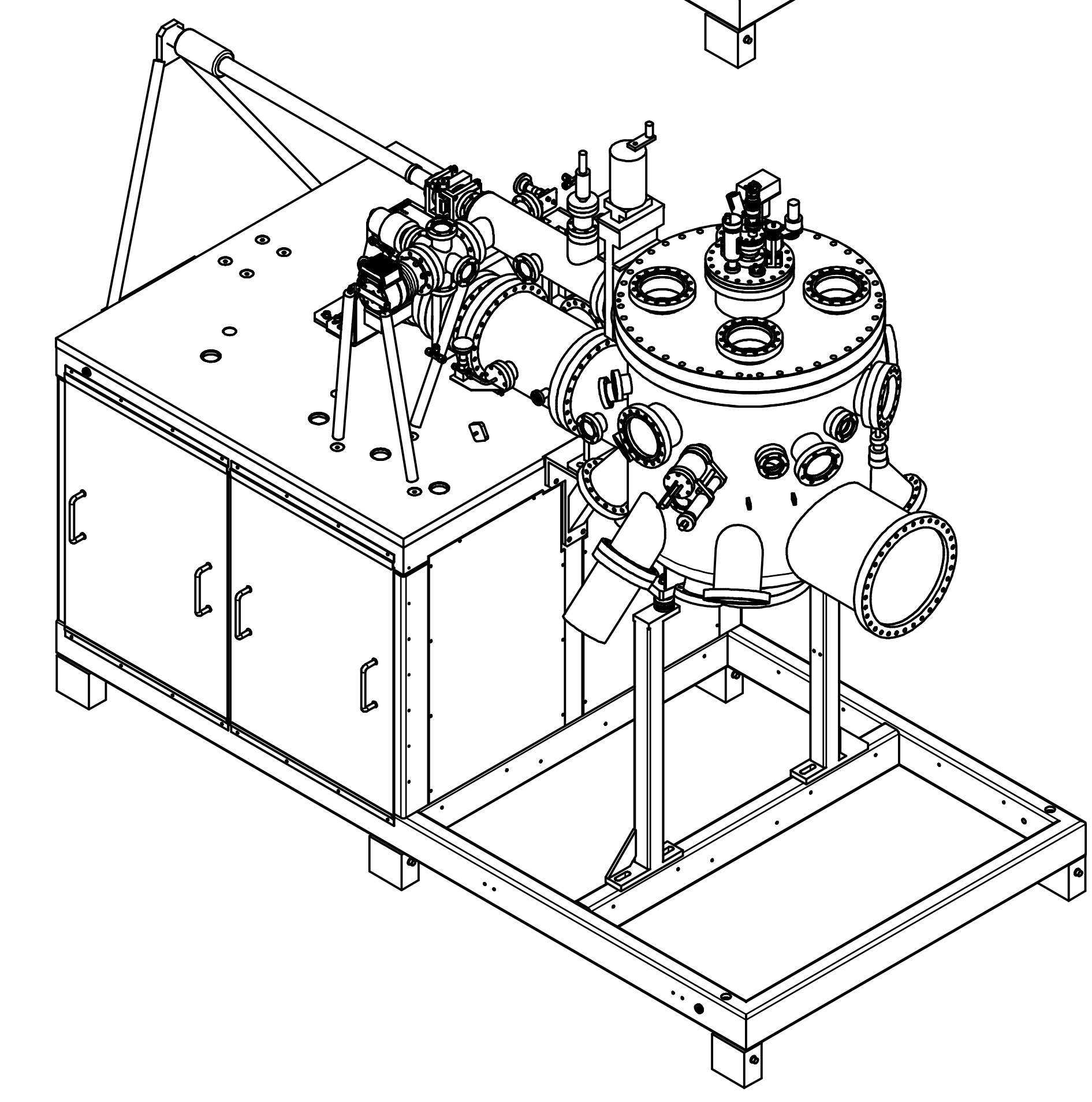
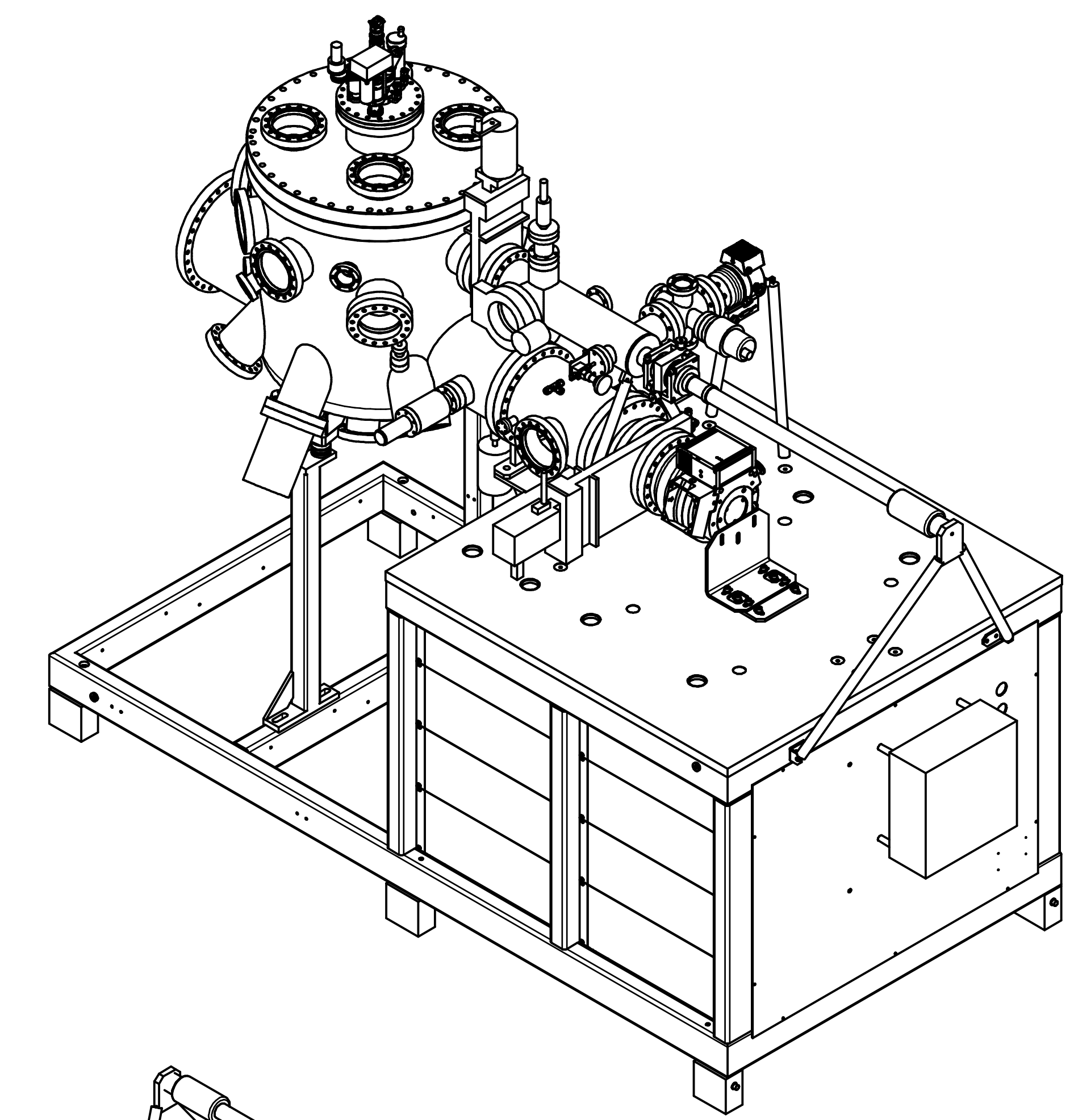
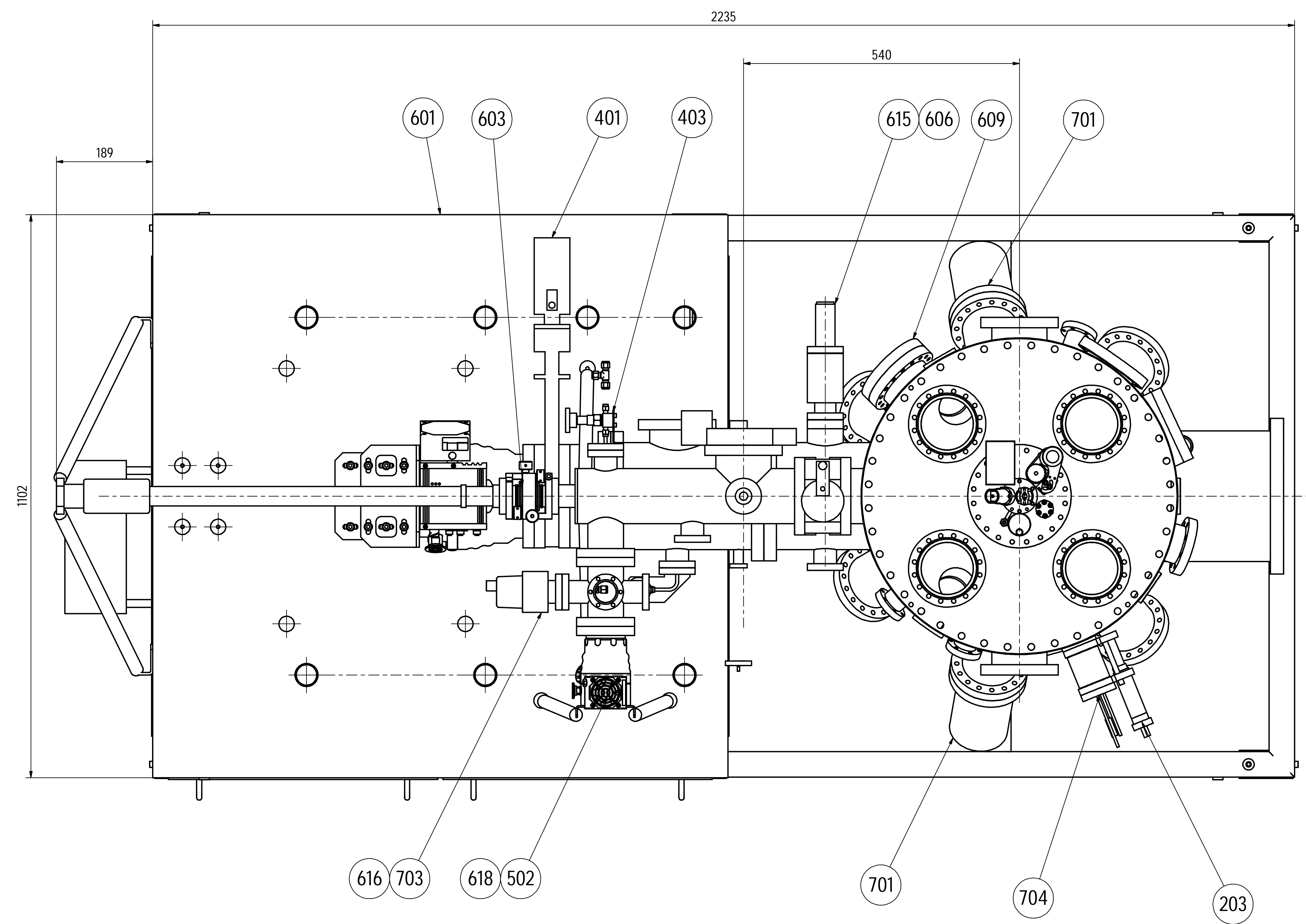


X (1:5)



Pos.	Menge	Artikel-Nr.	Benennung	Dokument-Nr.
101	1	R212473	SPUTTER CHAMBER	468-0102
102	1	R212509	FIL CHAMBER	468-0104
201	1		2" Manipulator L=279mm (UHV Design)	
202	1	PN02580	Power Probe 24" PP35-610-H/O - CF70 (UHV Design)	KT-0708
203	1	D1905	Linear Transfer Mech CF70 ZLTMSQ (VG)	KT-0429
301	1	R205503	WAFFER FORK (2") ASSY	237-0075
401	1		YAT-UHV-Schieber DN100CF pneumatisch	KT-0609
402	1	F1854	YAT-UHV-Schieber DN100CF handbetätigt	KT-0367
403	1	R205950	MUPRO VENT VALVE (CF70) ASSY	156-0013
404	1	R209485	MUPRO VENT VALVE 90° LH (CF70) ASSY	901-0094
501	1	PH03789	TURBO PUMP HPAGE 700 DN150 CF (Pfeiffer)	KT-0794
502	1	PH03778	TURBO PUMP HPAGE 80 DN63 CF (Pfeiffer)	KT-0465
601	1	R212557	SYSTEM BENCH G.A. (Kasiviswanathan)	468-0202
602	1	R212506	MBE CHAMBER FLANGE O.D. 620 mm	468-0111
603	1	CA08297	X, Y AND TILT STAGE (CF70 x 90)	GA02-2597-2 (UK)
604	1	R212505	POWERPROBE EXTENSION 360 mm ASSY	468-0146
605	1	CA03133	QUICK-ACCESS VIEWPORT DOOR - QD-600-VP-CH (CABURN MDC)	KT-1231
606	1	CA00539	ION GAUGE ADAPTOR	WA10-1044-3 (UK)
607	1	CA04890	STAB-IN HEATER (220V)	KT-0880
608	1	R212503	THROTTLE VALVE ADAPTOR (CF200) ASSY	468-0152
609	2	CA03427	VIEWPORT SHUTTER CF150 - FSH 100-B (MBE Komponenten)	KT-0713
611	1	S171403	SPACER CF70/CFR70-44 x 70	226-0275
614	1	R212562	ADAPTOR CF260/CF200 x 80	468-0166
615	1	PN00228	VICIB UHV Ion Gauge Head (VG)	KT-0352
616	1	R208517	6-WAY CROSS DW63/0M40	355-0007
617	2	R208105	ZB Kugelausgleichselement (7mm, M12)	343-0054
618	1	R212736	TURBO PUMP SUPPORT	468-0040
619	1	R212735	ADAPTOR CF265/CFR14 x 60	468-0006
701	2	R212498	MAGNETRON MAX 2" L = 350 (Mn/In)	KT-1319
702	1	PN00894	Baratron Manometer Type 121 (MKS)	KT-0832
703	1	F200305	UHV Compact full range CC gauge PKR261 DN40CF-F (Pfeiffer)	KT-0378
704	1		Film Thickness Monitor (CABURN MDC)	KT-0449

b Pos. 203, 404, 616-618, 703, 704 added Pos. 403 1x and Pos. 610, 612, 613 removed  
 19.10.2012 TSCHIRNER  
 a Original 30.08.2012 ROCOS