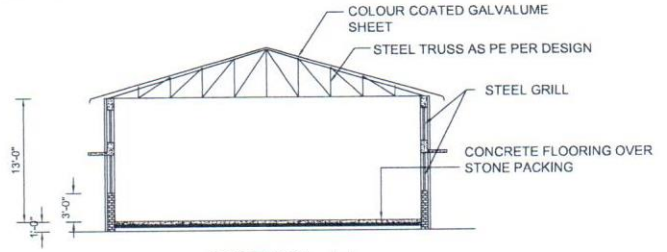
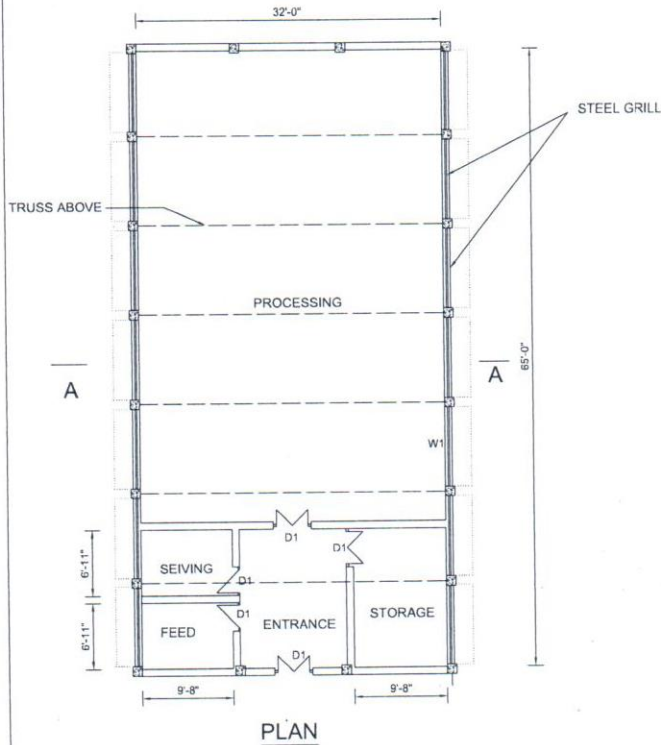


**ELEVATION**



**SECTION - AA**



**PLAN**

D1 -DOOR - 4'0" X 7'0"

D2 -DOOR - 4'0" X 7'0"

W1 - WINDOW 3'0" X 4'0"

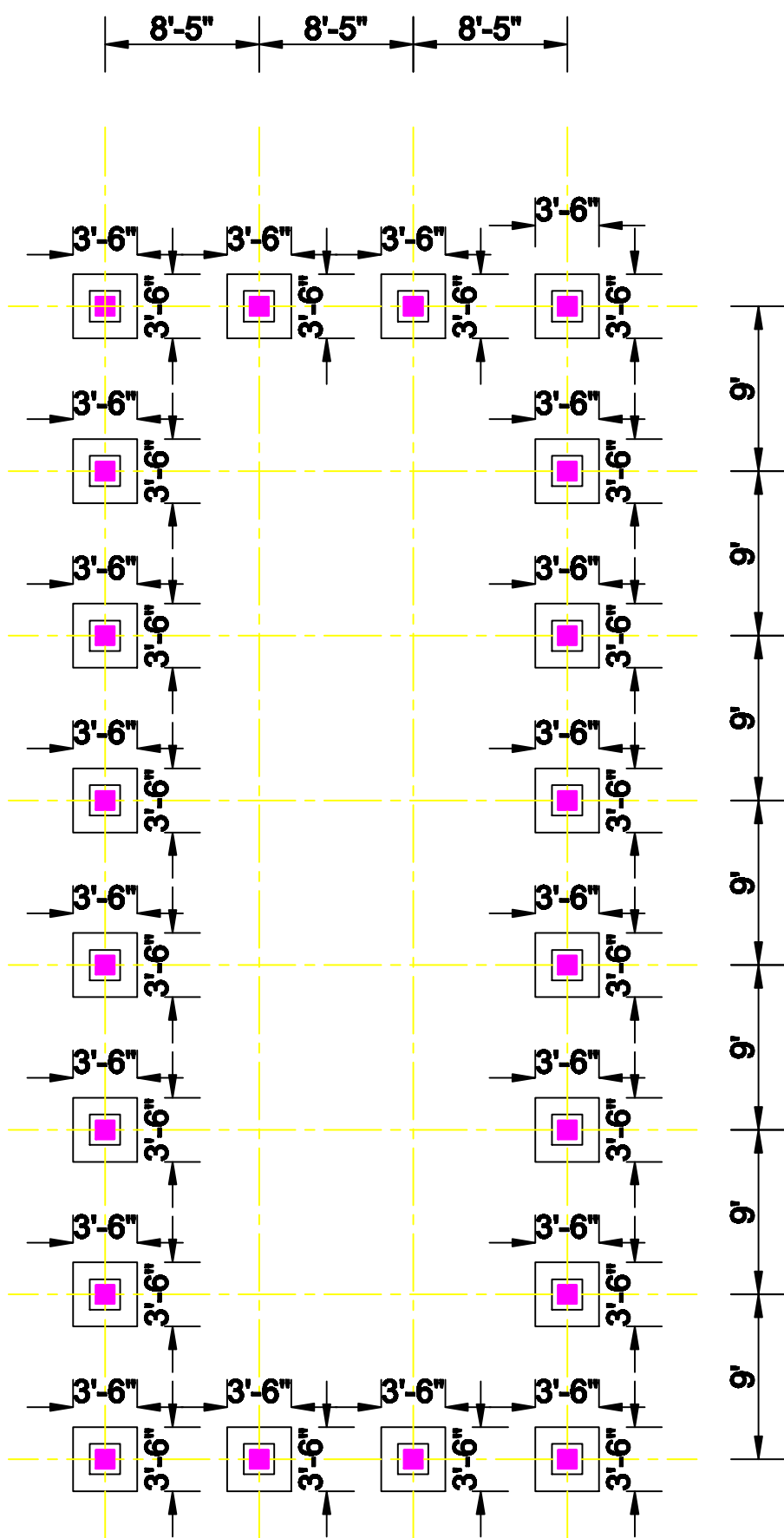
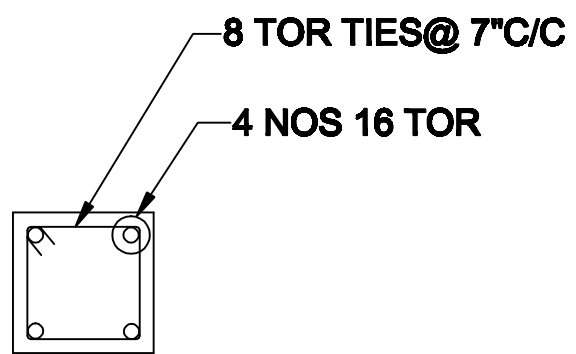
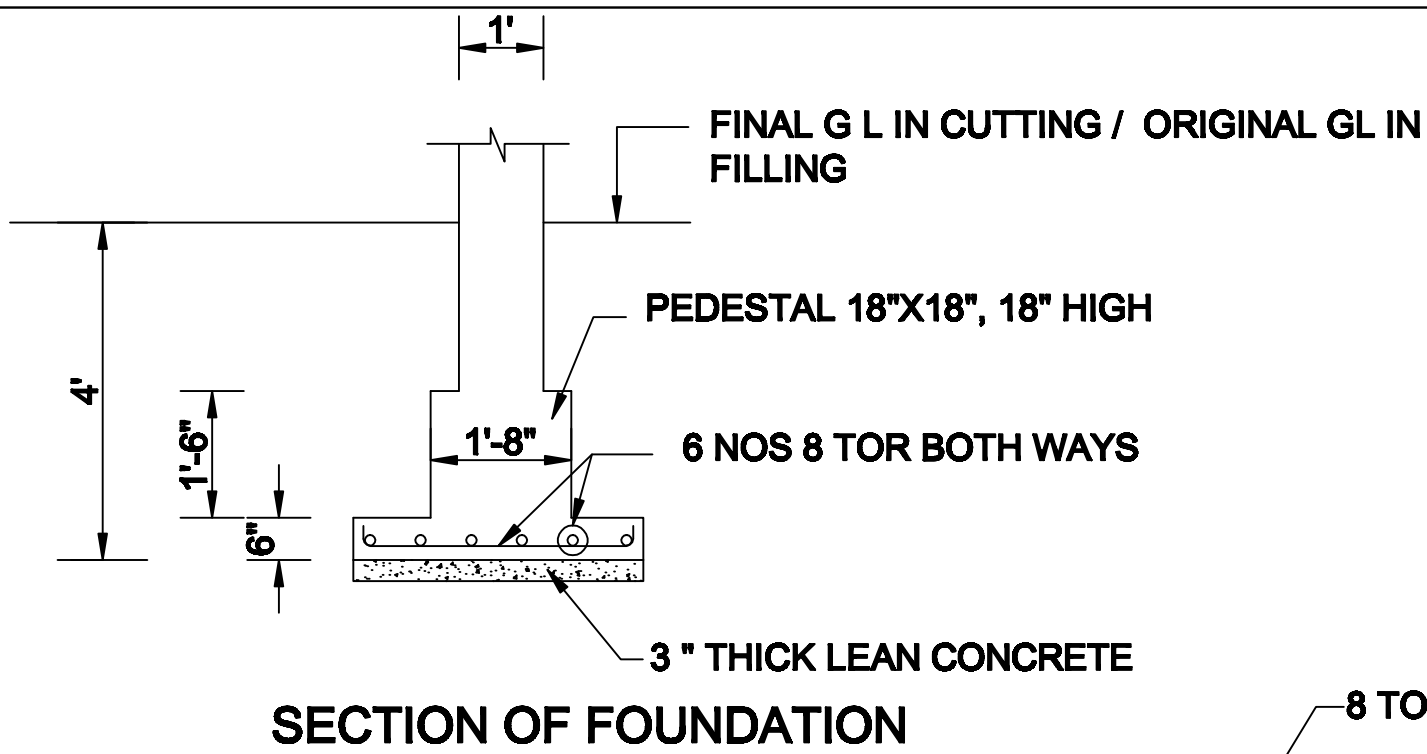
**CONSTRUCTION OF COMPOSTING PLANT**

**GENERAL PLAN**

DESIGNED  
K. B  
DRAWN  
K. B

CHECKED  
APPROVED

DRG NO  
COM PLNT/ ARCH-001  
REV NO

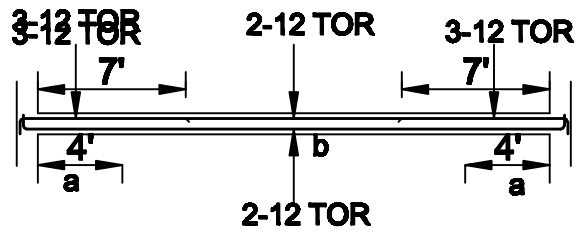


**DETAIL OF COLUMN**

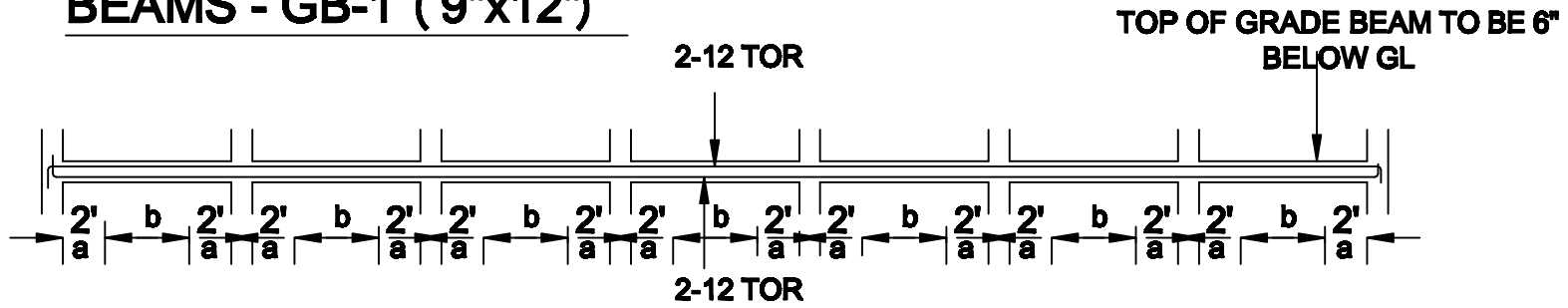
SBC IS ASSUMED AS 15 TONNE SPER SQM  
 CONCRETE - M 25 GRADE  
 STEEL Fe415/ 500 GRADE  
 COVER  
 FOUNDATION - 2"  
 COLUMN - 1 1/2"

<b>CONSTRUCTION OF COMPOSTING PLANT</b>		
<b>DETAILS OF FOUNDATIONS AND COLUMNS</b>		
DESIGNED	DESIGNED	DRG NO COMPLNT/S.1
DESIGNED	DESIGNED	REV NO R0-DTD-18-6-17

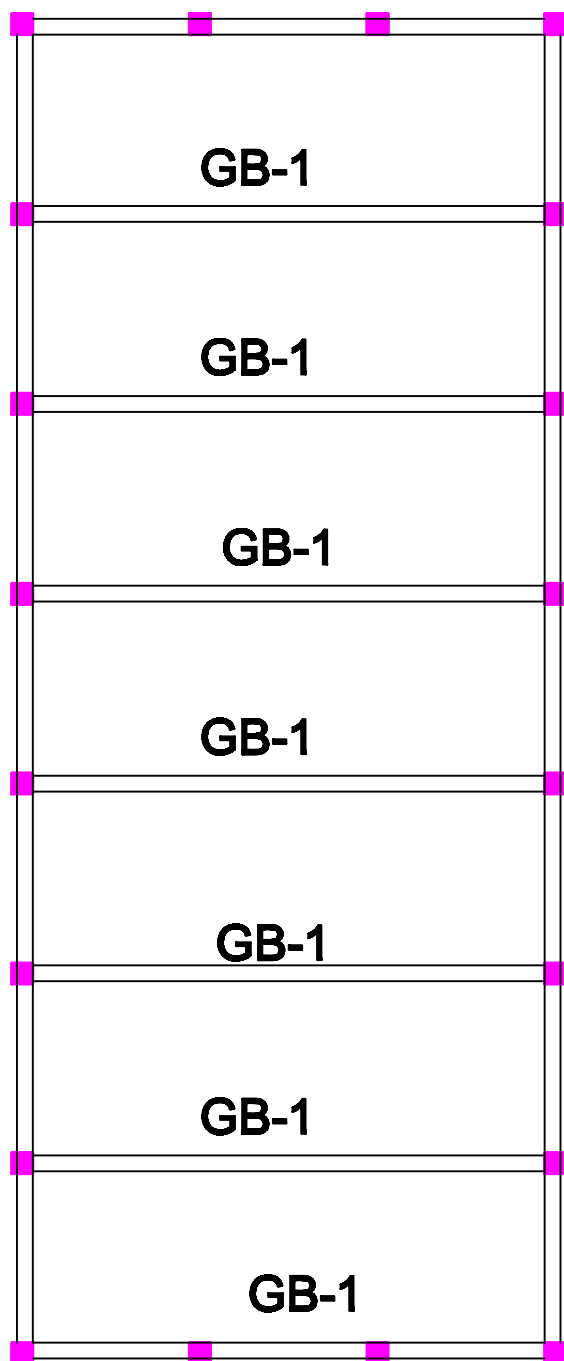
SBC IS ASSUMED AS 15 TONNE SPER SQM  
 CONCRETE - M 25 GRADE  
 STEEL Fe415/ 500 GRADE  
 COVER  
 FOUNDATION - 2"  
 COLUMN - 1 1/2"



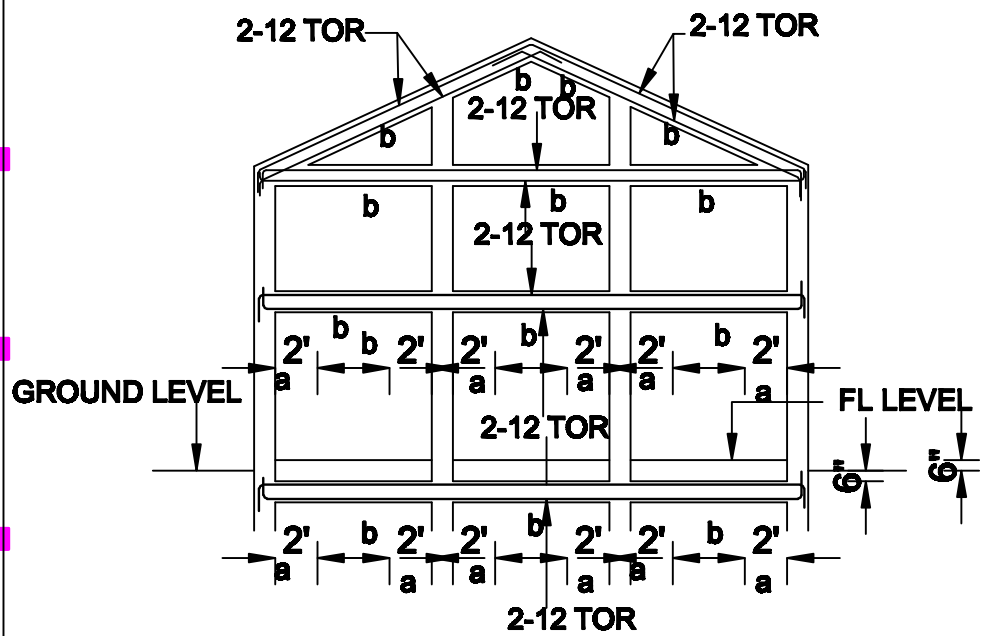
**BEAMS - GB-1 (9"x12")**



**LONGER BEAMS AT GRADE LEVEL, LINTEL LEVEL AND AT TOP OF WALL  
 9"x12"**



**PLAN - GRADE BEAMS**



**BEAMS OF CABLE WALL (9"x12")**

**CONSTRUCTION OF  
 COMPOSTING PLANT**

**DETAILS OF GRADE BEAMS, LINTEL  
 BEAMS, ROOF BEAMS ETC**

DESIGNED K.B	APPROVED	DRG NO COMPLNT/S.2
DRAWN K.B	ACCEPTED	REV NO R0-DTD-18-6-17