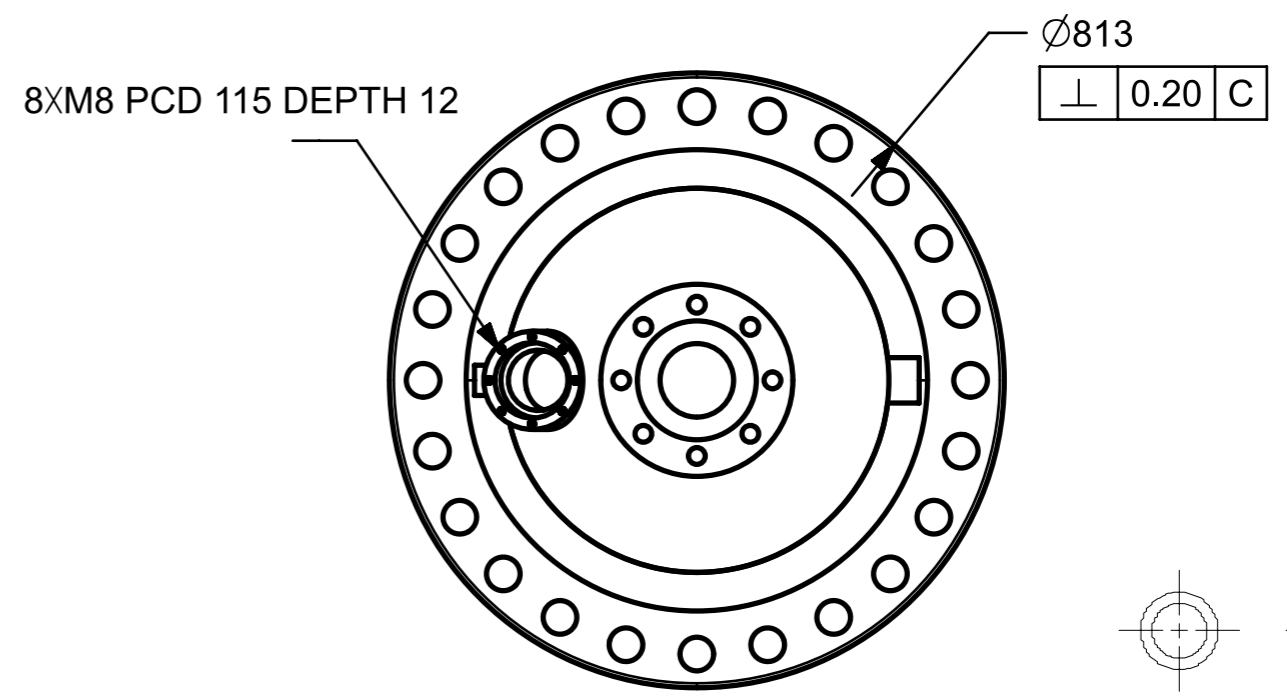
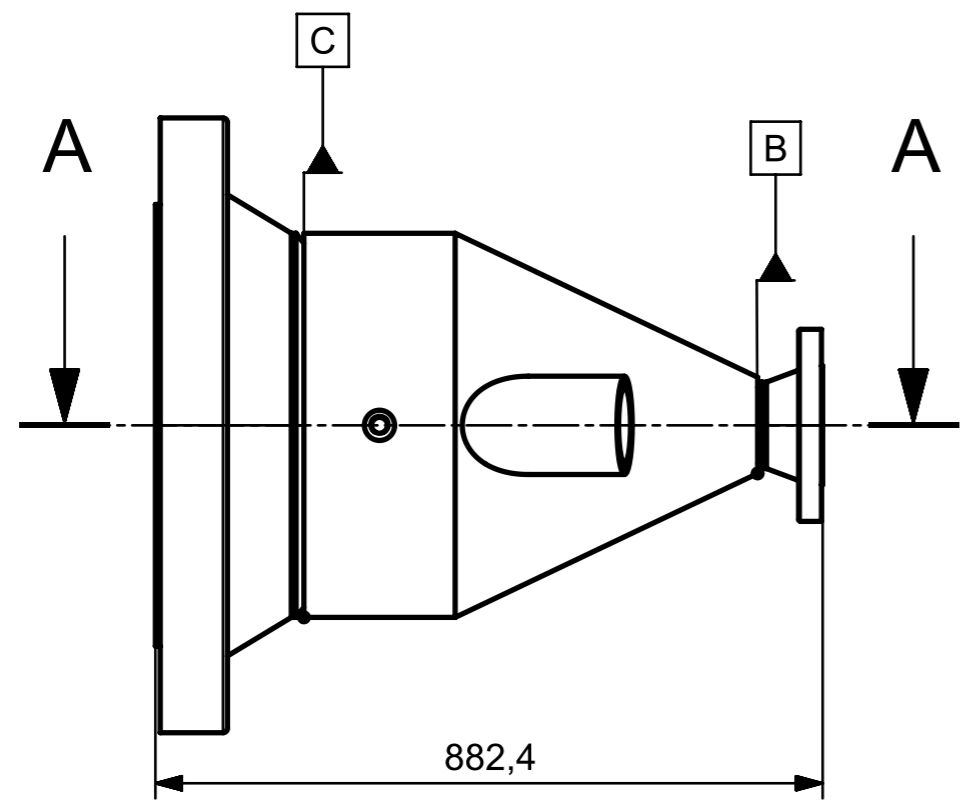
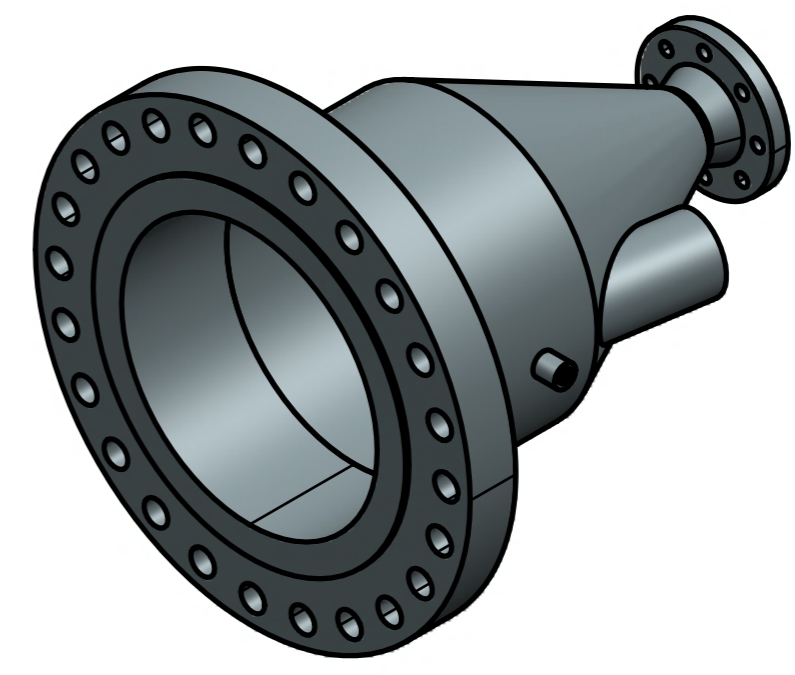
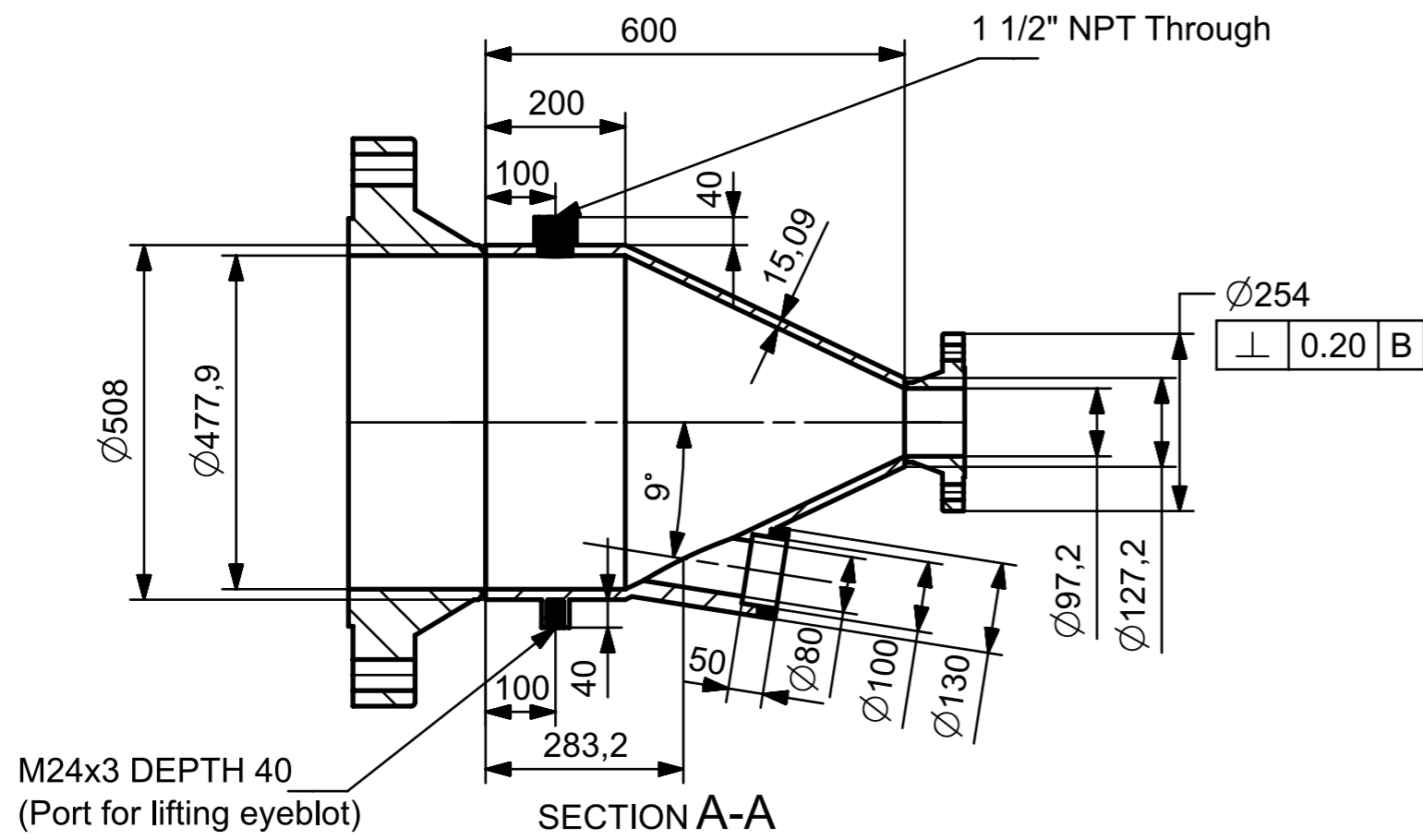


1 2 3 4 5 6 7 8


A B C D E F

A B C D E F



a) Tolerance is acceptable as per IS 2102 (1983) GD&T

*Handwritten signature*

 DEPARTMENT OF AEROSPACE ENGINEERING INDIAN INSTITUTE OF TECHNOLOGY MADRAS		ALL DATA CONTAINED IN THIS DOCUMENT IS PROPRIETARY AND SHALL NOT BE DUPLICATED OR DISTRIBUTED WITHOUT THE CONSENT OF IITM	
DRAWN		Arbee	
CHECKED			
DATE		26/05/2020	
APPROVED			
TITLE		GE RIG	
PART NAME	EXHAUST SECTION	DWG NO	Dg 1014 R1
MATERIAL	SS 316	ALL DIMENTIONS ARE IN mm	

1 2 3 4 5 6 7 8