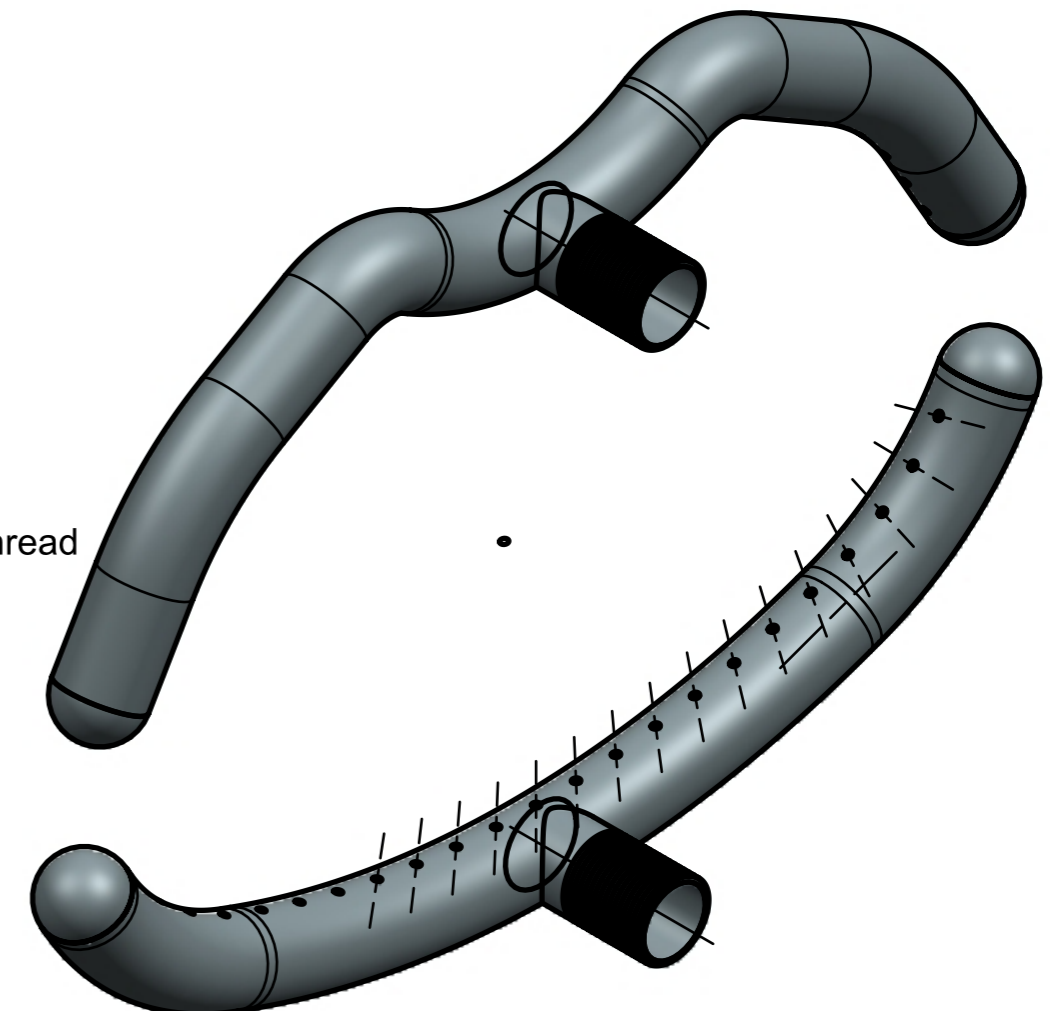
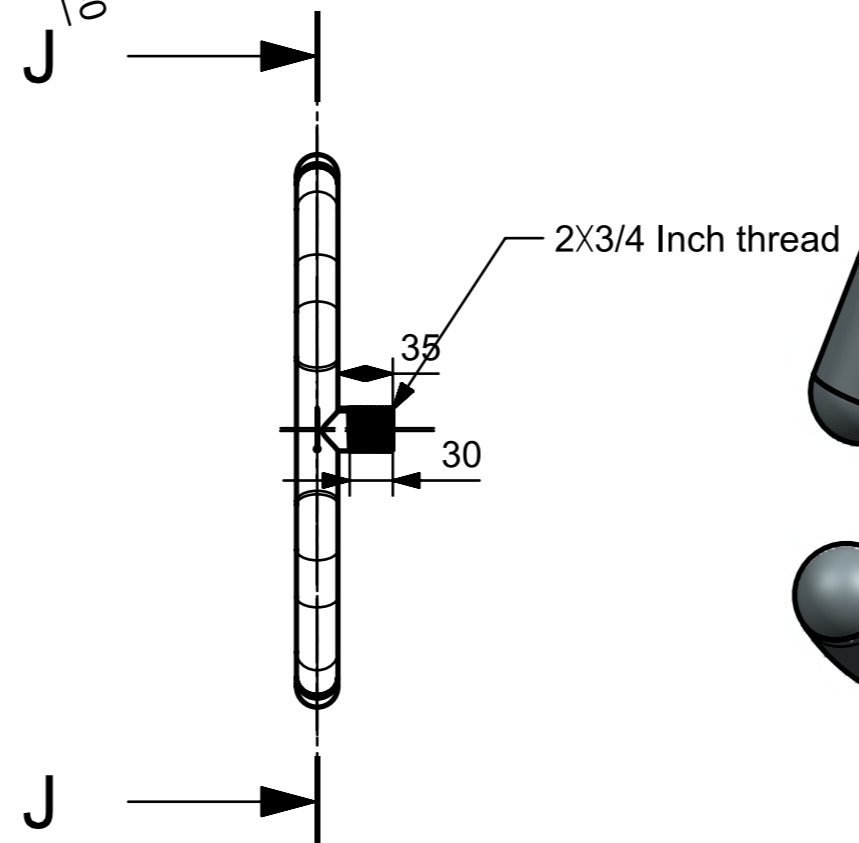



SECTION J-J



a) Tolerance is acceptable as per IS 2102 (1983) GD&T

*Handwritten signature*

 DEPARTMENT OF AEROSPACE ENGINEERING INDIAN INSTITUTE OF TECHNOLOGY MADRAS		ALL DATA CONTAINED IN THIS DOCUMENT IS PROPRIETARY AND SHALL NOT BE DUPLICATED OR DISTRIBUTED WITHOUT THE CONSENT OF IITM			
		TITLE GE RIG			
DRAWN	Arbee	PART NAME	Spray tube	DWG NO	Dg 1020 Sub 1
CHECKED		MATERIAL	SS 316	ALL DIMENSIONS ARE IN mm	
DATE	26/05/2020				
APPROVED					