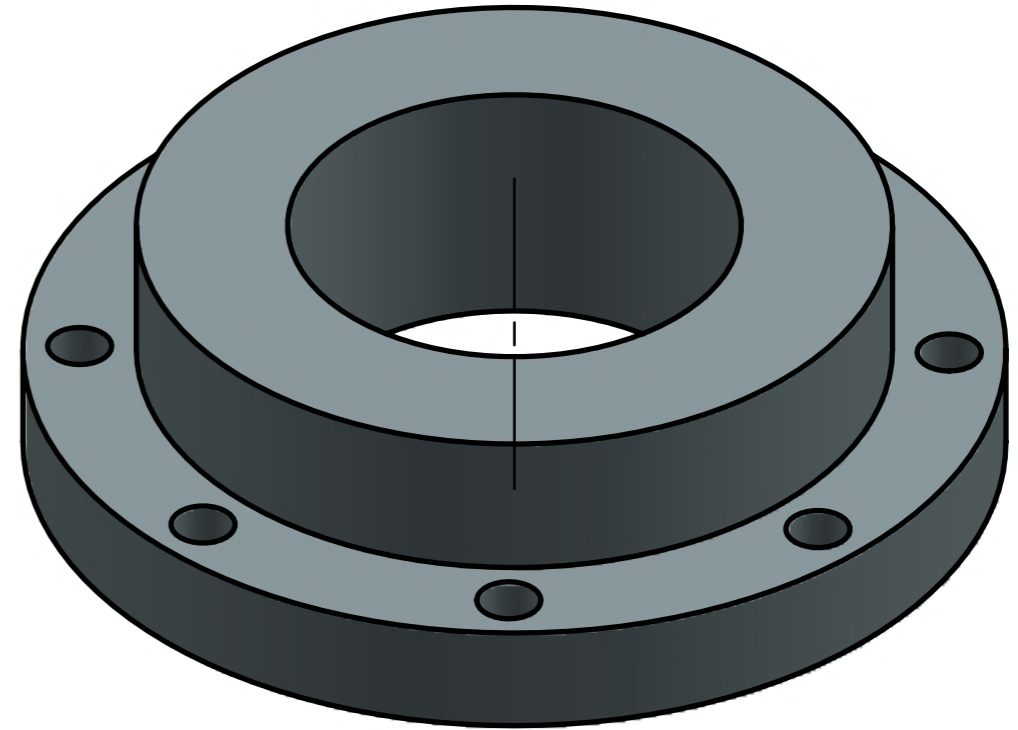
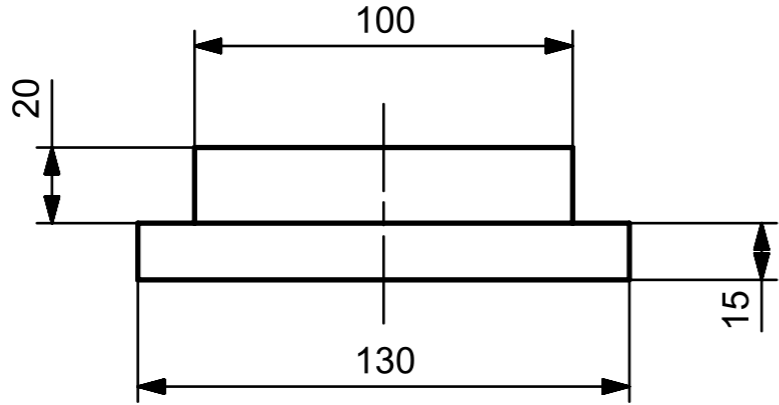



8x $\phi$ 9 Through

$\phi$ 60 Through



a) Tolerance is acceptable as per IS 2102 (1983) GD&T

*Handwritten signature*

		DEPARTMENT OF AEROSPACE ENGINEERING INDIAN INSTITUTE OF TECHNOLOGY MADRAS		ALL DATA CONTAINED IN THIS DOCUMENT IS PROPRIETARY AND SHALL NOT BE DUPLICATED OR DISTRIBUTED WITHOUT THE CONSENT OF IITM	
DRAWN		Arbee		TITLE GE RIG	
CHECKED				PART NAME View port coverplate DWG NO Dg 1021 Sub 1	
DATE		26/05/2020		MATERIAL SS 316 ALL DIMENTIONS ARE IN mm	
APPROVED					