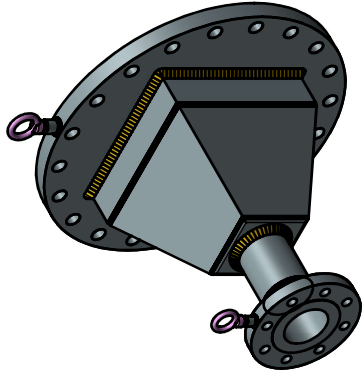
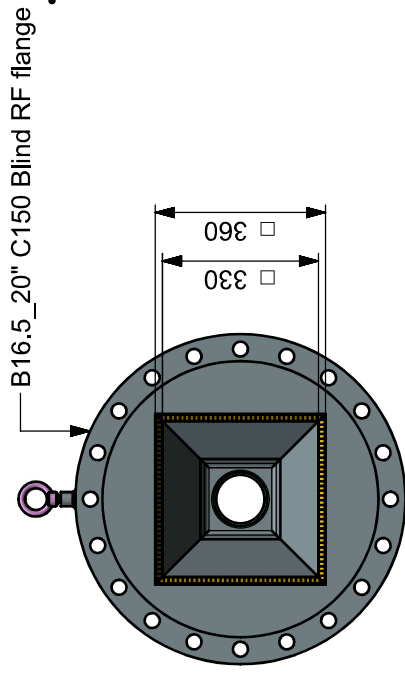
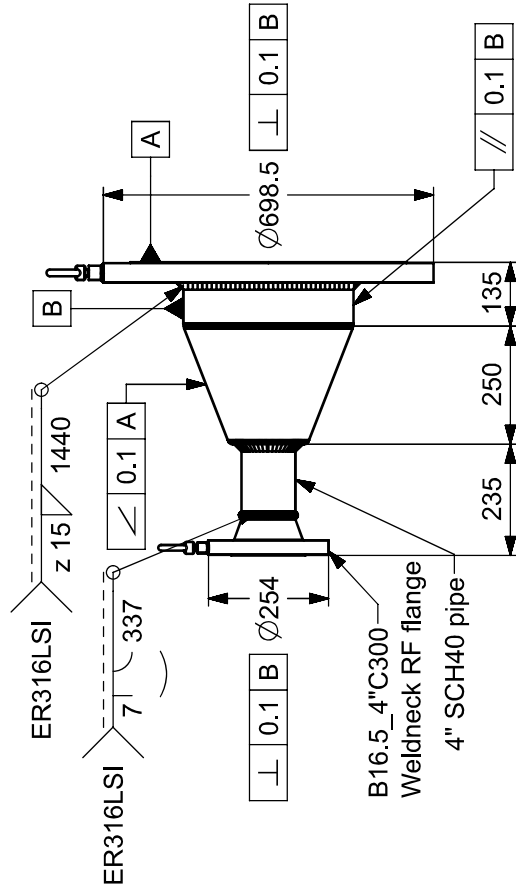


SECTION A-A



Note :

- a) Dimensions and Tolerances as per ASME Y14.5-2009.
- b) Remove all burrs and sharp edges

		PART NAME : INLET SECTION		PART NUMBER : IGE-2302	
DRAWN BY KRISHNA	CHECKED BY	SCALE 1:8	MATERIAL SS 316L	SIZE : A2	SHEET : 2/7
APPROVED BY	DATE 26-OCT-2020	GENERAL TOLERANCE : ± 0.2 MM		QTY : 01	
ALL DIMENSIONS ARE IN MM		Wt : 151 kg		ALL INFORMATION CONTAINED IN THIS DOCUMENT IS PROPRIETARY OF IITM AND MAY NOT BE REPRODUCED IN WHOLE OR PART WITHOUT PERMISSION OF IITM.	