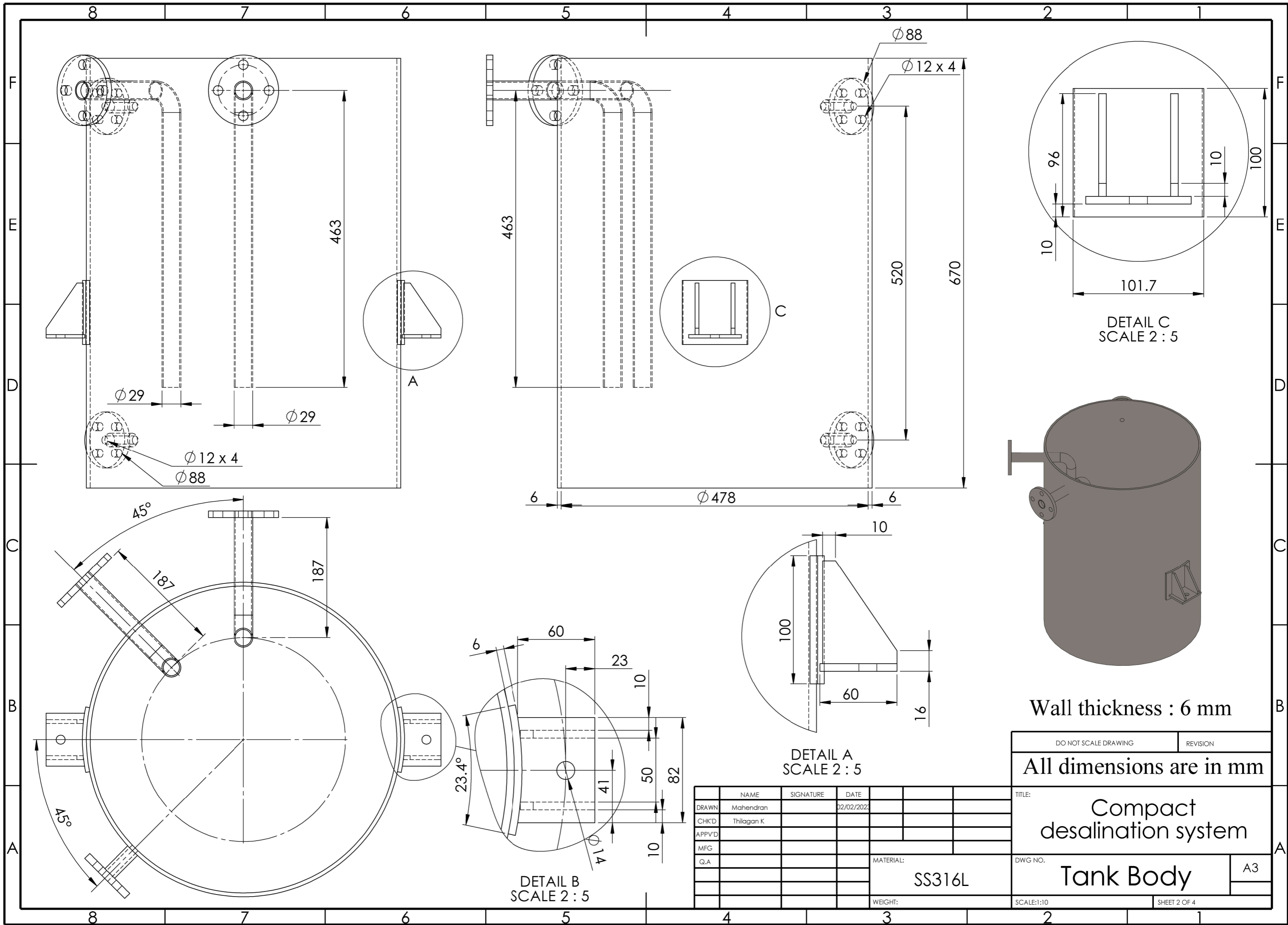


Wall thickness : 6 mm

	NAME	SIGNATURE	DATE		
DRAWN	Mahendran		02/02/2023		
CHK'D	Thilagan K		02/02/2023		
APPV'D					
MFG					
Q.A					
				MATERIAL:	SS316L
				WEIGHT:	

DO NOT SCALE DRAWING		REVISION
All dimensions are in mm		
TITLE: Compact desalination system		
DWG NO.	Tank	A3
SCALE:1:20	SHEET 1 OF 4	



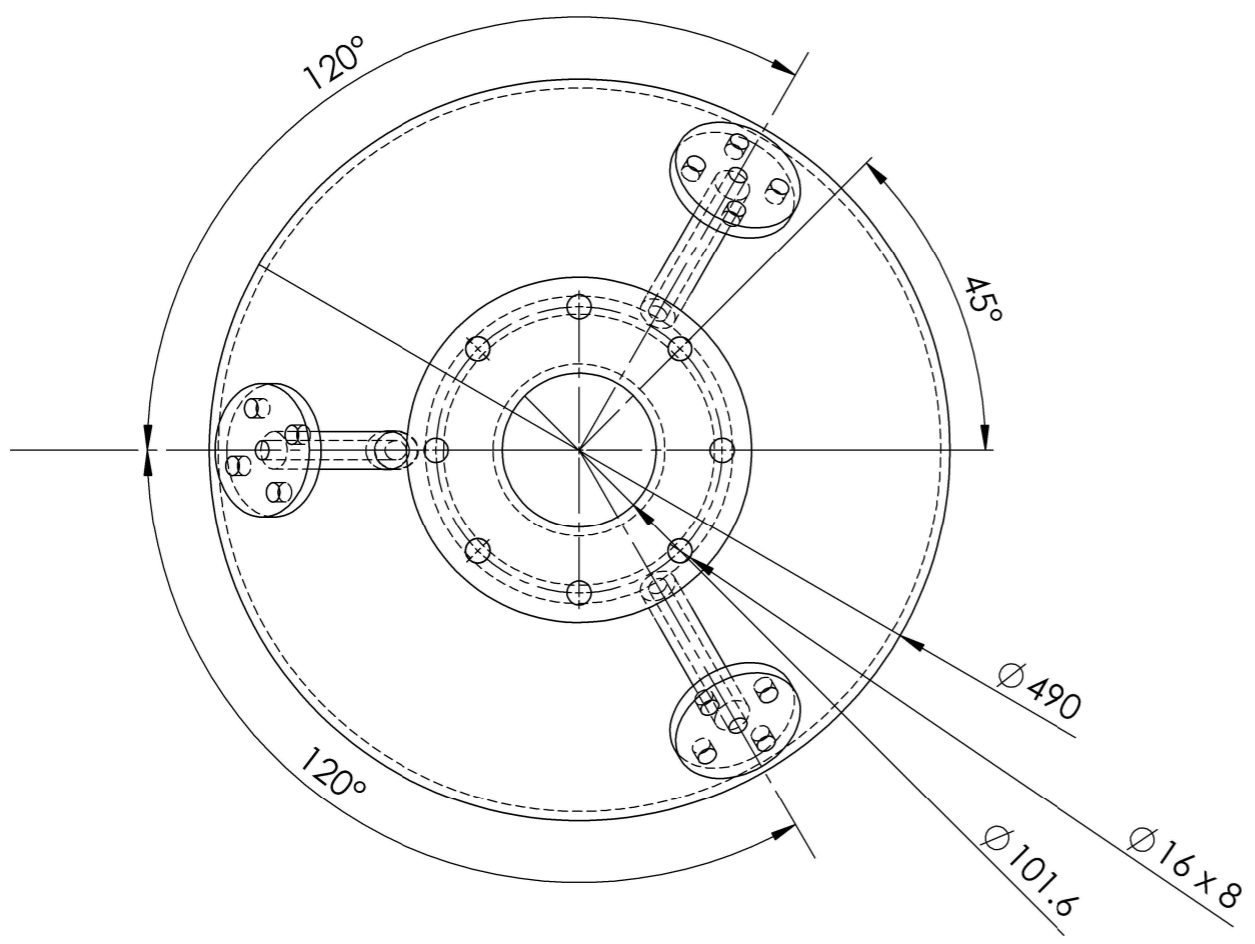
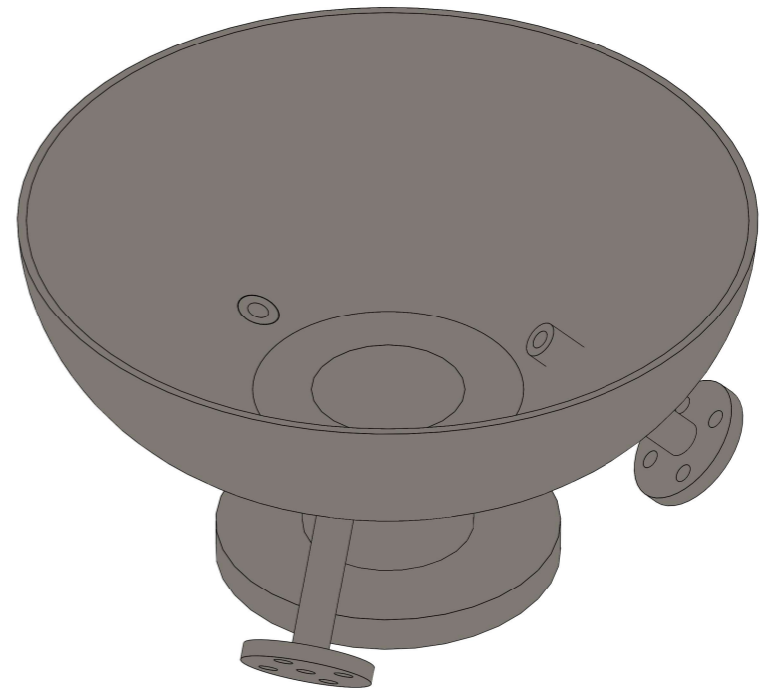
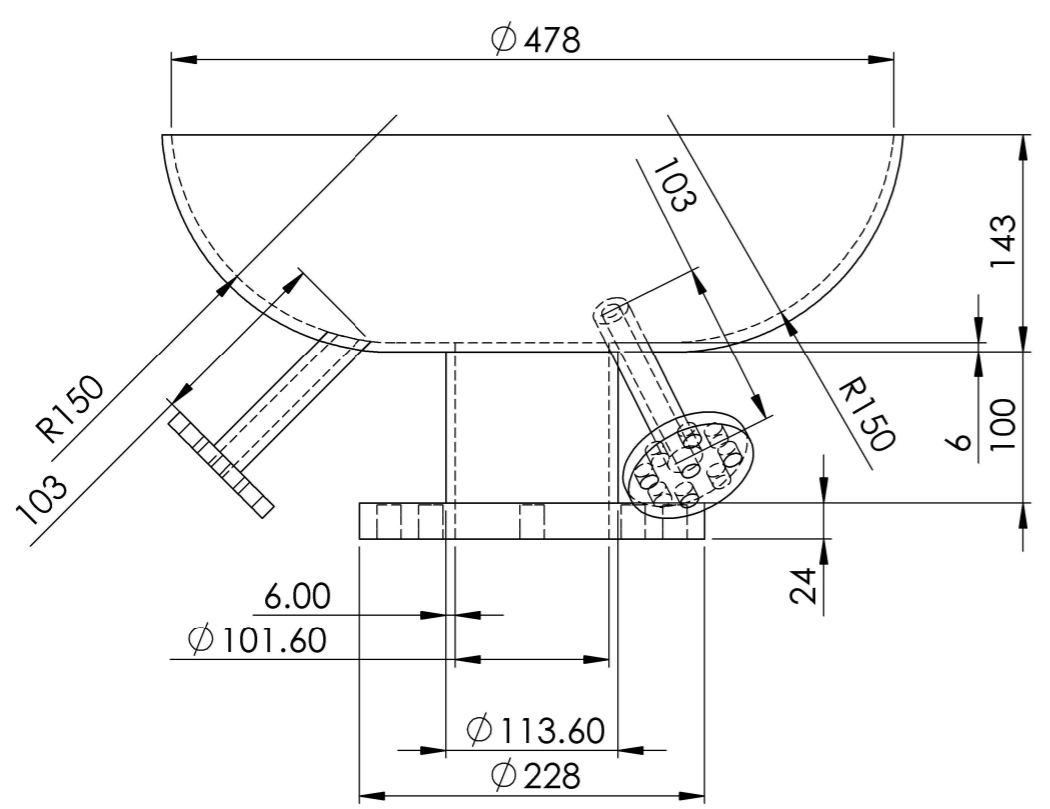
Wall thickness : 6 mm

DO NOT SCALE DRAWING		REVISION	
All dimensions are in mm			
TITLE:		Compact desalination system	
DWG NO.:		Tank Body	
SCALE:1:10		SHEET 2 OF 4	

	NAME	SIGNATURE	DATE
DRAWN	Mahendran		02/02/2023
CHK'D	Thilagan K		
APPV'D			
MFG			
Q.A			
MATERIAL:		SS316L	
WEIGHT:			

8 7 6 5 4 3 2 1

F
E
D
C
B
A



Wall thickness : 6 mm

	NAME	SIGNATURE	DATE		
DRAWN	Mahendran		02/02/2023		
CHK'D	Thilagan K				
APPV'D					
MFG					
Q.A				MATERIAL:	SS316L
				WEIGHT:	

DO NOT SCALE DRAWING		REVISION
All dimensions are in mm		
TITLE: Compact desalination system		
DWG NO.	Tank top	A3
SCALE:1:5	SHEET 3 OF 4	

8 7 6 5 4 3 2 1

