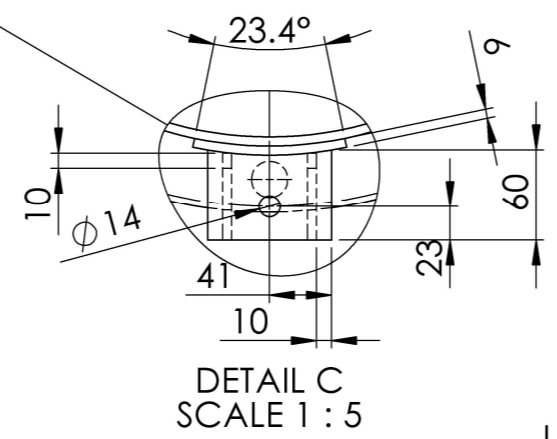
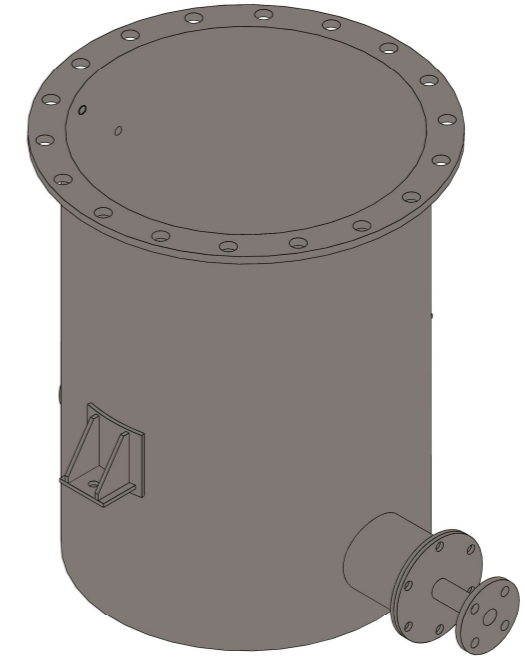
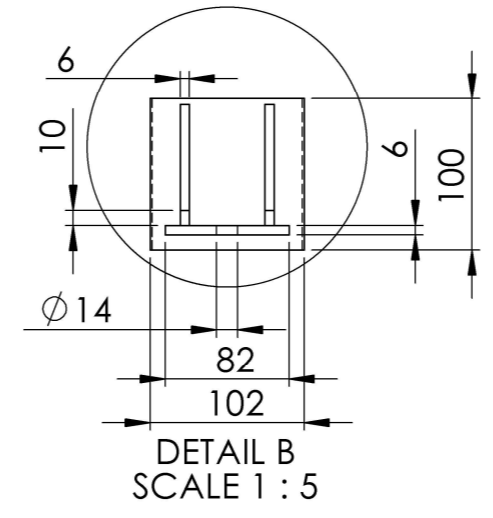
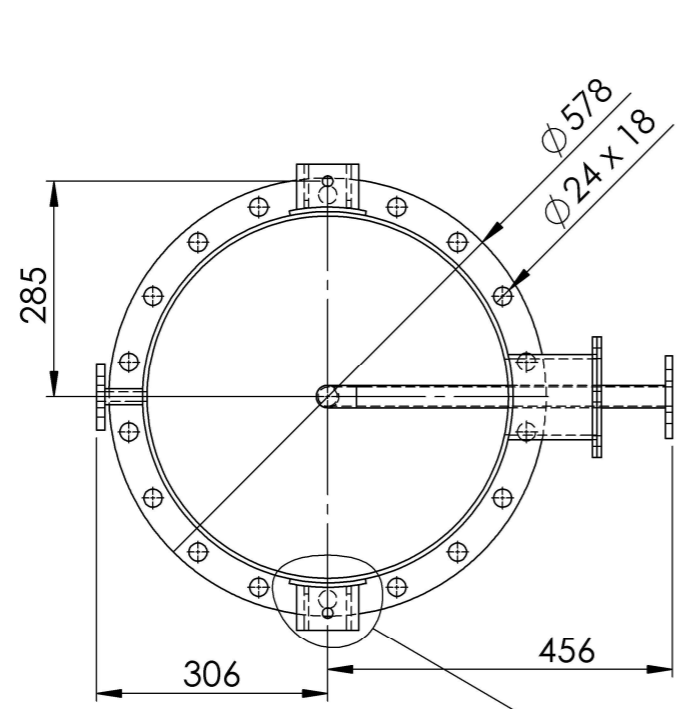
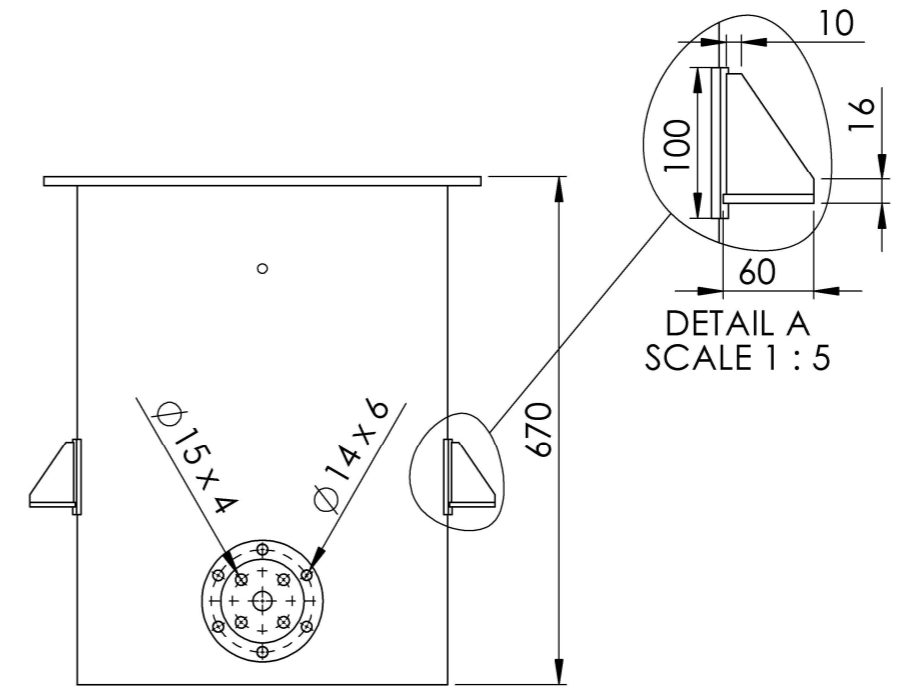
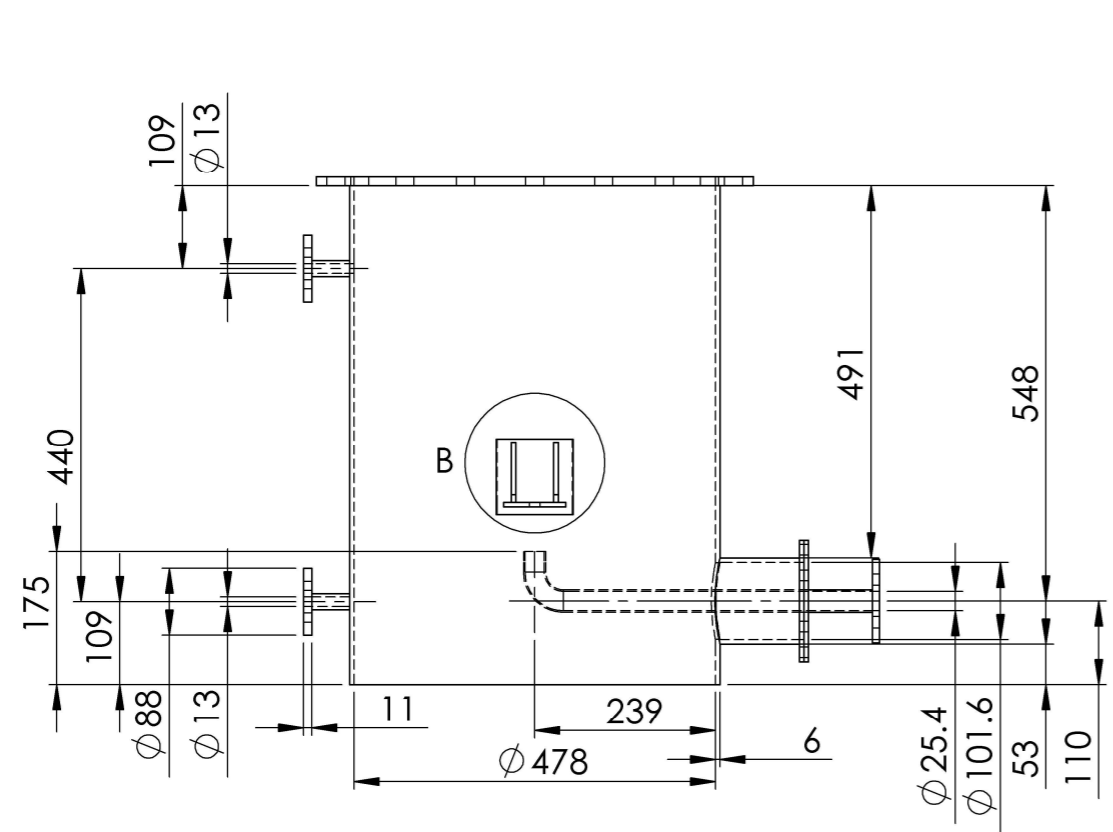


Wall thickness : 6 mm

DO NOT SCALE DRAWING		REVISION	
All dimensions are in mm			
TITLE:		Compact desalination system	
DWG NO.		FC_hot	
SCALE:1:20		SHEET 1 OF 4	

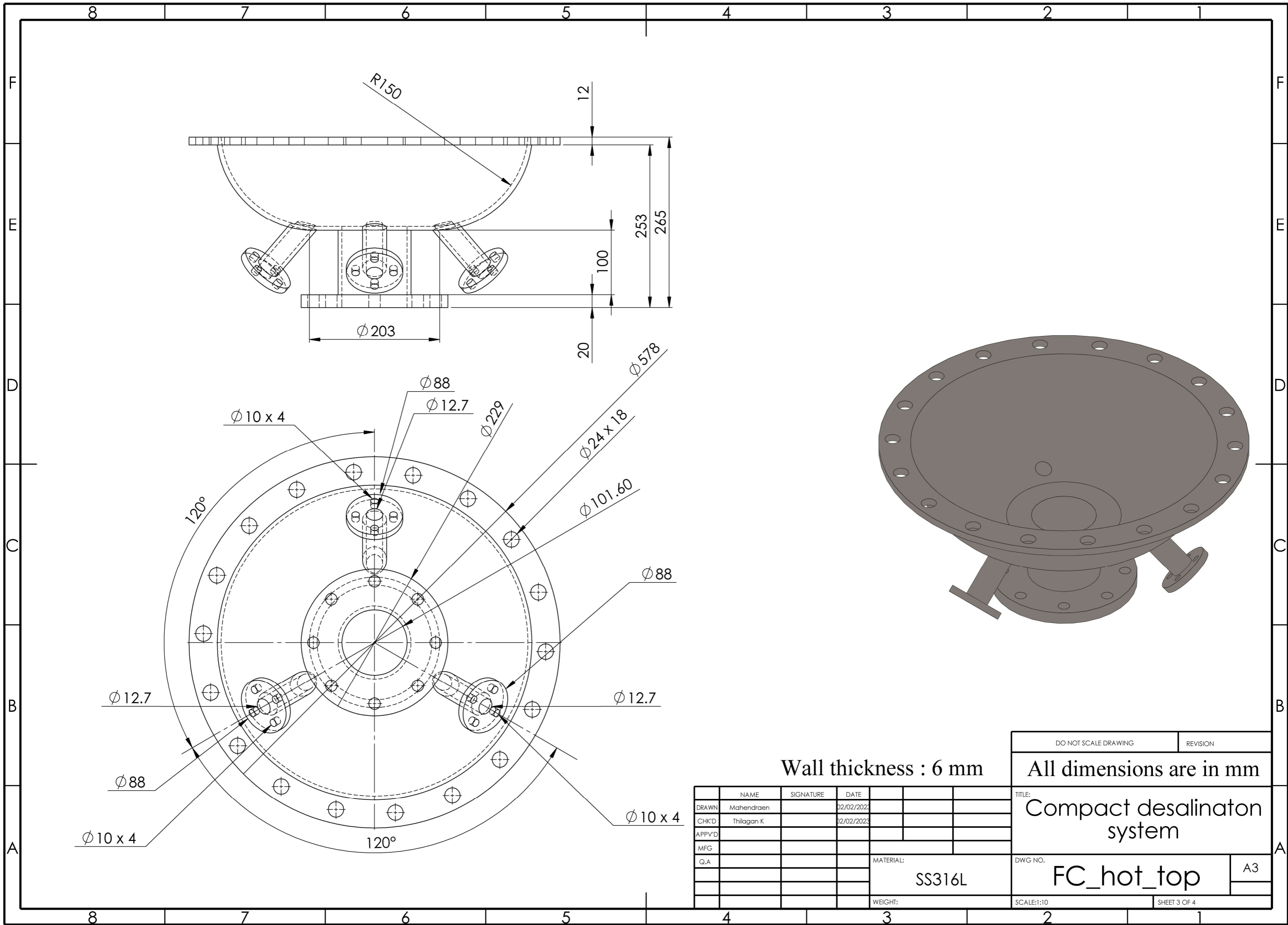
	NAME	SIGNATURE	DATE		
DRAWN	Mahendren		02/02/2023		
CHK'D	Thilagan K		02/02/2023		
APPV'D					
MFG					
Q.A					
				MATERIAL:	SS316L
				WEIGHT:	



Wall thickness : 6 mm

NAME	SIGNATURE	DATE			
DRAWN	Mahendraen	02/02/2023			
CHK'D	Thilagan K	02/02/2023			
APPV'D					
MFG					
Q.A					
			MATERIAL:	SS316L	
			WEIGHT:		

DO NOT SCALE DRAWING	REVISION
All dimensions are in mm	
TITLE: Compact desalination system	
DWG NO. FC_hot_body	A3
SCALE:1:10	SHEET 2 OF 4



Wall thickness : 6 mm

	NAME	SIGNATURE	DATE		
DRAWN	Mahendraen		02/02/2023		
CHK'D	Thilagan K		02/02/2023		
APPV'D					
MFG					
Q.A					
				MATERIAL:	
					SS316L
				WEIGHT:	

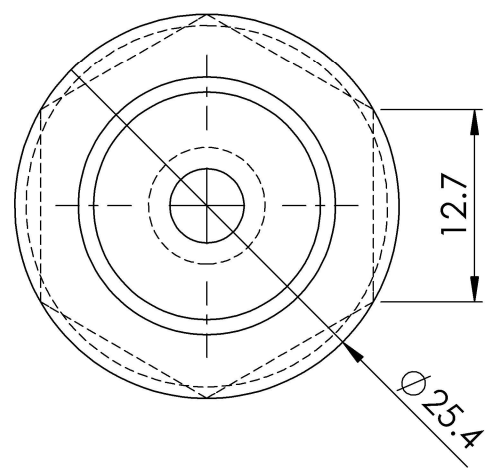
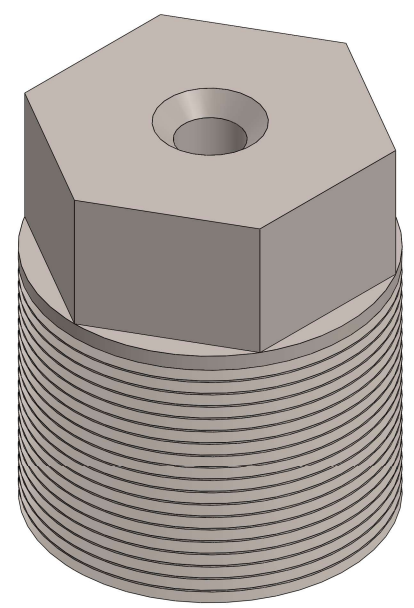
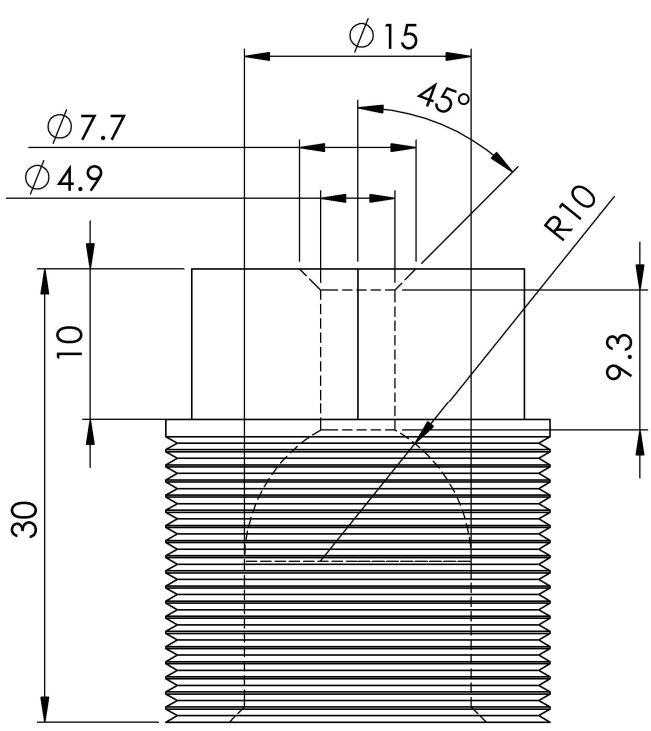
DO NOT SCALE DRAWING		REVISION
All dimensions are in mm		
TITLE: Compact desalinator system		
DWG NO.	FC_hot_top	A3
SCALE:1:10	SHEET 3 OF 4	



4 3 2 1

F  
E  
D  
C  
B  
A

F  
E  
D  
C  
B  
A



DO NOT SCALE DRAWING REVISION

All dimension units are in mm

	NAME	SIGNATURE	DATE
DRAWN	Thilagan K		18/12/2022
CHKD			
APPV'D			
MFG			
Q.A			

TITLE:		Compact desalination system	
MATERIAL:			
SS316L		DWG NO.	A4
WEIGHT:		SCALE:2:1	SHEET 1 OF 1

4 3 2 1