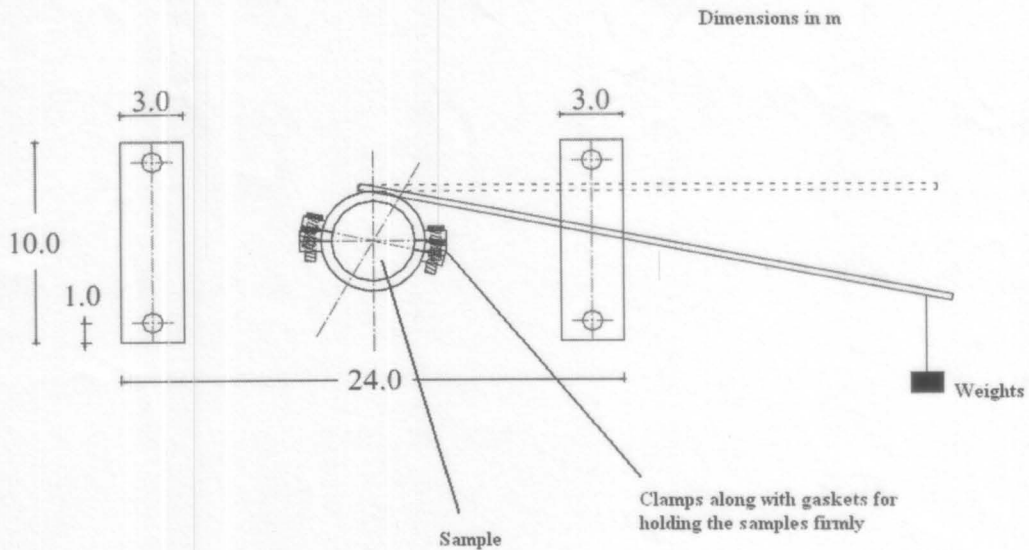


Front View



Side View

Note:

The sealed quotation to be sent to

Dr. Rajesh R. Nair
 Dept. of Ocean Engineering,
 IIT Madras, Chennai-600036,
 Tamil Nadu, India

Handwritten signature
 22.11.62