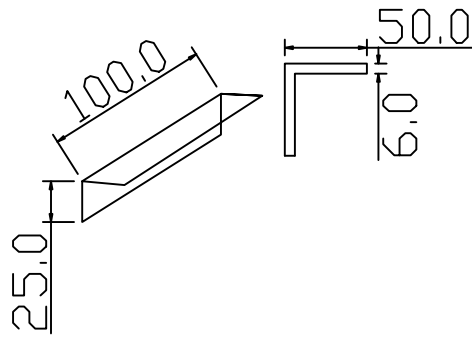
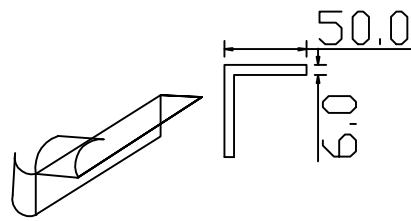


## Supporting Angle



**All dimensions are in mm**