

	INDIAN INSTITUTE OF TECHNOLOGY MADRAS Chennai 600 036 Telephone: [044] 2257 9723/9798 E-mail: tender@imail.iitm.ac.in	
-----------------------------------------------------------------------------------	--------------------------------------------------------------------------------------------------------------------------------------------------	-------------------------------------------------------------------------------------

04.06.2020

Department of Civil Engineering
Minutes of Prebid Queries

Tender Reference no: CIE/ 2020/005/LIGY/ Providing and laying of sewer


Name of the Work: Providing and laying of sewer network in Sriramnagar, Lakshmi Nagar, Subramanian nagar, Sivakumar nagar and Velavan Nagar at Vichoor Village

The following queries were raised by the Contractors via email before 01.06.2020 @ 11 am and the clarifications given by IIT Madras are indicated against each.

S.N	Queries raised by the contractor	Clarifications from IIT-Madras
1.	In BOQ.no 1- Excavation width minimum required 300mm to 450mm, by manual or mechanical.	The Excavation shall be done manually or by mechanical means as directed by Engineer-in-charge considering feasibility, urgency or work, availability of labour/mechanical equipments and other factors involved. Contractor shall ensure every safety measures for the workers. Neither any deduction will be made nor any extra payment will be made on this account
2	<p>In BOQ.no 9- Construction of RCC M30 mix manhole cylindrical type of diameter 300mm RCC M30 precast concrete chamber. Reinforcement not detaily mentioned in drawing as well as in BOQ- Please Advice.</p> <p>9. In-situ construction of R.C.C.M30 mix Manhole cylindrical type of diameter 300mm with wall thickness of 200 mm as per drawing and including 150 mm thick P.C.C.1:2:4 (1cement : 2 coarse sand :4 graded stone aggregate 20 mm nominal size) bottom raft with 150 mm offset beyond raft on periphery. The internal wall shall be finished with 6 mm thick plaster in CM 1:4 with a floating coat of neat cement and haunching benching in concrete M30 neatly finished complete as per standard design. Manhole shall be complete with providing & fixing Orange color safety foot rest at 30 cm staggered and providing & fixing SFRC manhole cover and frames (Heavy duty HD-20 grade designation)</p>	<p style="text-align: center;">Shall be read as</p> <p>9. Providing and laying In-situ construction of R.C.C.M30 mix Manhole cylindrical type of diameter 300mm with wall thickness of 200 mm as per drawing and including 150 mm thick P.C.C.1:2:4 (1cement : 2 coarse sand :4 graded stone aggregate 20 mm nominal size) bottom raft with 150 mm offset beyond raft on periphery. The internal wall shall be finished with 6 mm thick plaster in CM 1:4 with a floating coat of neat cement and haunching benching in concrete M30 neatly finished complete as per standard design. Manhole shall be complete with providing & fixing Orange color safety foot rest at 30 cm staggered and providing & fixing SFRC manhole cover and frames (Heavy duty HD-20 grade designation) as per IS 12592 (Part I and II) complete in all respect and the quoted rate is including shuttering, reinforcement steel, testing for water tightness etc complete in all respects including the cost of manhole cover and frame, necessary earth work excavation for the chamber portion and its backfilling etc complete as per Standard specification and the direction of the Engineer in charge.</p>

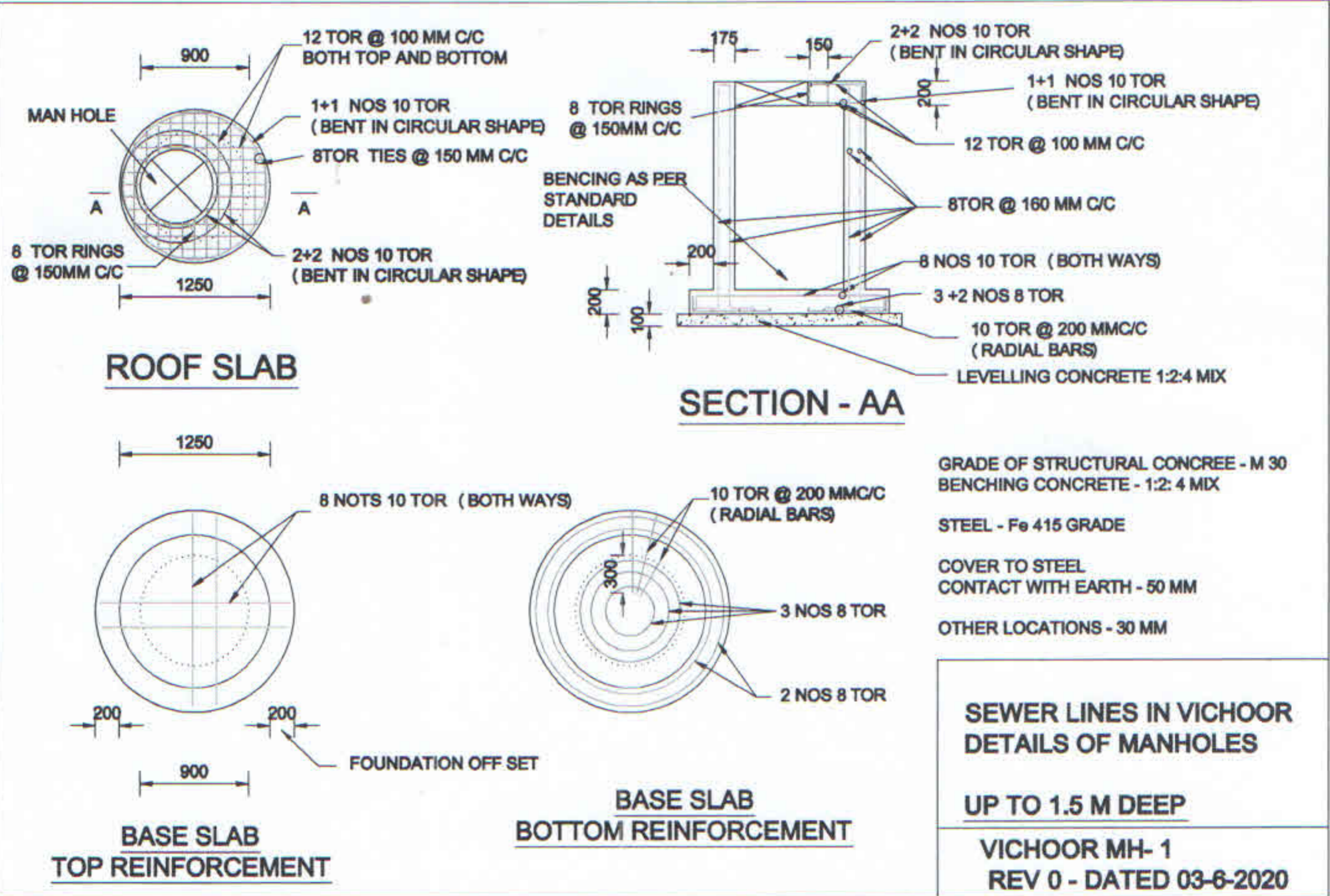
3	<p>3)In BOQ.no 10-construction of RCC M30 mix manhole cylindrical type of diameter, a). 0.90 m diameter 0.50 to 1.0 m deep b). 0.90 m diameter 1.00 to 1.50 m deep c). 1.20 m diameter 1.50 to 2.00m deep RCC concrete chamber reinforcement not mentioned detaily in cross sectional drawing and in BOQ, Please Advice.</p> <p>10. In-situ construction of R.C.C.M30 mix Manhole cylindrical type with wall thickness of 200 mm as per drawing and including 150 mm thick P.C.C.1:2:4 (1cement : 2 coarse sand :4 graded stone aggregate 20 mm nominal size) bottom raft with 150 mm offset beyond raft on periphery. The internal wall shall be finished with 6 mm thick plaster in CM 1:4 with a floating coat of neat cement and haunching benching in concrete M30 neatly finished complete as per standard design. Manhole shall be complete with providing & fixing Orange color safety foot rest at 30 cm staggered and providing & fixing SFRC manhole cover and frames (Heavy duty HD-20 grade designation)</p>	<p>Shall be read as</p> <p>10. Providing and laying In-situ construction of R.C.C.M30 mix Manhole cylindrical type with wall thickness of 200 mm as per drawing and including 150 mm thick P.C.C.1:2:4 (1cement : 2 coarse sand :4 graded stone aggregate 20 mm nominal size) bottom raft with 150 mm offset beyond raft on periphery. The internal wall shall be finished with 6 mm thick plaster in CM 1:4 with a floating coat of neat cement and haunching benching in concrete M30 neatly finished complete as per standard design. Manhole shall be complete with providing & fixing Orange color safety foot rest at 30 cm staggered. supplying and fixing heavy duty SFRC manhole cover and frame (Heavy duty HD-20 grade designation) as per IS 12592 (Part I and II) complete in all respect and the quoted rate is including shuttering, reinforcement steel, testing for water tightness etc complete in all respects including the cost of manhole cover and frame, necessary earth work excavation for the chamber portion and its backfilling etc complete as per Standard specification and the direction of the Engineer in charge.</p>
4.	Structural drawings for inspection and manhole chamber drawings	Attached as Annexure1 and Annexure2

Apart from the above, the terms and conditions specified in the Tender document will remain unchanged. The contractors are requested to download the minutes of pre-bid queries from the e-publishing & institute website. The above minutes of the Pre-bid meeting will become part of the agreement.


Prof.Ligy Philip
The Principal Coordinator
EWRE Division
Department of Civil Engineering
IIT Madras
Chennai - 600036

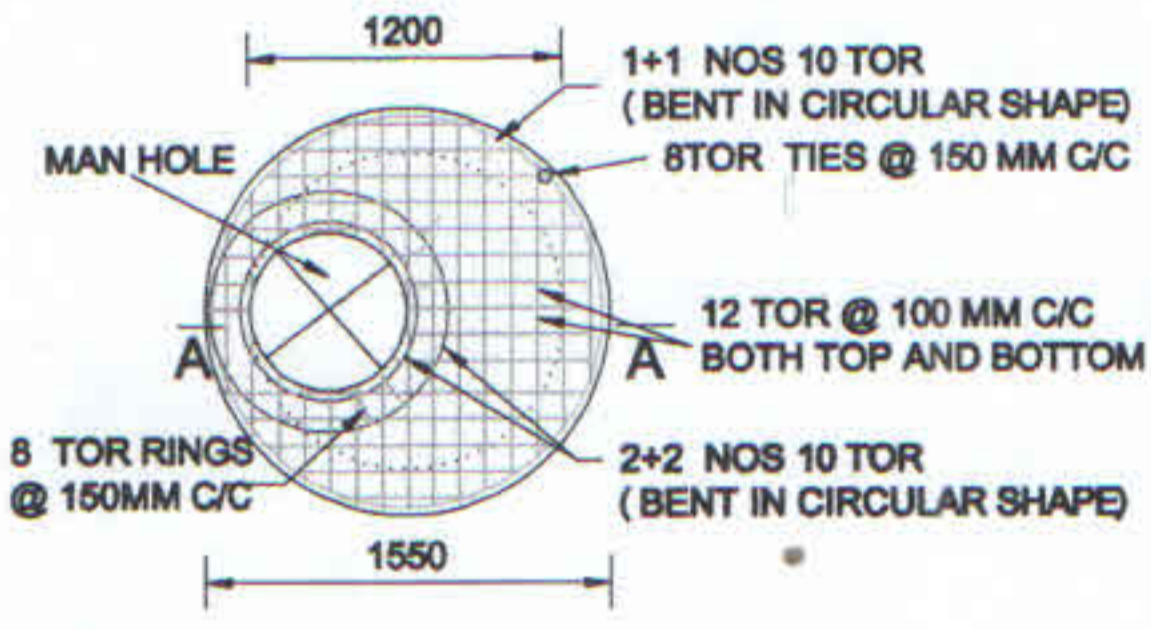
Tender Inviting Authority:


The Senior Manager (Project Purchase)
IC&SR Building, I.I.T. Madras,
Chennai – 600 036

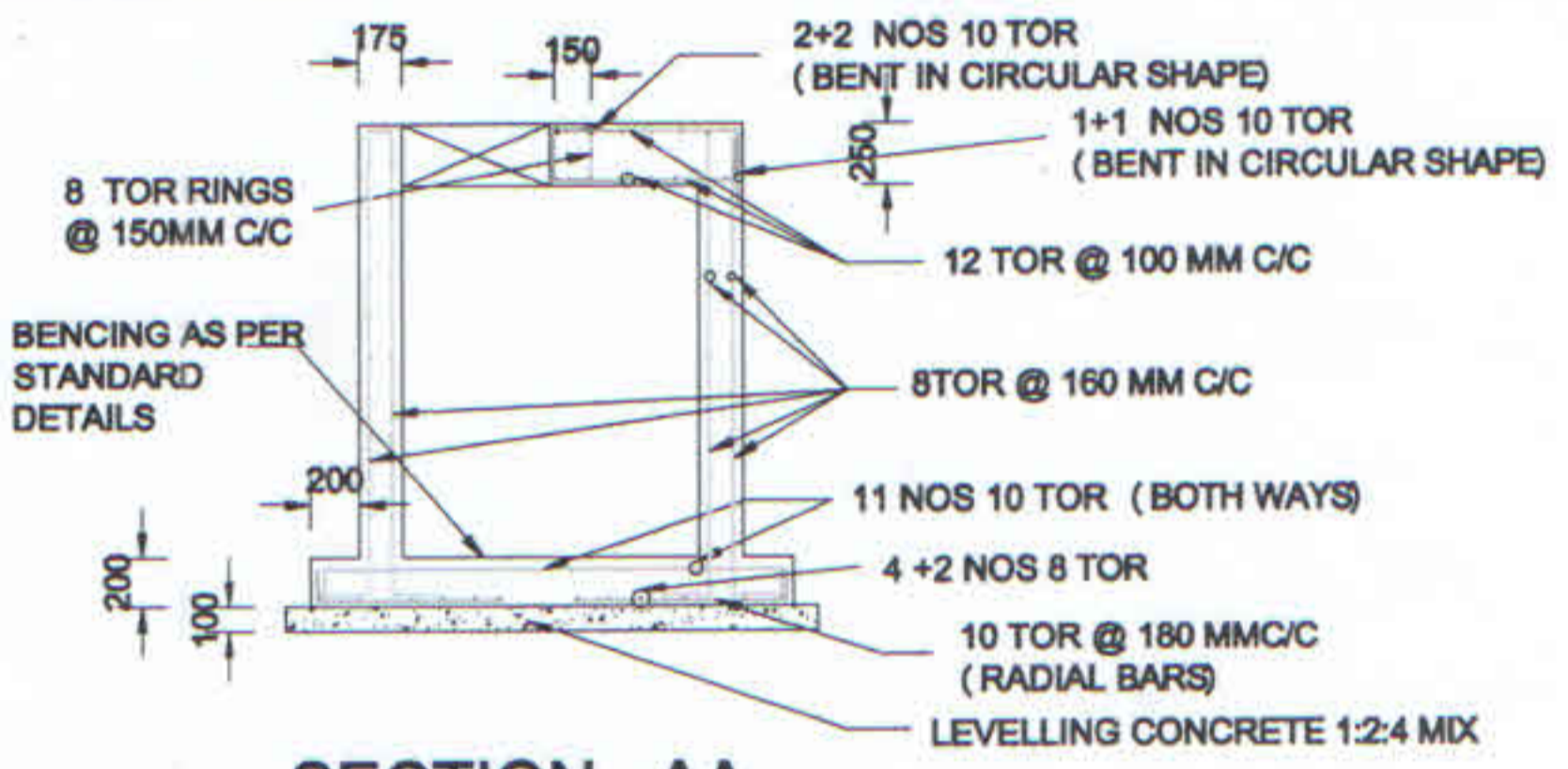


Dr. Y. P. Phulp

*hmm
4/16*

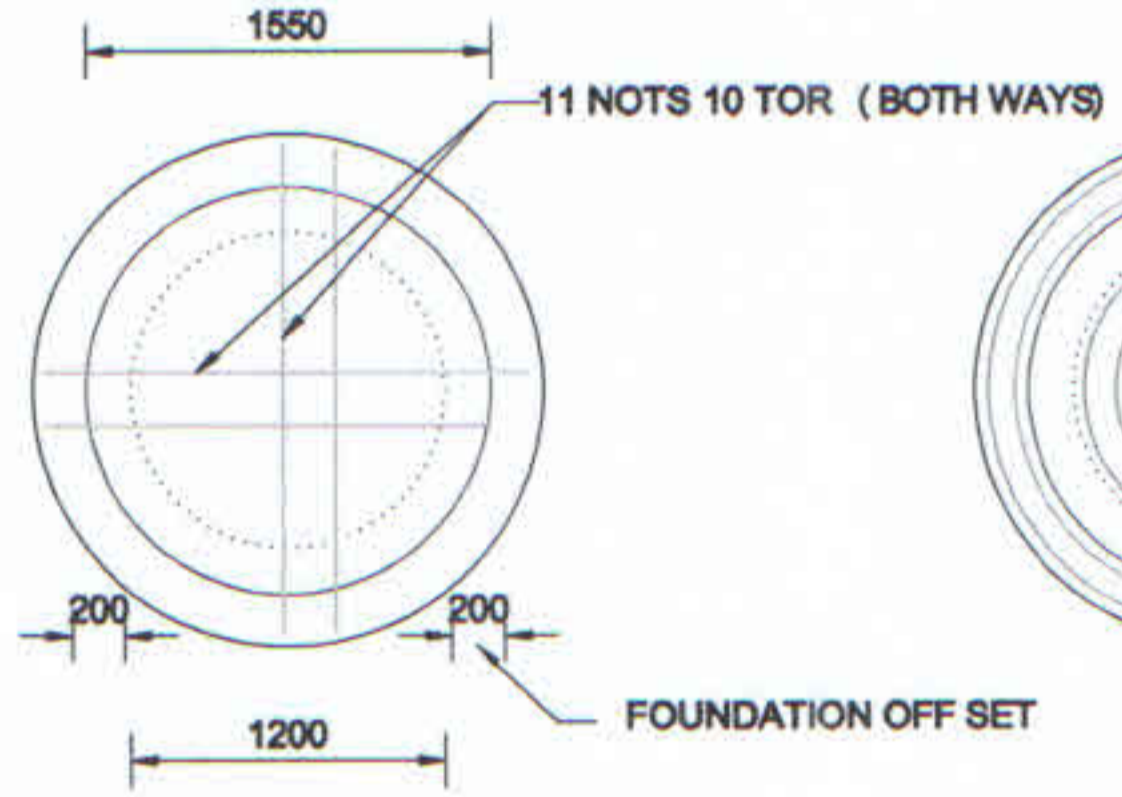


ROOF SLAB

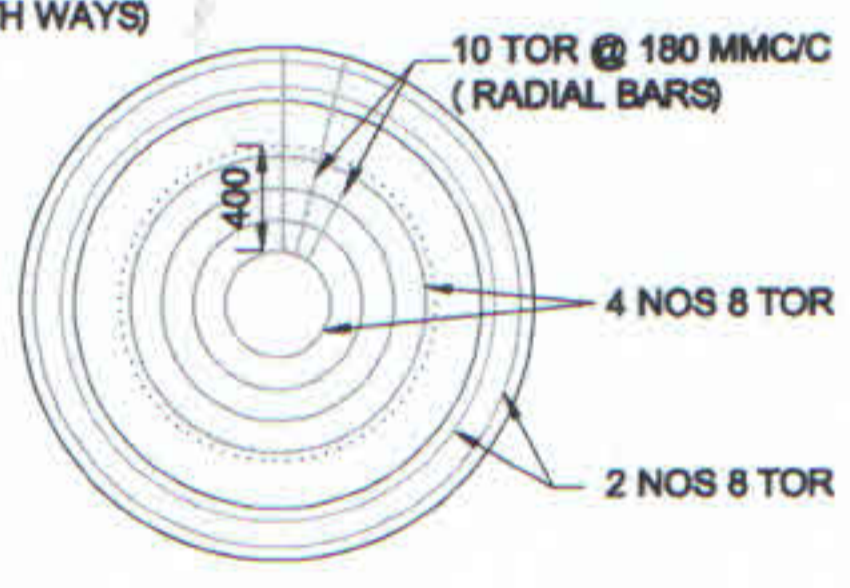


SECTION - AA

GRADE OF STRUCTURAL CONCREE - M 30
 BENCHING CONCRETE - 1:2:4 MIX
 STEEL - Fe 415 GRADE
 COVER TO STEEL
 CONTACT WITH EARTH - 50 MM
 OTHER LOCATIONS - 30 MM



**BASE SLAB
TOP REINFORCEMENT**



**BASE SLAB
BOTTOM REINFORCEMENT**

**SEWER LINES IN VICHOOR
DETAILS OF MANHOLES**
**ABOVE 1.5 M AND UP TO
2.0 M DEEP**
VICHOOR MH-2
REV 0 - DATED 03-6-2020

dyi phly
hmm
4/6