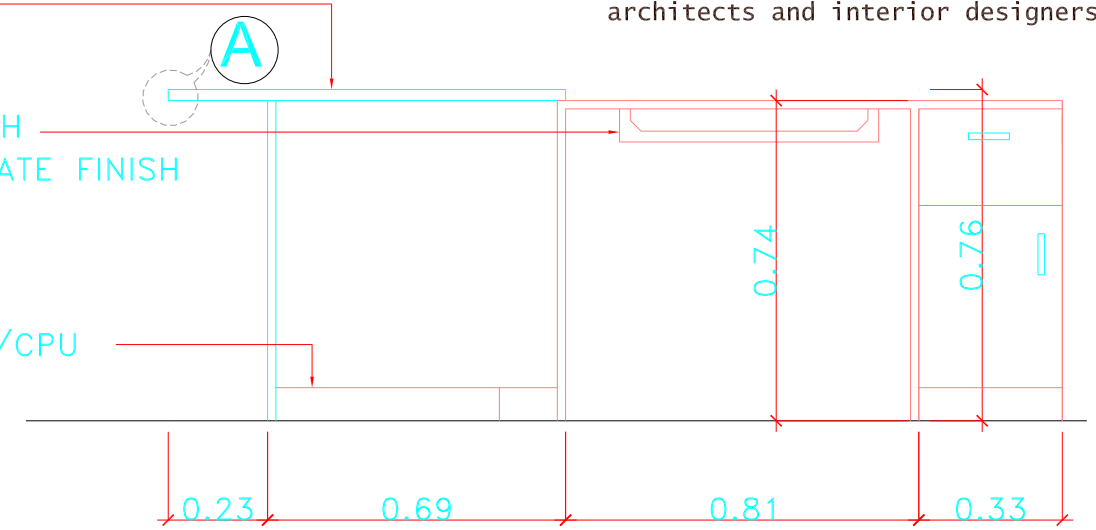
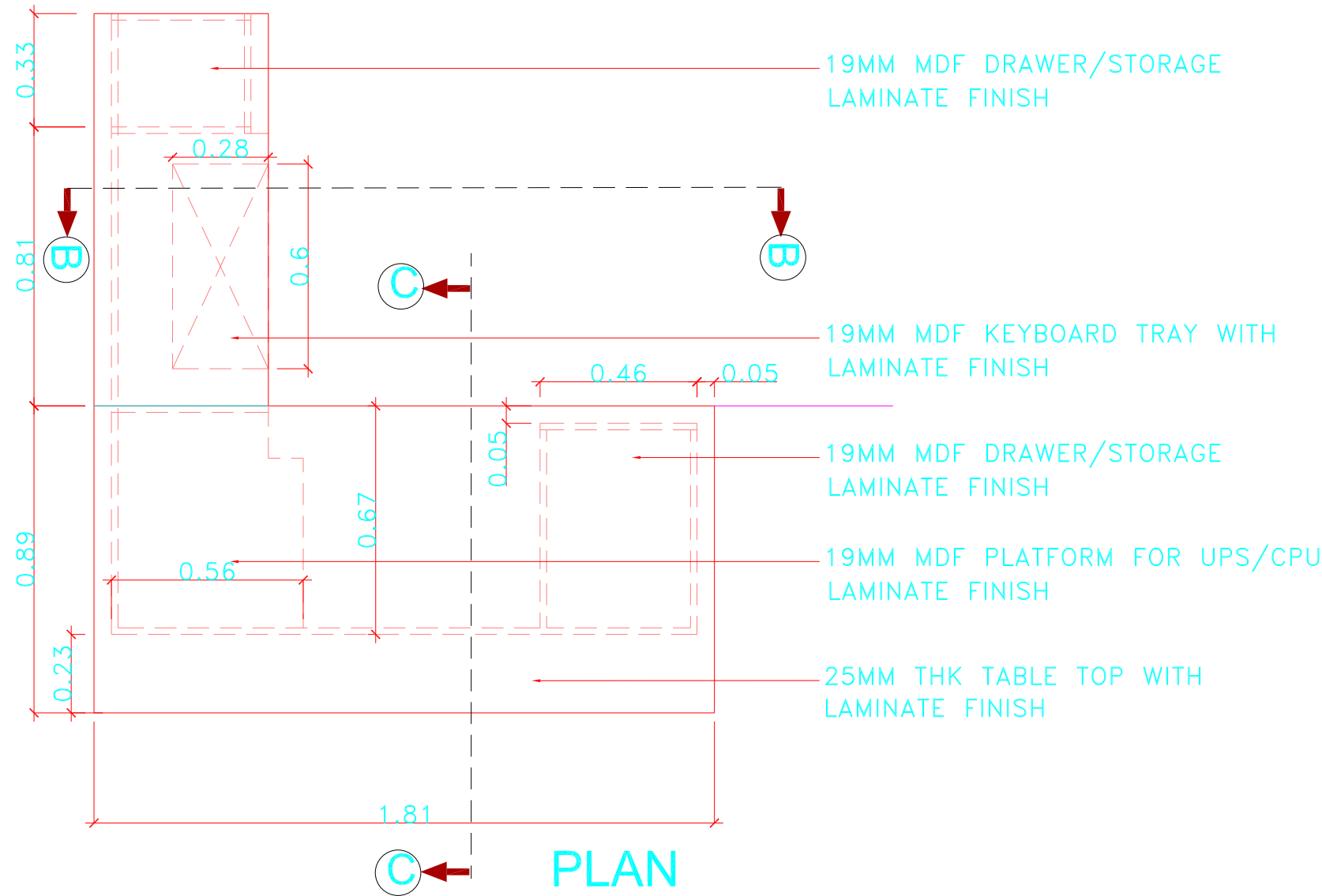


SECTION-BB



SECTION-CC



PLAN



DETAIL-A

NOTES

- 1 ALL DIMENSIONS ARE IN METRES
- 2 ALL DIMENSIONS TO BE CHECKED ON SITE
- 3 THE DETAIL MAY VARY IF NOT APPROVED BY CONCERN DEP.
- 4 THE REQUIRED SAMPLES HAS TO BE APPROVED BEFORE THE SUPPLY/ASSEMBLY ON SITE
- 5 FACILITATION FOR ELECTRICAL POINTS /DATA POINTS ALSO TO BE PROVIDED IN THE TABLE

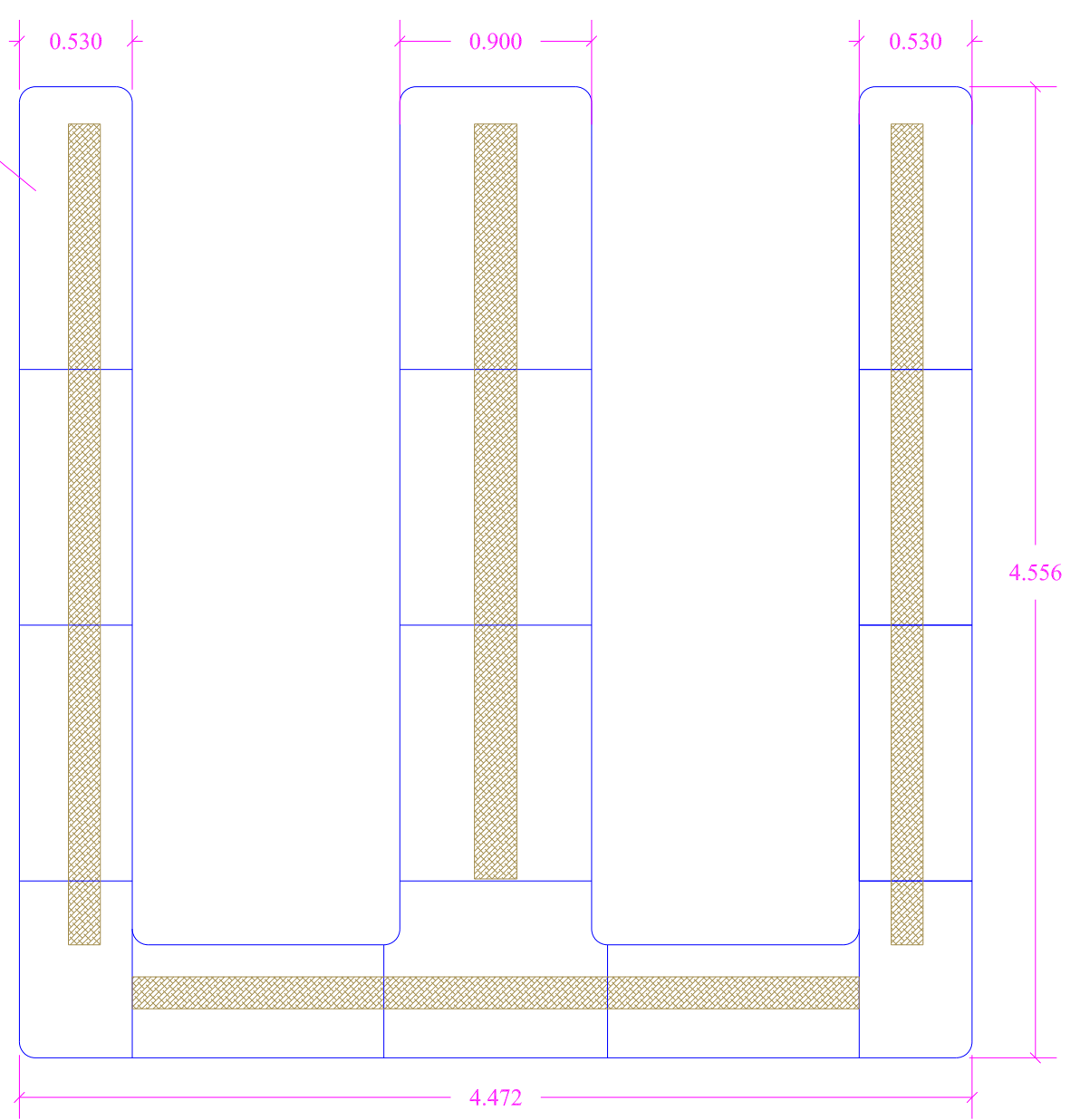
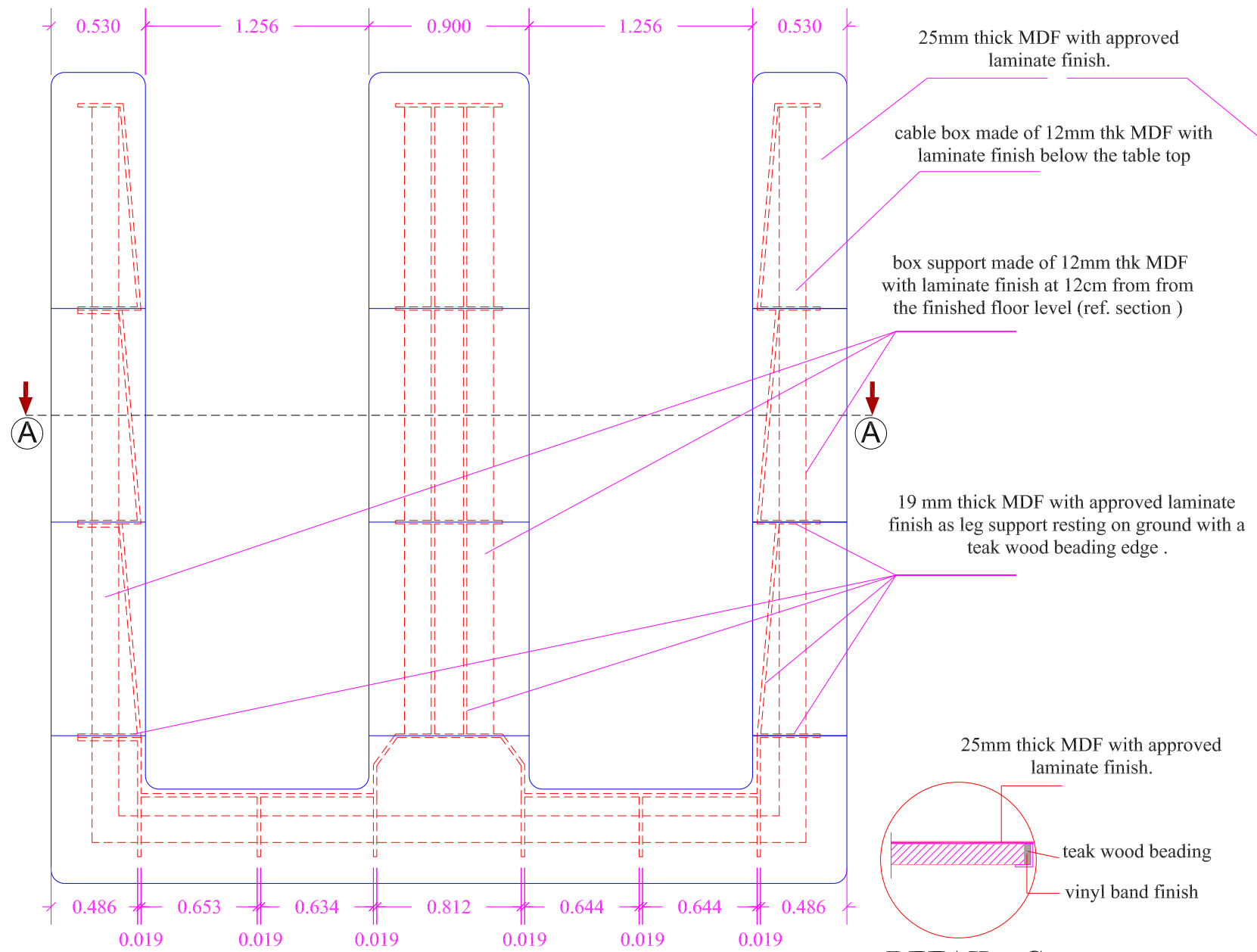
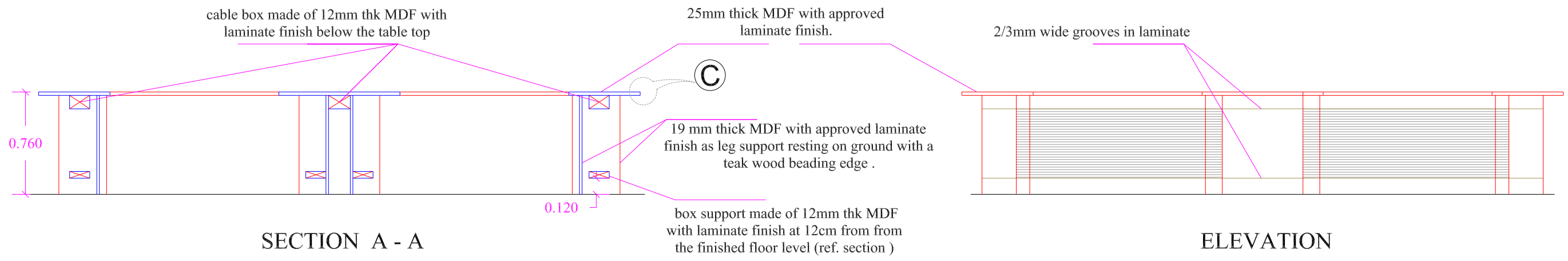
note: *the laminate grain pattern to run vertically for all partitions/vertical/standing surfaces and to run horizontally for all work tops/table tops/ any running horizontal surfaces. This is common for all laminated surfaces only.

*any mdf edges resting on floor should have teakwood beading of 8mm thk fixed on edge between mdf and the floor

TYPICAL MANAGERS' table details 1800mmx 900mm

15/05/2013

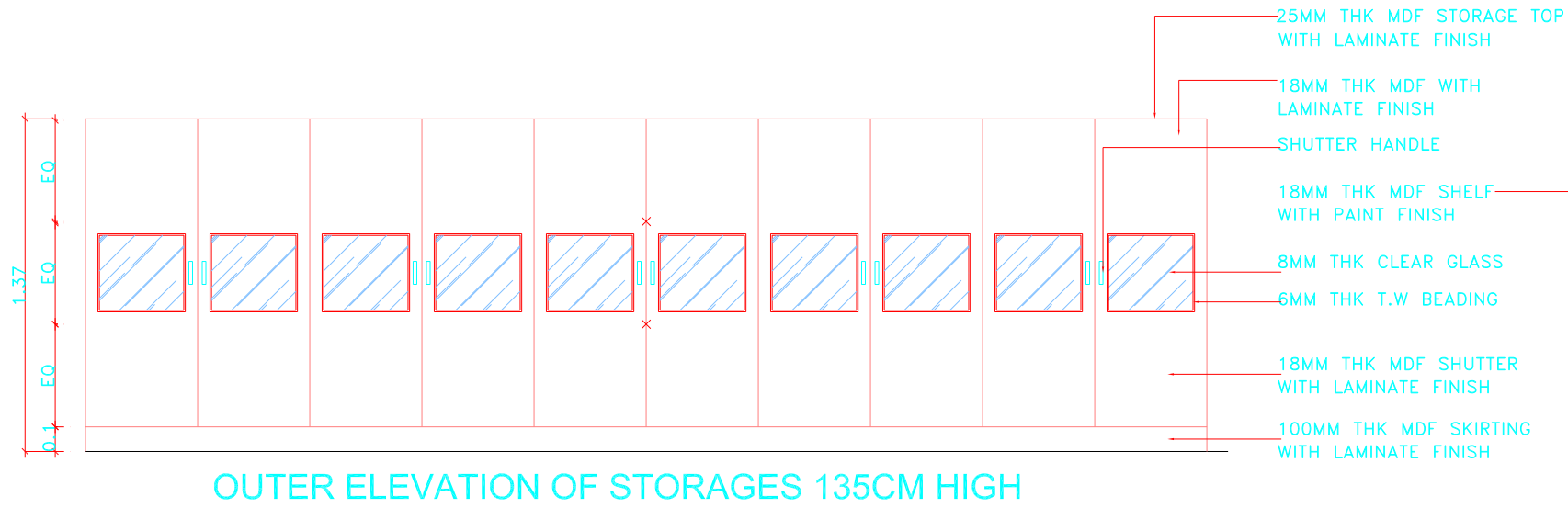
11/ddw/p3/icsr/iit/13-14



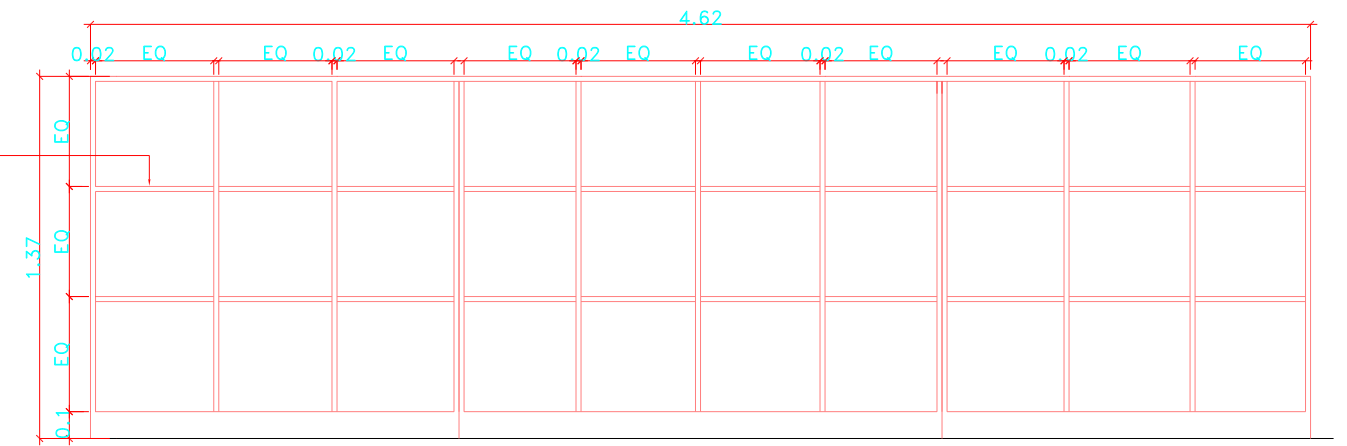
- NOTES
- 1 ALL DIMENSIONS ARE IN METRES
 - 2 ALL DIMENSIONS TO BE CHECKED ON SITE
 - 3 THE DETAIL MAY VARY IF NOT APPROVED BY CONCERN DEP.
 - 4 THE REQUIRED SAMPLES HAS TO BE APPROVED BEFORE THE SUPPLY/ASSEMBLY ON SITE
 - 5 FACILITATION FOR ELECTRICAL POINTS /DATA POINTS ALSO TO BE PROVIDED IN THE TABLE

note: *the laminate grain pattern to run vertically for all partitions/vertical/standing surfaces and to run along shorter table width direction on table top .This is only for all conference table only.
 *any mdf edges resting on floor should have teakwood beading of 8mm thk fixed on edge between mdf and the floor

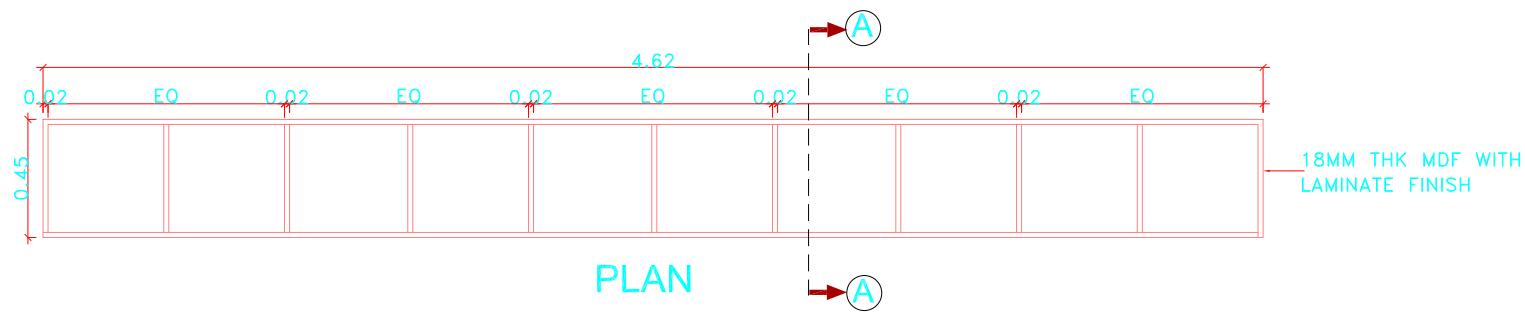
CONFERENCE table details 530mm wide and 900mm wide
 16/05/2013
 12/ddw/p3/icsr/iit/13-14



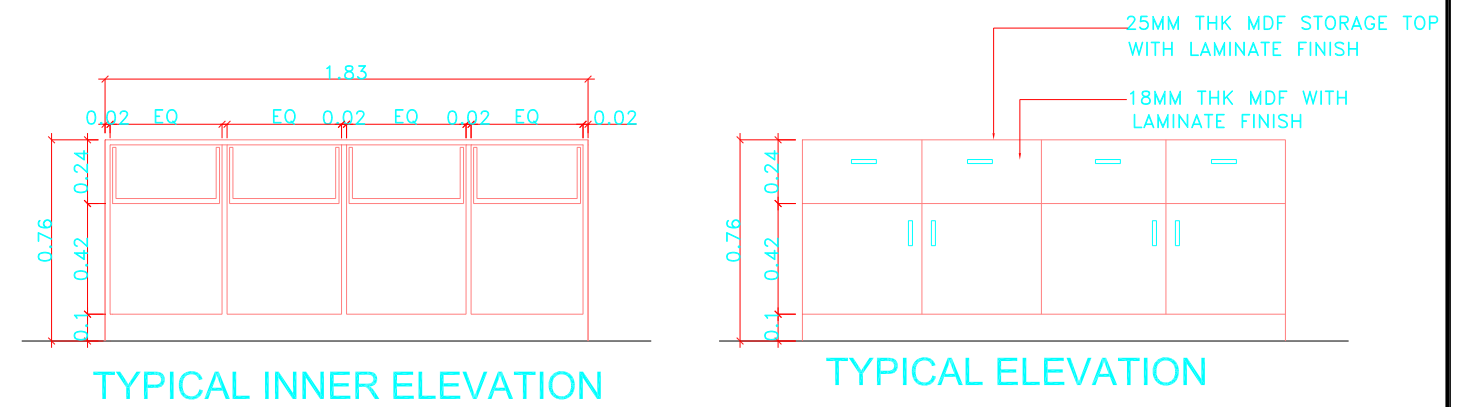
OUTER ELEVATION OF STORAGES 135CM HIGH



INNER ELEVATION OF STORAGES 135 CM HIGH



PLAN



TYPICAL INNER ELEVATION

TYPICAL ELEVATION

NOTES

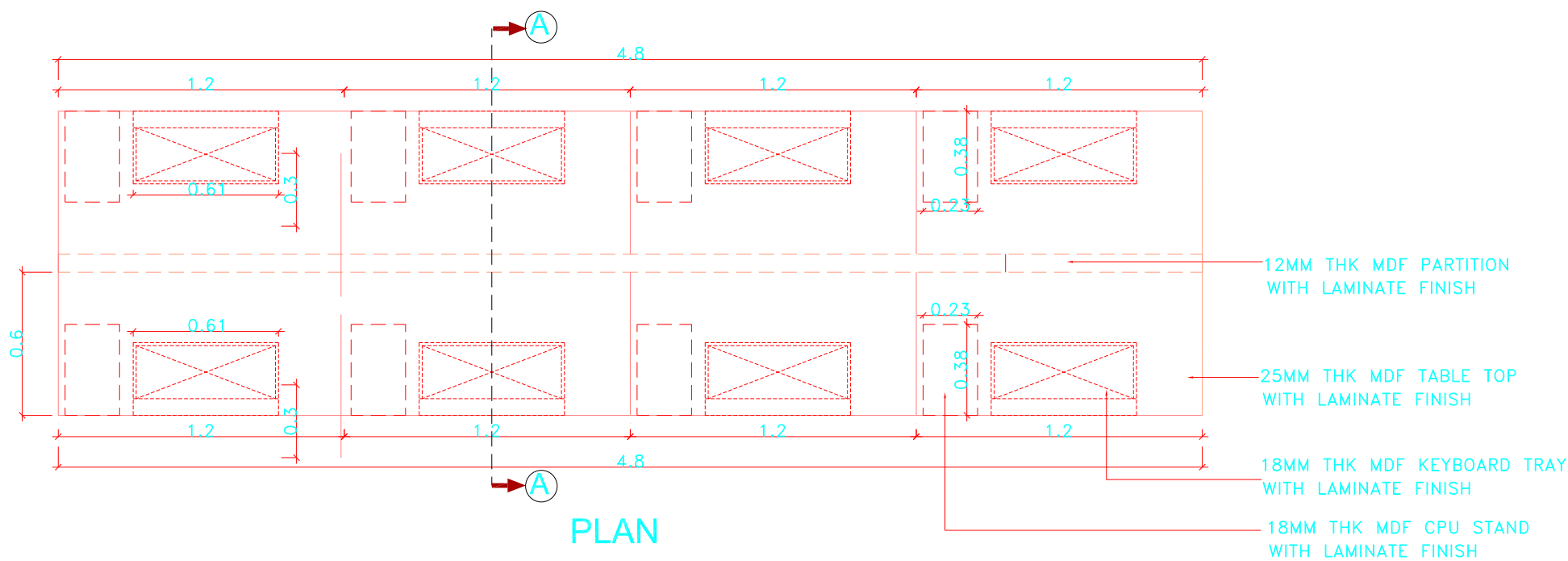
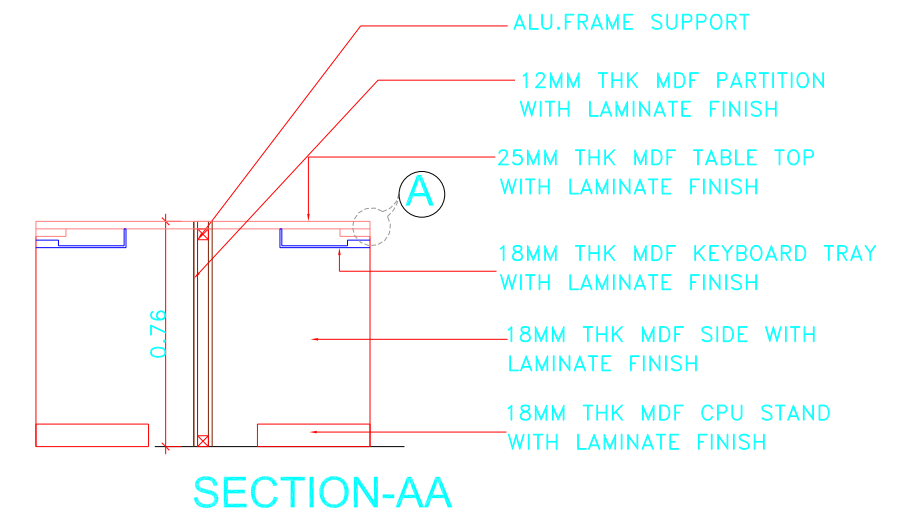
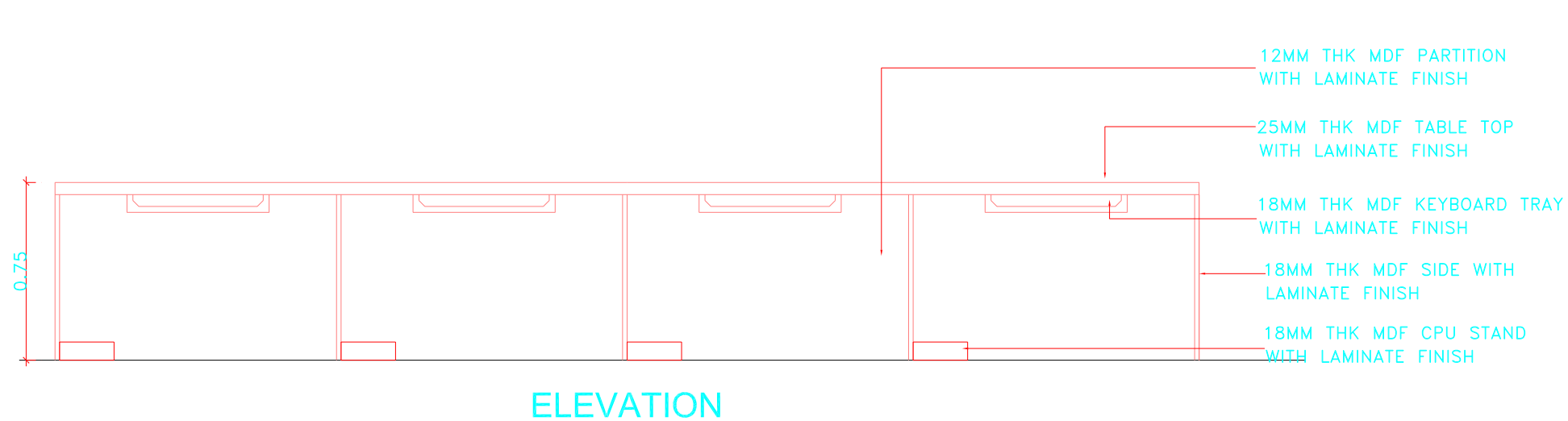
- 1 ALL DIMENSIONS ARE IN METRES
- 2 ALL DIMENSIONS TO BE CHECKED ON SITE
- 3 THE DETAIL MAY VARY IF NOT APPROVED BY CONCERN DEP.
- 4 THE SAMPLE HAS TO BE APPROVED BEFORE THE SUPPLY/ASSEMBLY ON SITE

note:*the laminate grain pattern to run vertically for all partitions/vertical/standing surfaces and to run horizontally for all work tops/table tops/ any running horizontal surfaces.This is common for all laminated surfaces only.
*any mdf edges resting on floor should have teakwood beading of 8mm thk fixed on edge between mdf and the floor

typical half height storages / storages in existing window side niches
details may vary on site before execution but will stay well within the specifications.

16/05/2013

13/ddw/p3/icsr/iit/13-14



NOTES

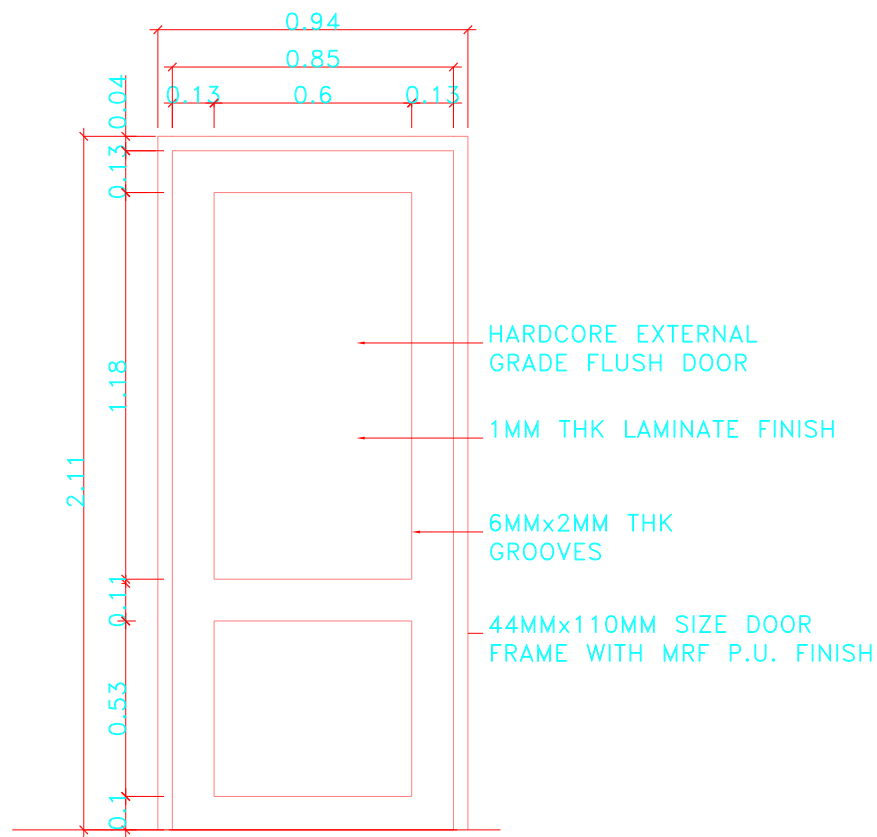
- 1 ALL DIMENSIONS ARE IN METRES
- 2 ALL DIMENSIONS TO BE CHECKED ON SITE
- 3 THE DETAIL MAY VARY IF NOT APPROVED BY CONCERN DEP.
- 4 THE SAMPLE HAS TO BE APPROVED BEFORE THE SUPPLY/ASSEMBLY ON SITE

note: *the laminate grain pattern to run vertically for all partitions/vertical/standing surfaces and to run horizontally for all work tops/table tops/ any running horizontal surfaces. This is common for all laminated surfaces only.
*any mdf edges resting on floor should have teakwood beading of 8mm thk fixed on edge between mdf and the floor

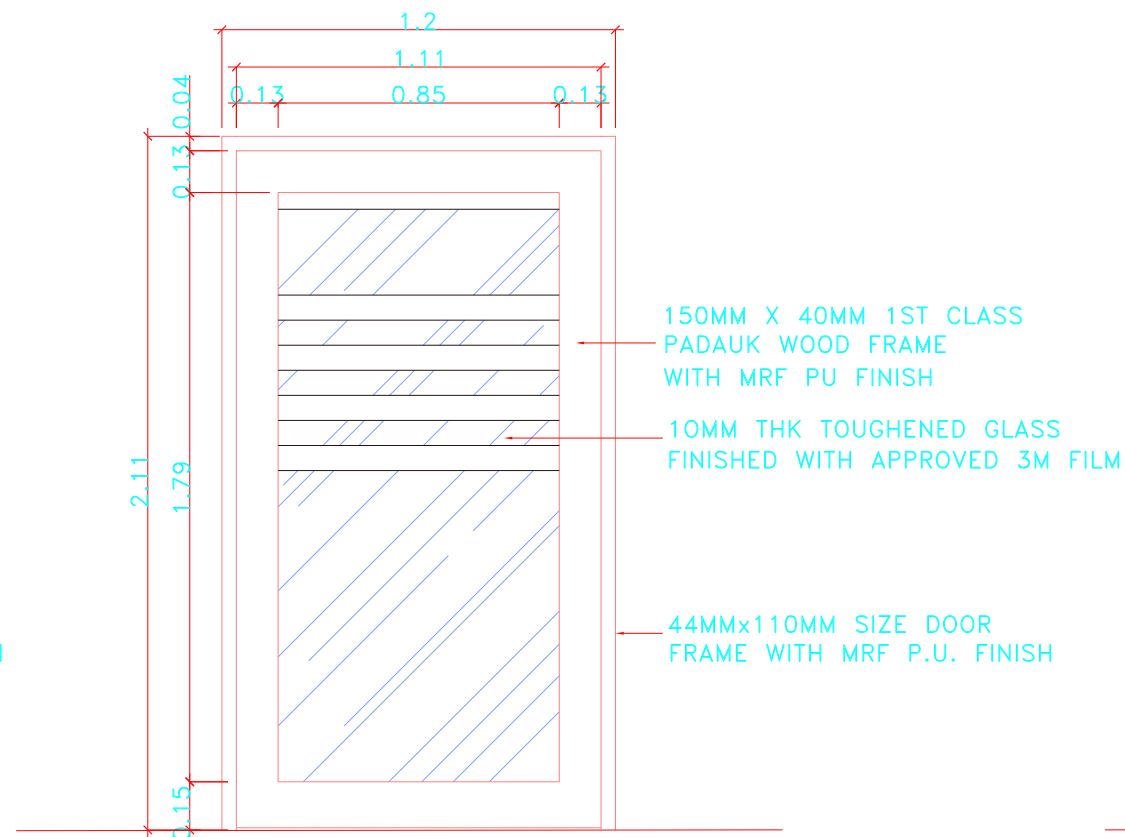
typical computer work top details

17/05/2013

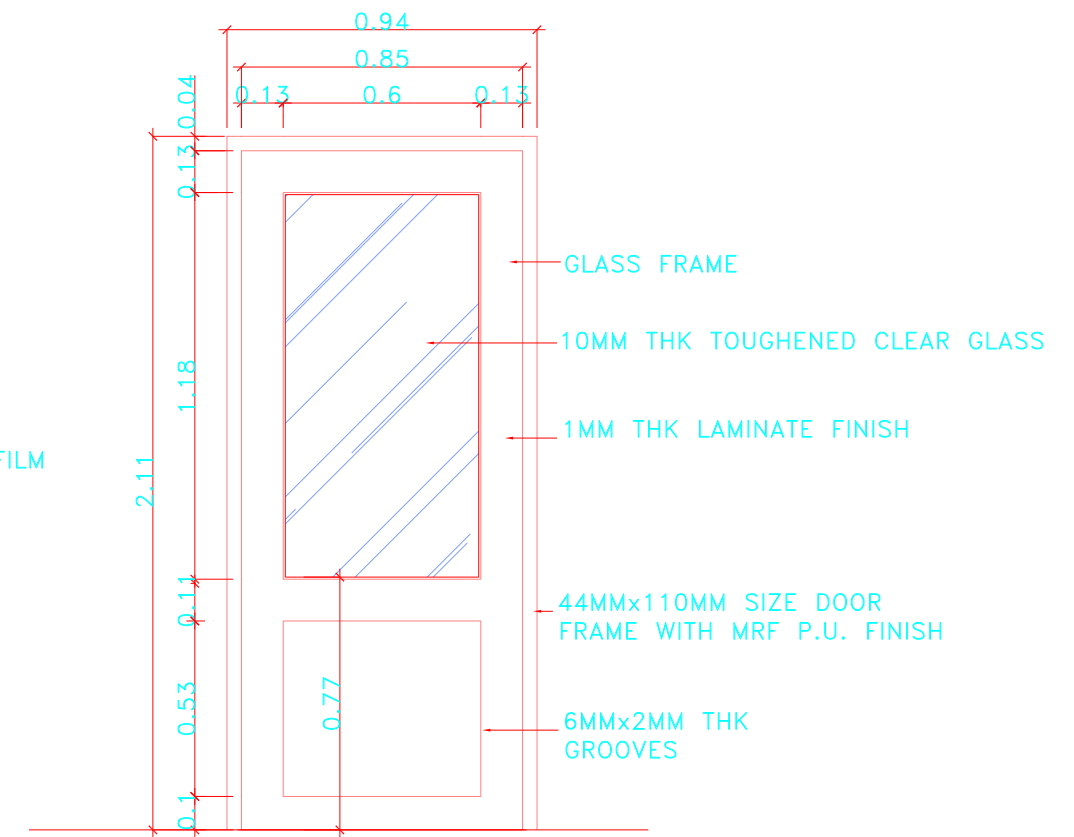
14/ddw/p3/icsr/iit/13-14



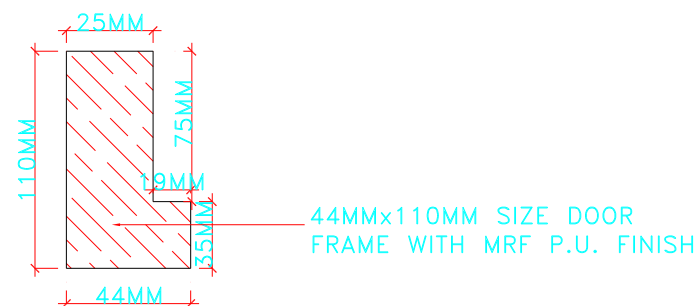
TYPICAL SOLID DOOR
ELEVATION



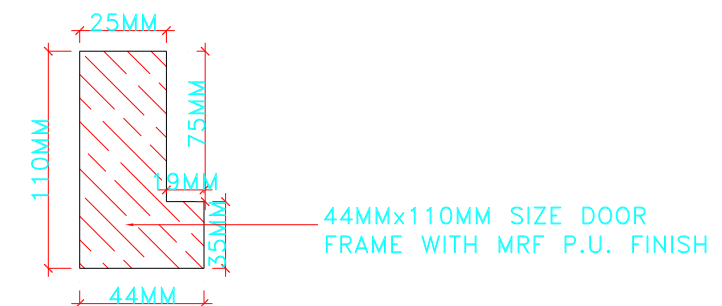
TYPICAL SOLID WOOD GLAZED DOOR
ELEVATION



TYPICAL PARTIALLY GLASS
DOOR ELEVATION



DOOR FRAME



DOOR FRAME

NOTES

- 1 ALL DIMENSIONS ARE IN METRES
- 2 ALL DIMENSIONS TO BE CHECKED ON SITE
- 3 THE DETAIL MAY VARY IF NOT APPROVED BY CONCERN DEP.
- 4 THE SAMPLE HAS TO BE APPROVED BEFORE THE SUPPLY/ASSEMBLY ON SITE

note:*the laminate grain pattern to run vertically for all partitions/vertical/standing surfaces and to run horizontally for all work tops/table tops/ any running horizontal surfaces.This is common for all laminated surfaces only.
*any mdf edges resting on floor should have teakwood beading of 8mm thk fixed on edge between mdf and the floor

typical door details

17/05/2013

15/ddw/p3/icsr/iit/13-14