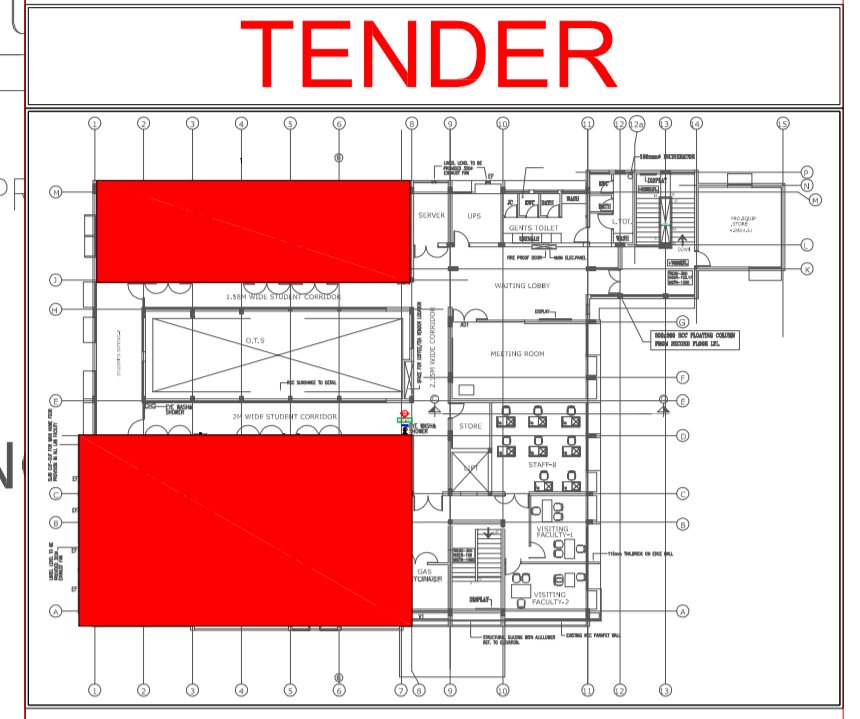


NOTE:

- All dimensions in mm
- All wall to wall dimensions are to be verified at site.
- All Floor mounted case work should be with 100mm height toe space.

Legend For View Indicator
View-ID
X
Y
Sheet No. To Be Referred

Note:
• Lab Stools and Chairs Shown are for Knee Space Indication Purpose Only



KEYPLAN

SLAB CUT-OUT FOR MAIN HUME FOOD PROVISION IN ALL LAB FACILITY

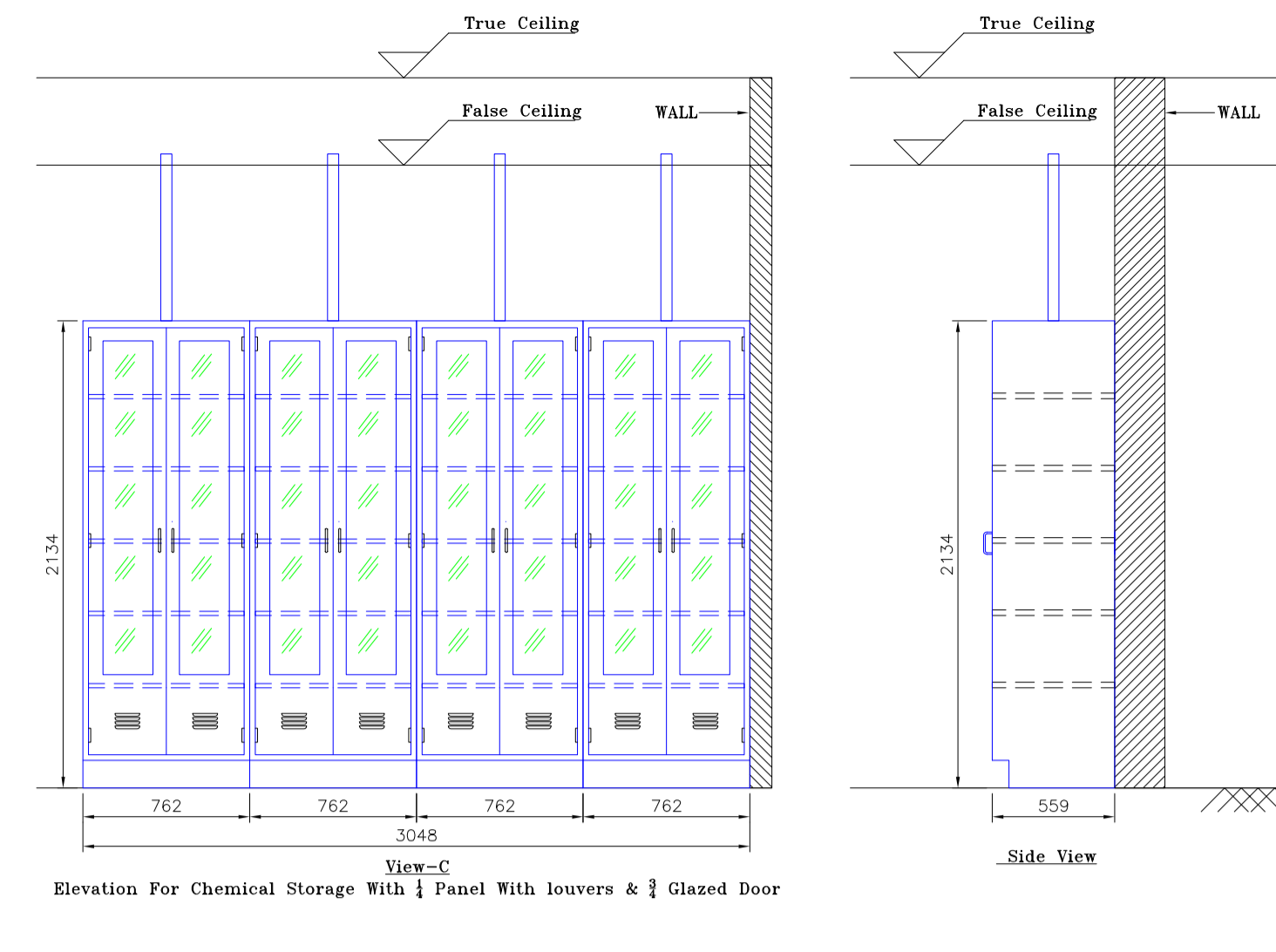
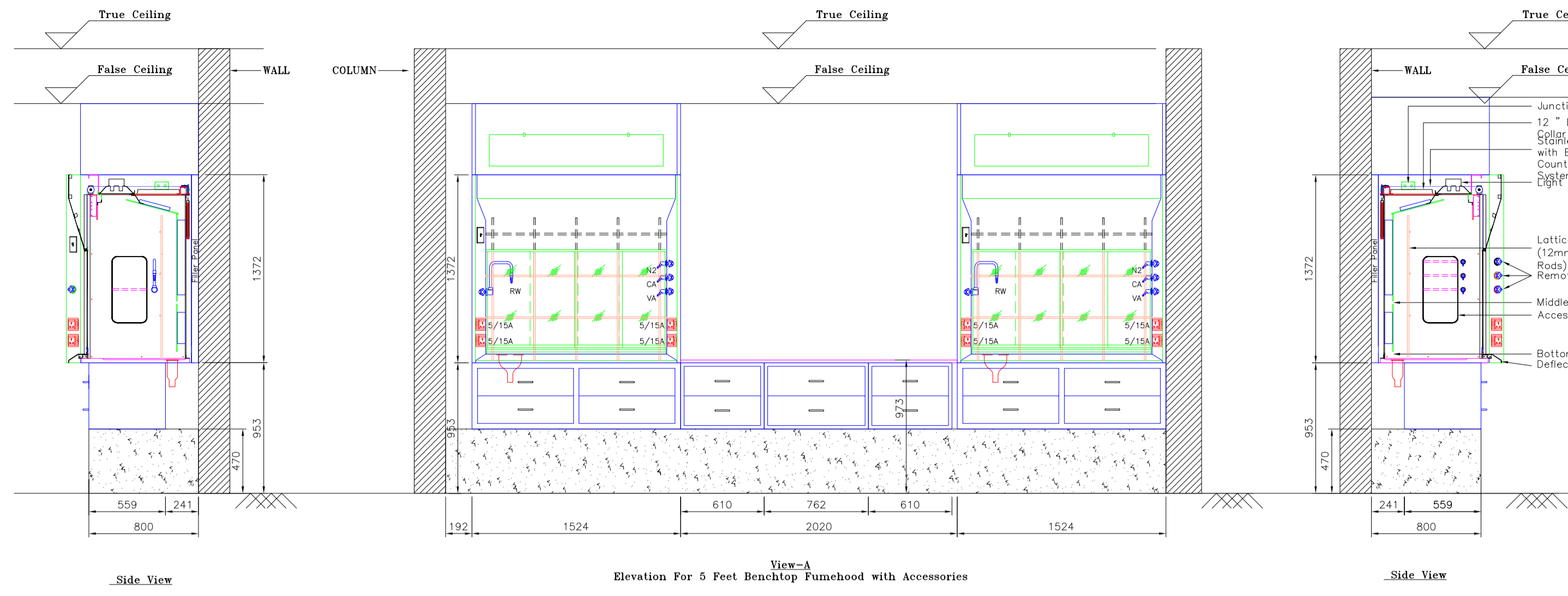
LINTEL LEVEL TO BE PROVIDED 300Ø EXHAUST FAN

Client:

INDIAN INSTITUTE OF TECHNOLOGY
 MADRAS

Drawing Title:
Laboratory Furniture and Fumehood Layout
Second Floor
Plan View

Issue Date: 20.02.2014	Drawing No: IITM-TEND-1001
Revision: 00	



NOTE:

- All dimensions in mm
- All wall to wall dimensions are to be verified at site.
- All Floor mounted case work should be with 100mm height toe space.

Legend For View Indicator

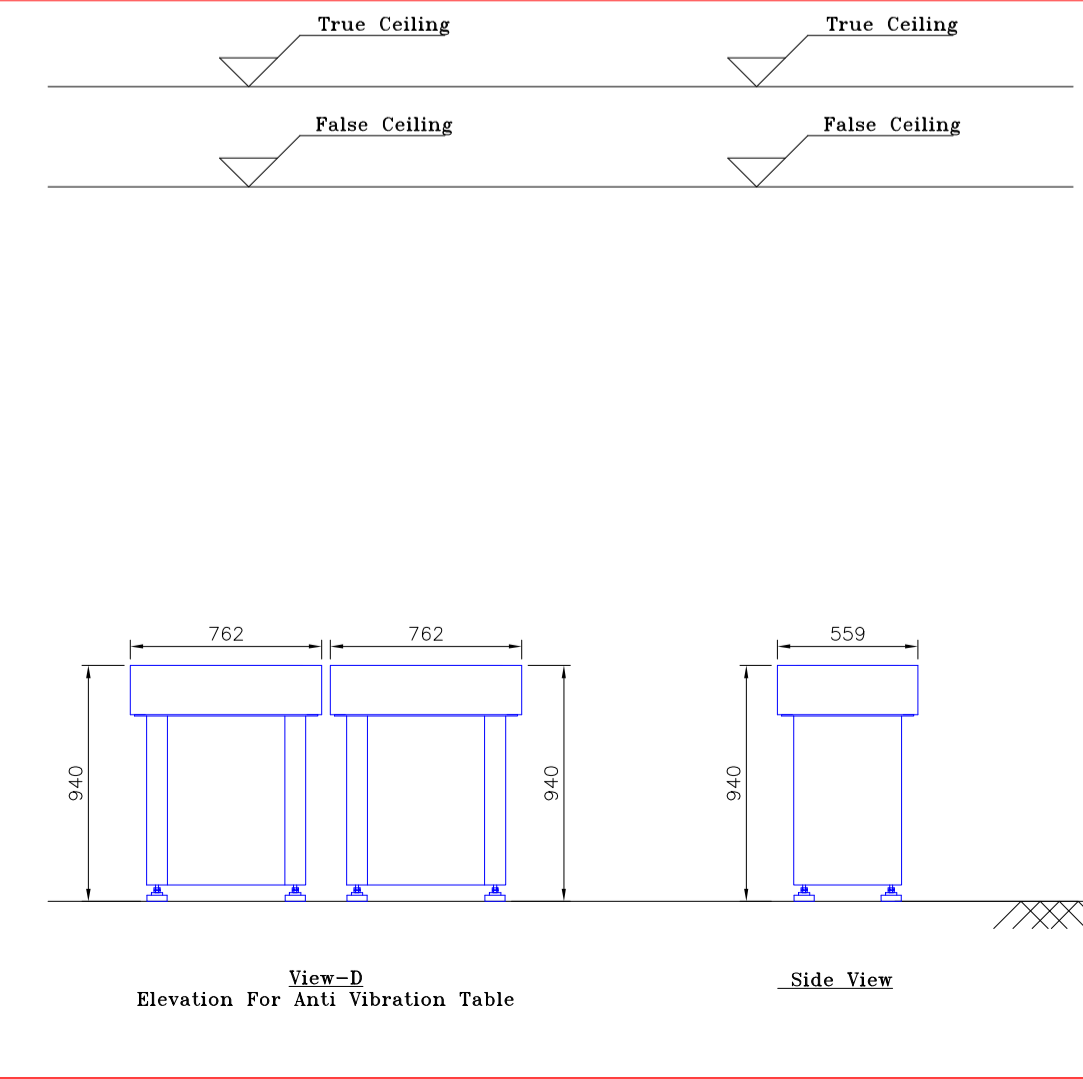
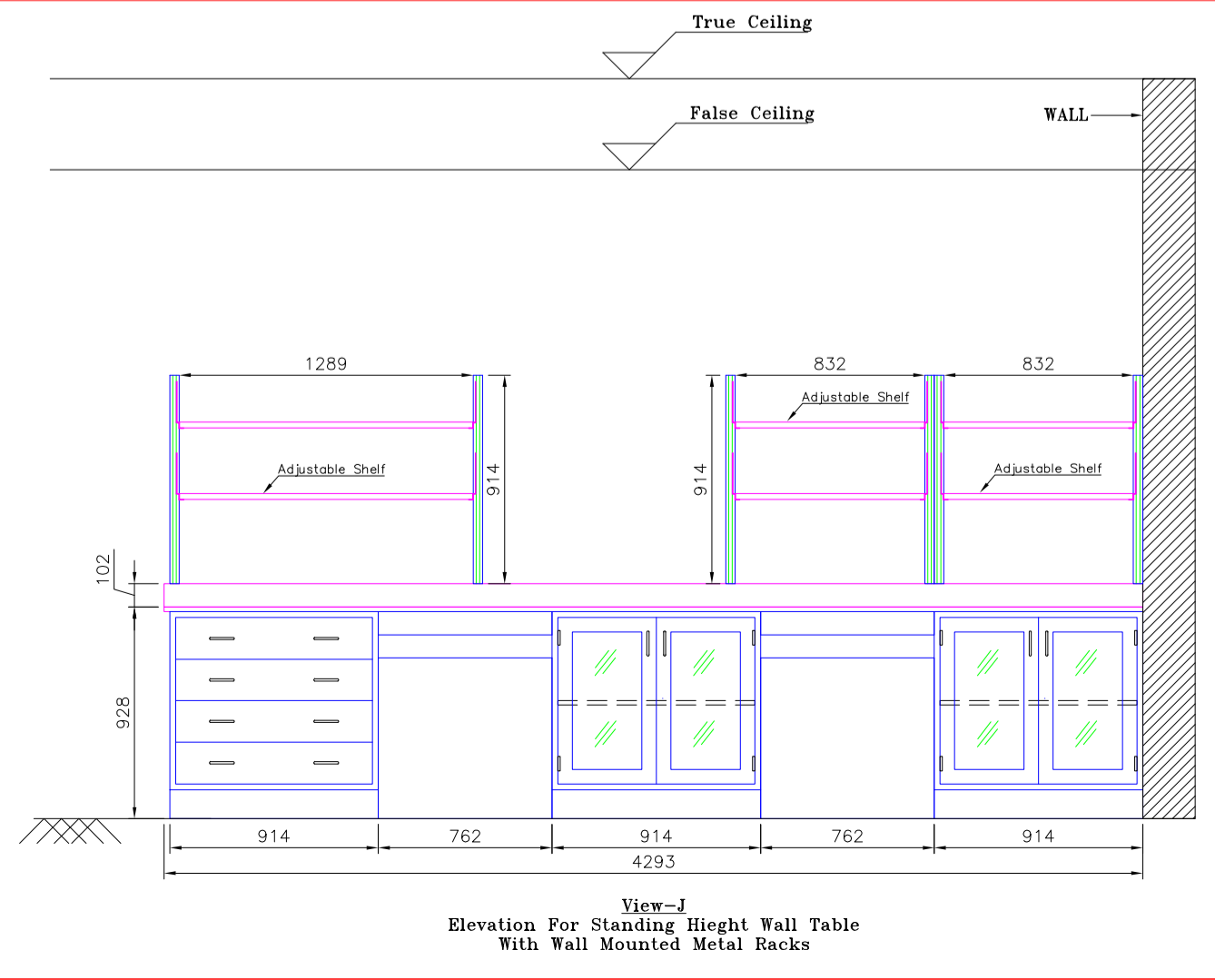
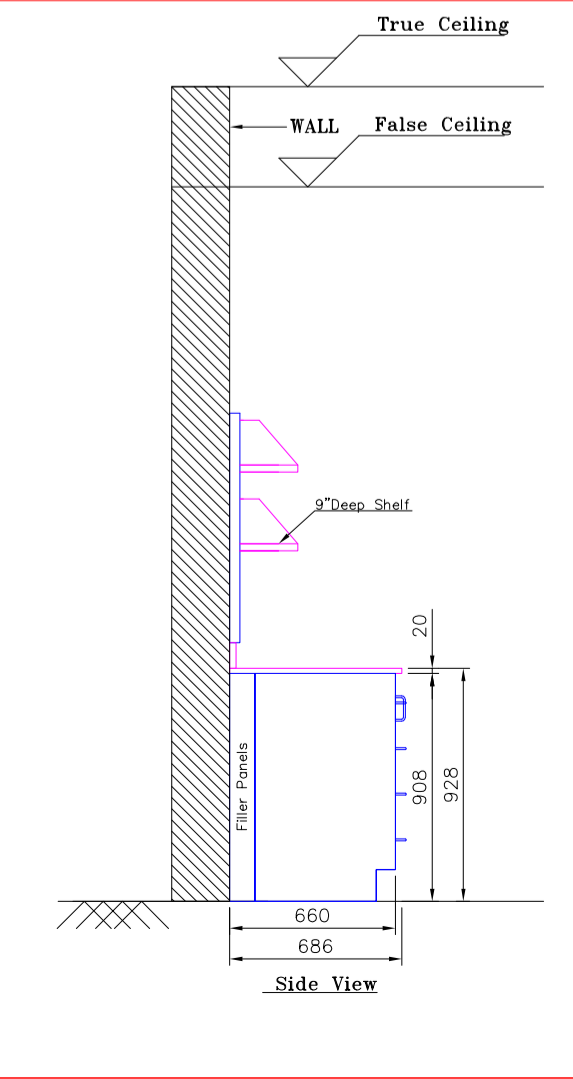
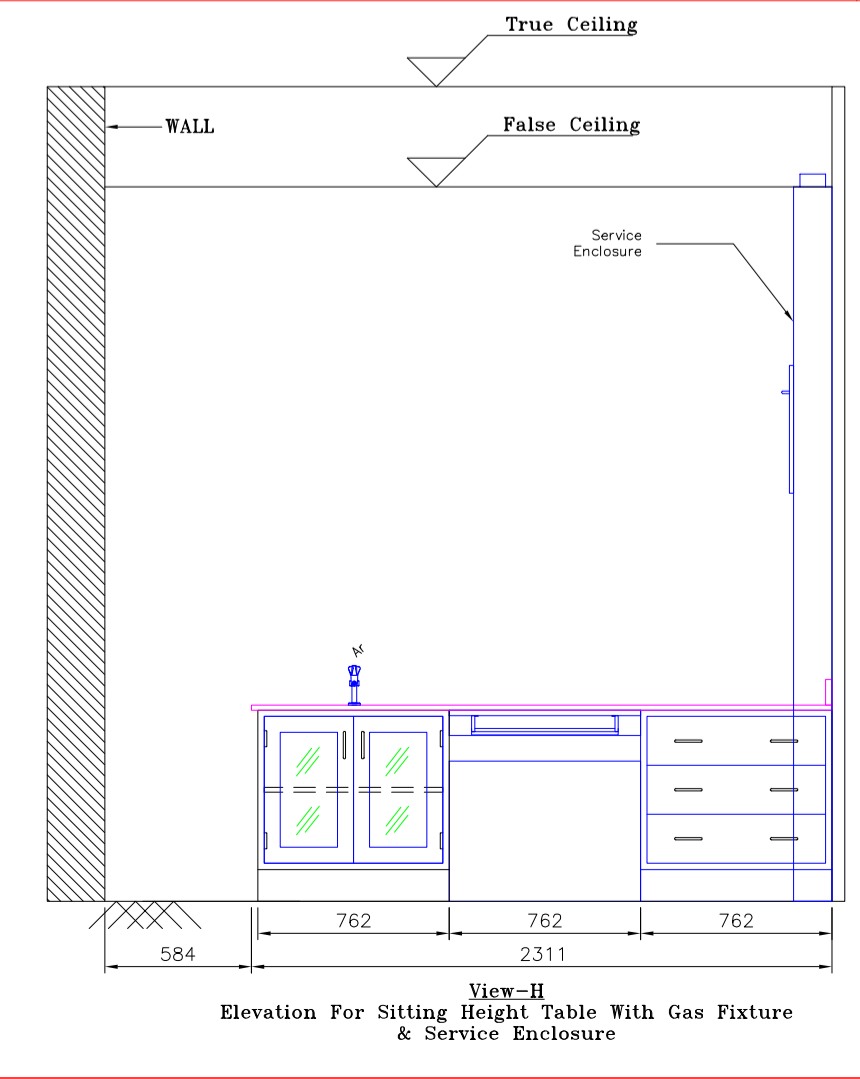
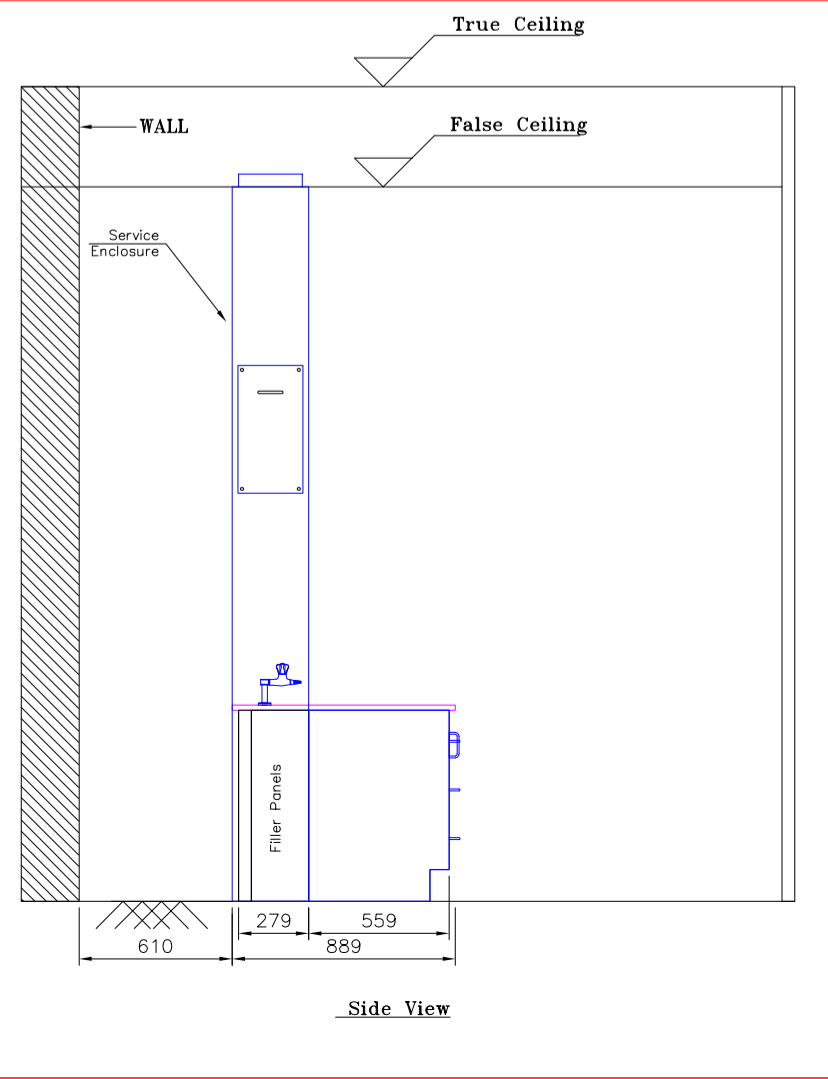
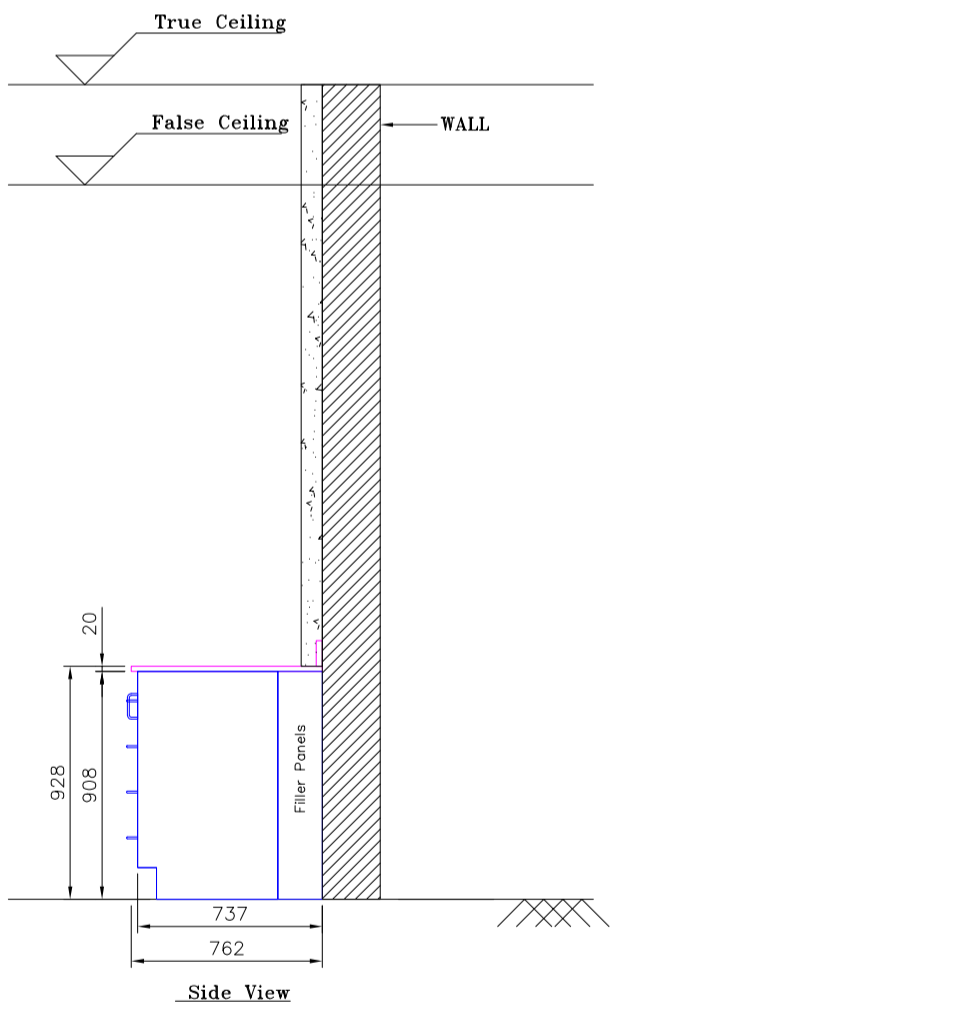
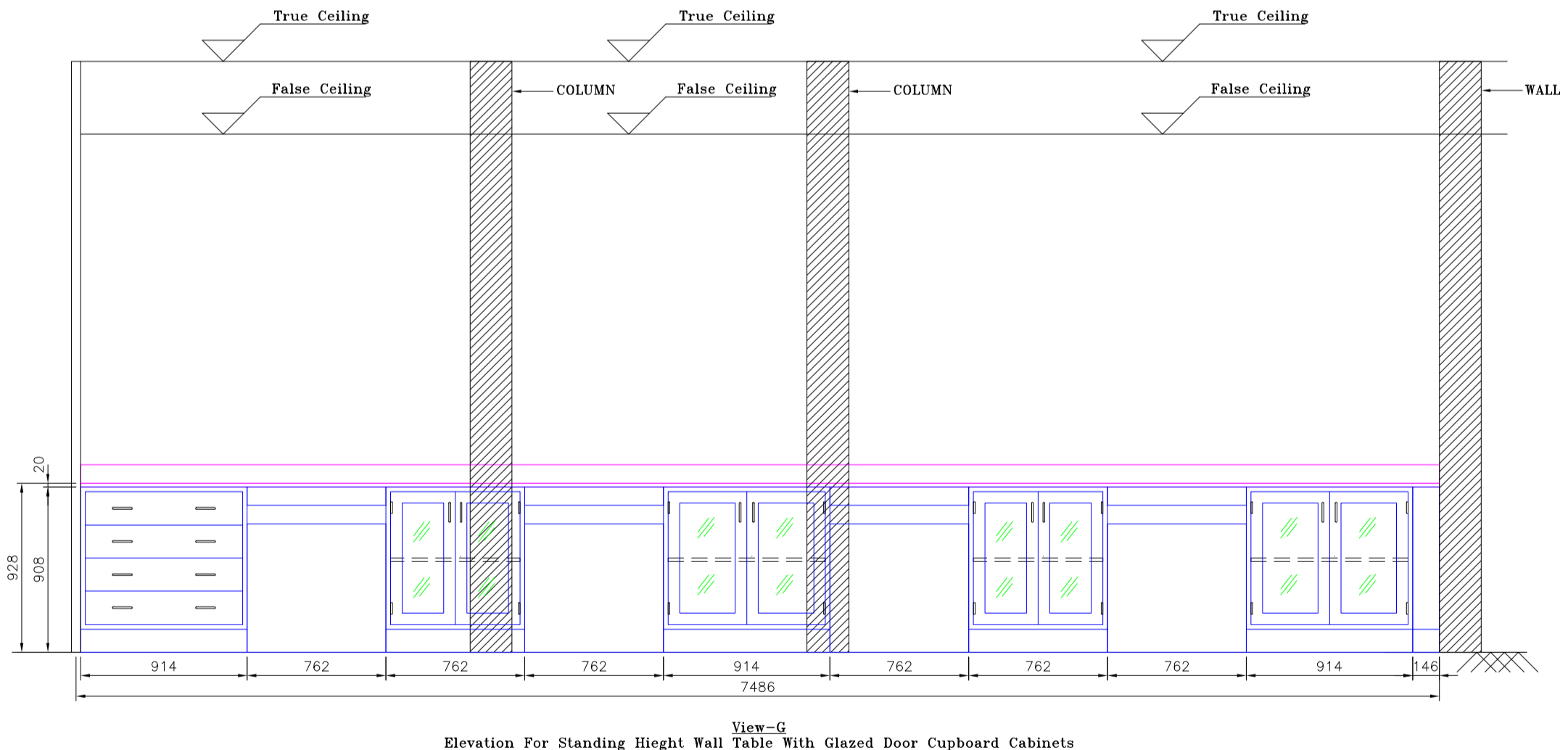
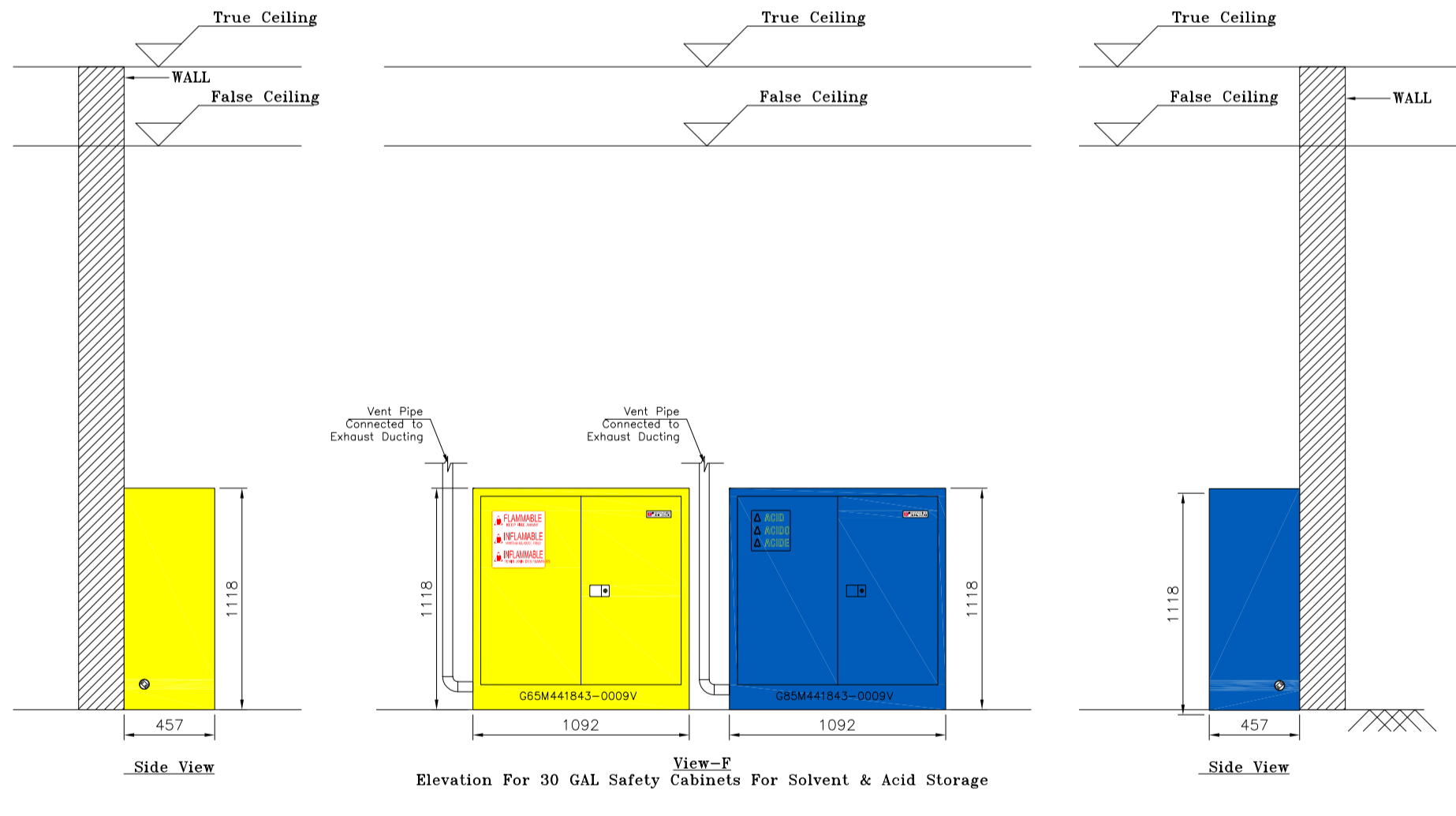
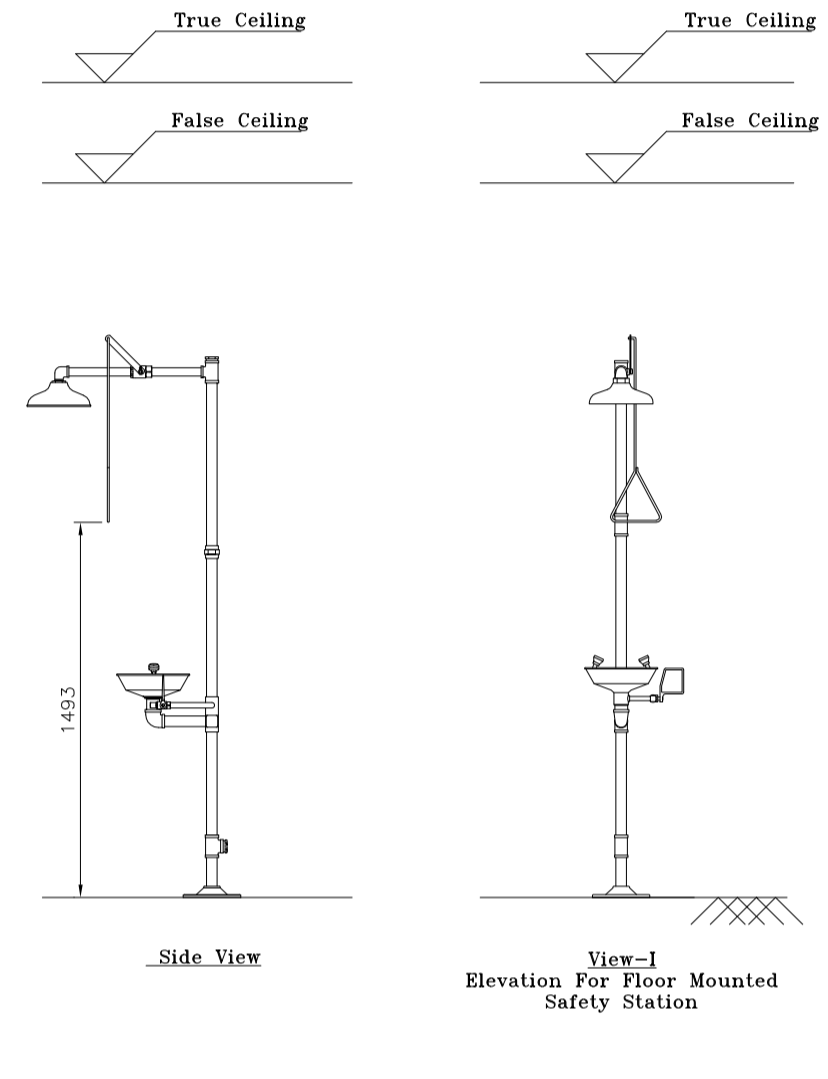
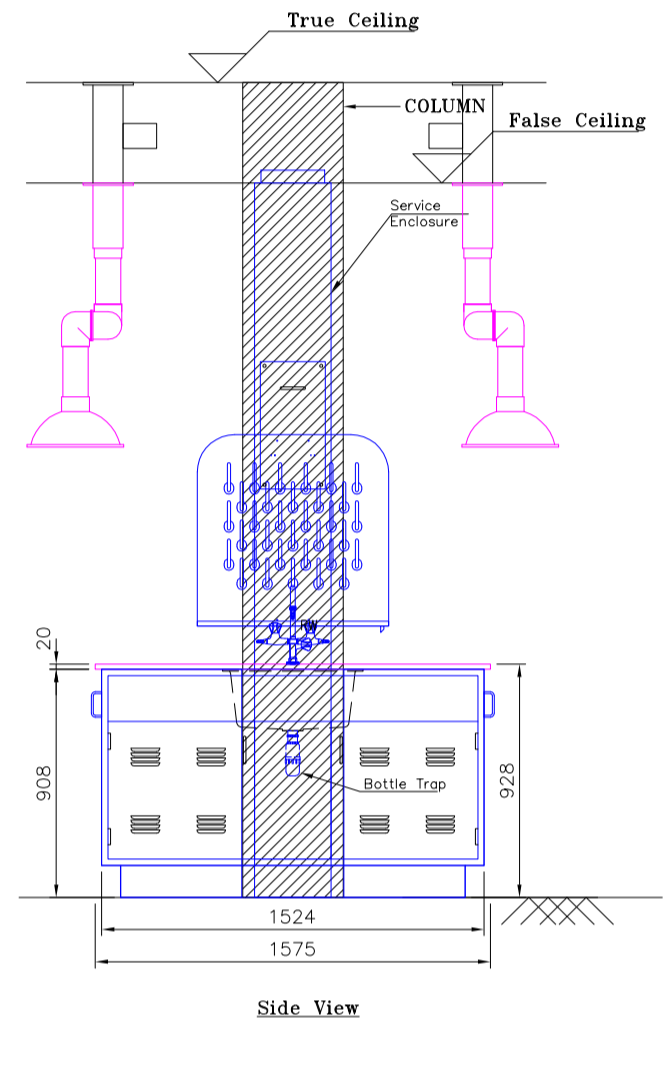
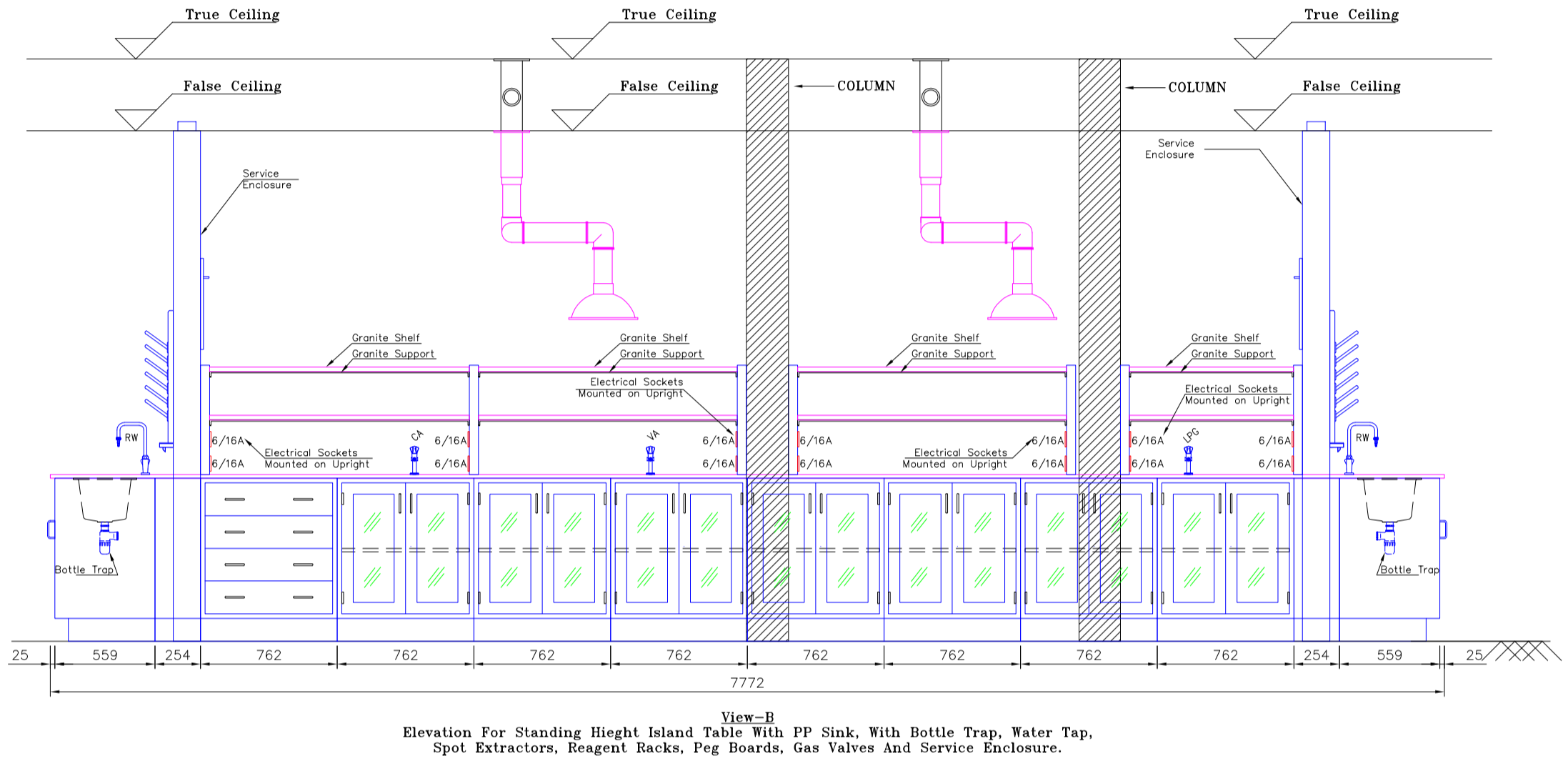
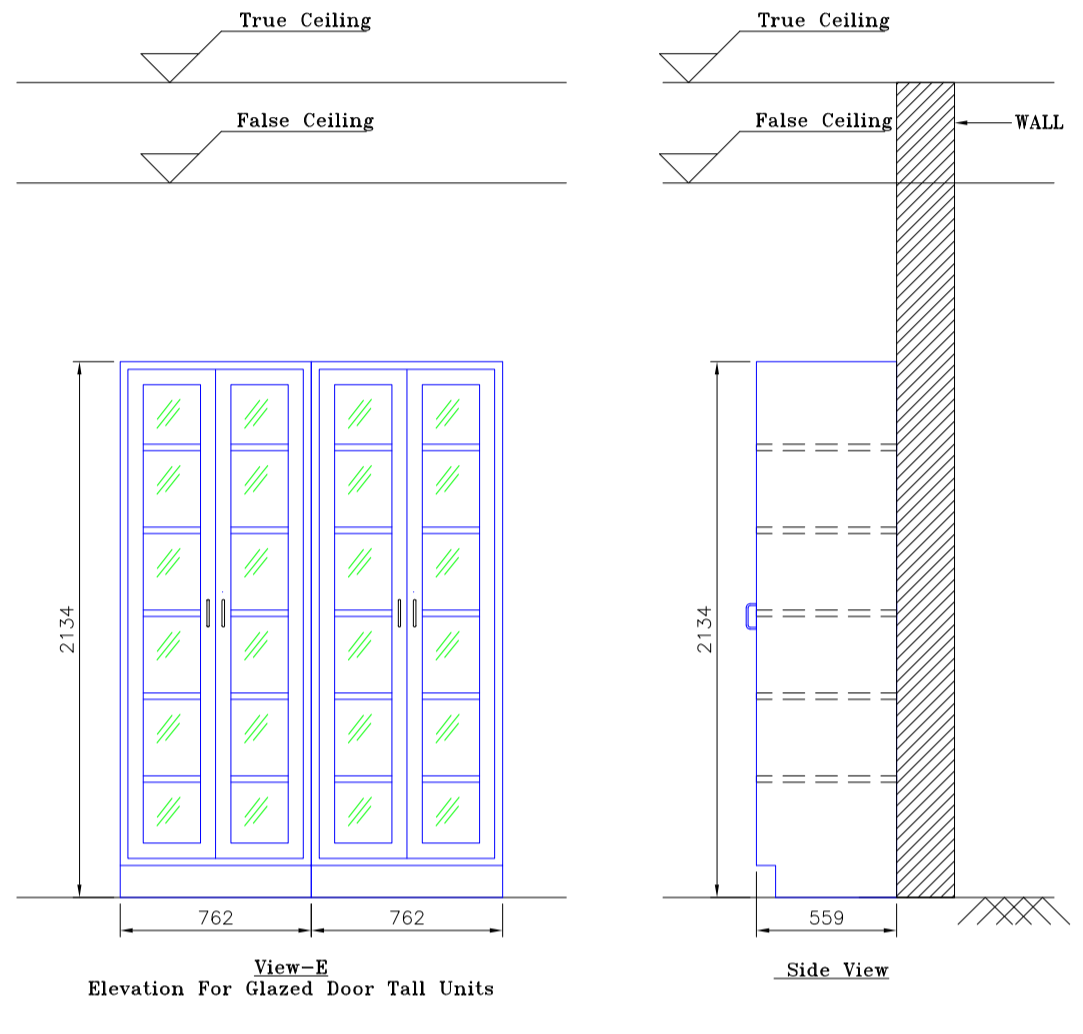
View-ID

Sheet No. To Be Referred

Note:

- Lab Stools and Chairs Shown are for Knee Space Indication Purpose Only

TENDER



Client:

INDIAN INSTITUTE OF TECHNOLOGY MADRAS

Drawing Title: **Laboratory Furniture and Fumehood Layout Second Floor Elevation View**

Issue Date: 20.02.2014

Drawing No: IITM-TEND-1002

Revision: 00