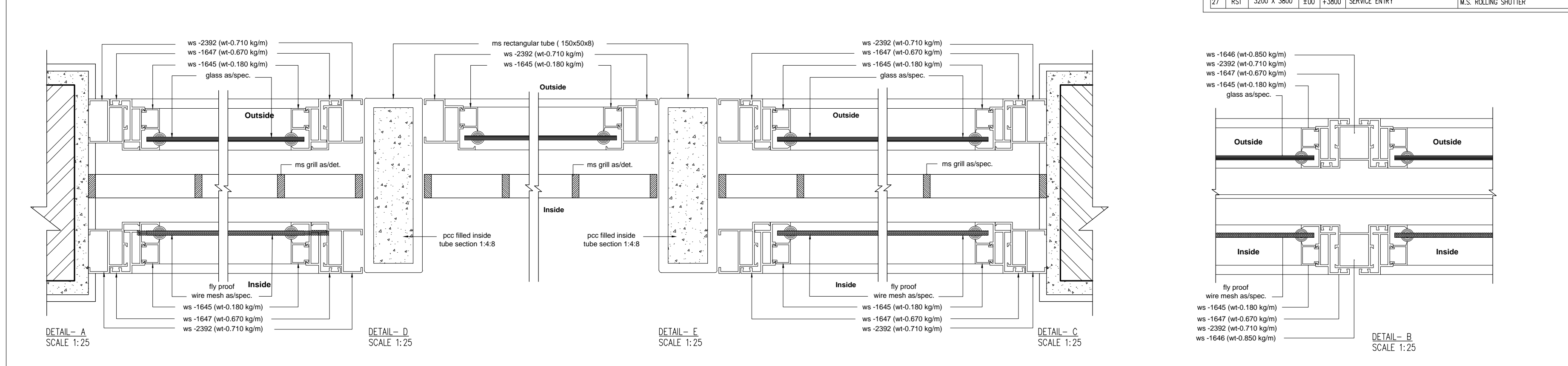


DOOR WINDOW SCHEDULE						
SNO	ITEMS	SIZE	CLL	LINTEL	LOCATION	DESCRIPTION
1	GL1	5080 X 3650	±00	+3650	MAIN ENTRANCE	ALUMINUM FRAMING
2	GL2	1540 X 2650	+1000	+3650	FRONT GLAZING	ALUMINUM FRAMING
3	GL3	3780 X 2650	+1000	+3650	FRONT GLAZING	ALUMINUM FRAMING
4	GL4	2200 X 2650	+1000	+3650	DINING HALL GLAZING	ALUMINUM FRAMING
5	GL5	1500 X 2000	+1000	+3000	KITCHEN GLAZING	ALUMINUM FRAMING
6	GL6	1500 X 2100	+450	+2550	SERVICE STAIRCASE GLAZING	ALUMINUM FRAMING
7	GL7	2440 X 3000	±00	+3000	DINING ENTRY	ALUMINUM FRAMING
8	W1	900 X 1100	+1000	+2100	KITCHEN WINDOW	WOODEN FRAMING
9	W2	2400 X 1100	+1000	+2100	KITCHEN WINDOW	WOODEN FRAMING
10	V1	1050 X 750	+2100	+2850	SERVICE TOILET VENTILATOR	ALUMINUM FRAMING
11	V2	750 X 600	+2400	+3000	HAND WASH VENTILATOR	ALUMINUM FRAMING
12	V3	1500 X 750	+2100	+2850	MAIN TOILET VENTILATOR	ALUMINUM FRAMING
13	V4	900 X 900	+1500	+2400	MACHINE ROOM VENTILATOR	ALUMINUM FRAMING
14	D1	1500 X 2100	± 00	+2100	STORE & KITCHEN DOOR	WOODEN FLUSH DOOR
15	D2	1200 X 2100	± 00	+2100	KITCHEN DOOR	WOODEN FLUSH DOOR
16	D3	1000 X 2100	± 00	+2100	GENTS' DORMITORY DOOR	WOODEN FLUSH DOOR
17	D4	1000 X 2100	± 00	+2100	TOILET DOORS	WOODEN FLUSH DOOR WITH PVC
18	D5	700 X 2100	± 00	+2100	SHAFT DOORS	WOODEN FLUSH DOOR
19	D6	700 X 2100	± 00	+2100	WC DOORS	ALUMINUM FRAMING
20	D7	1500 X 2100	± 00	+2100	EXTERNAL STAIRCASE DOOR	WOODEN FIRE RATED DOOR
22	D8	1500 X 2400	± 00	+2400	EXTERNAL GARBAGE EXIT DOOR	ALUMINUM FRAMING
21	D9	900 X 2100	± 00	+2100	ELECTRICAL PANEL DOOR	WOODEN FLUSH DOOR
23	D10	1000 X 2100	± 00	+2100	MUMTY DOORS	M.S. DOOR & FRAME
24	D11	900 X 2100	± 00	+2100	MACHINE ROOM DOOR	M.S. DOOR & FRAME
25	D12	1000 X 2100	± 00	+2100	PHYSICALLY CHALLENGED DOOR	WOODEN SLIDING DOOR
26	D13	1000 X 2100	± 00	+2100	GAS BANK DOOR	M.S. DOOR & FRAME
27	RSI	3200 X 3800	±00	+3800	SERVICE ENTRY	M.S. ROLLING SHUTTER



NOTES:
 1. All dimensions are in mm unless noted otherwise.
 2. The dimensions are to be read and not scaled off the drawing.
 3. Any discrepancy in the drawing shall be brought to the notice of the Architects.
 4. This drawing is to be read in conjunction with other relevant drawings & specifications given in the tender document.
 5. Only the latest revision of the drawings shall be considered valid for all purposes.

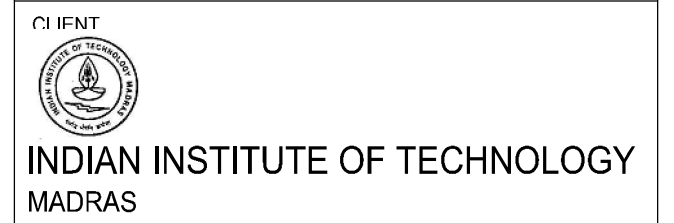
REVISIONS:		
SL.	DATE	DESCRIPTION
-	-	-
-	-	-
-	-	-
-	-	-
-	-	-
-	-	-
-	-	-
-	-	-
-	-	-

KITCHEN CONSULTANTS
SRB Kitchen concepts
 D-1/1048, Vasant Kunj, New Delhi- 110070

SERVICE CONSULTANTS (MEP)
AECOM
 A-197, Sector 63, Noida- 201301

STRUCTURE CONSULTANTS
Jehovahking Engineering Consultants Pvt. Ltd.
 Gundy, Chennai- 600032

PROJECT
NEW DINING FACILITY AT KRISHNA HOSTEL
 IIT MADRAS, CHENNAI

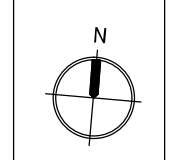


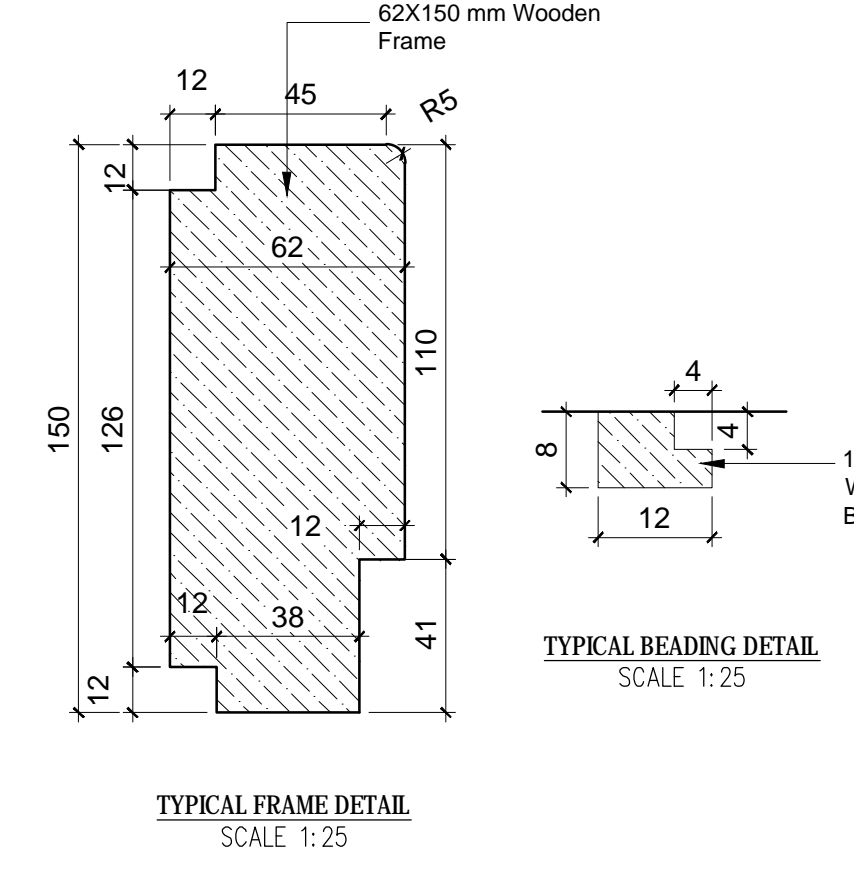
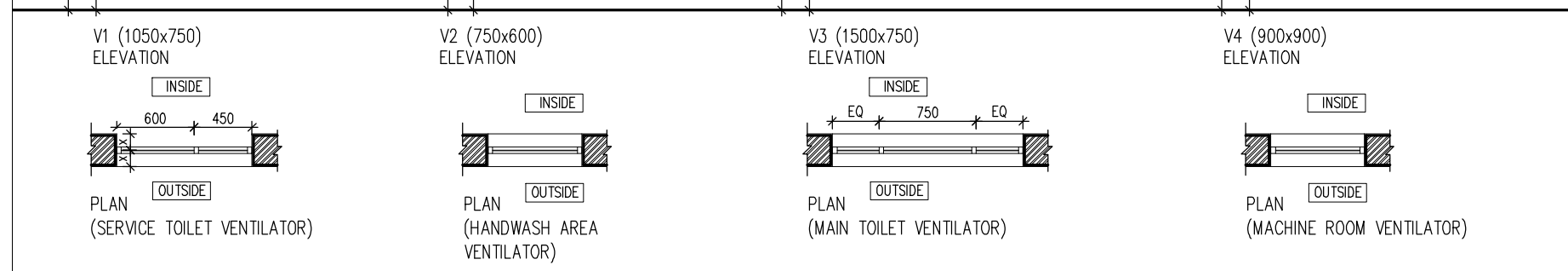
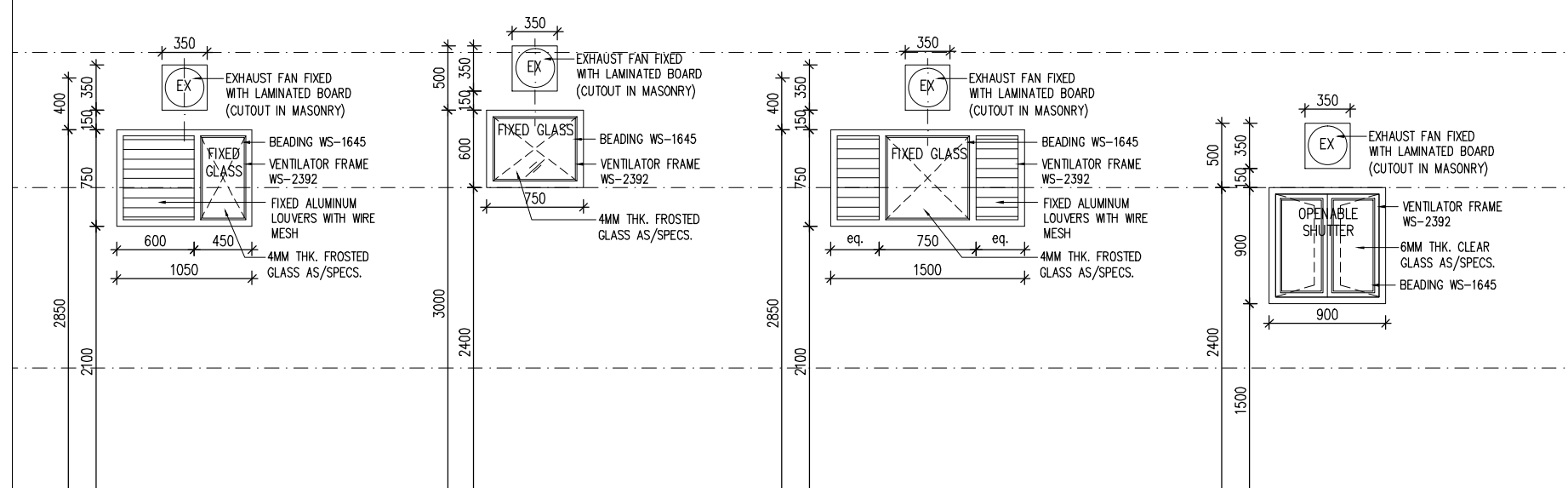
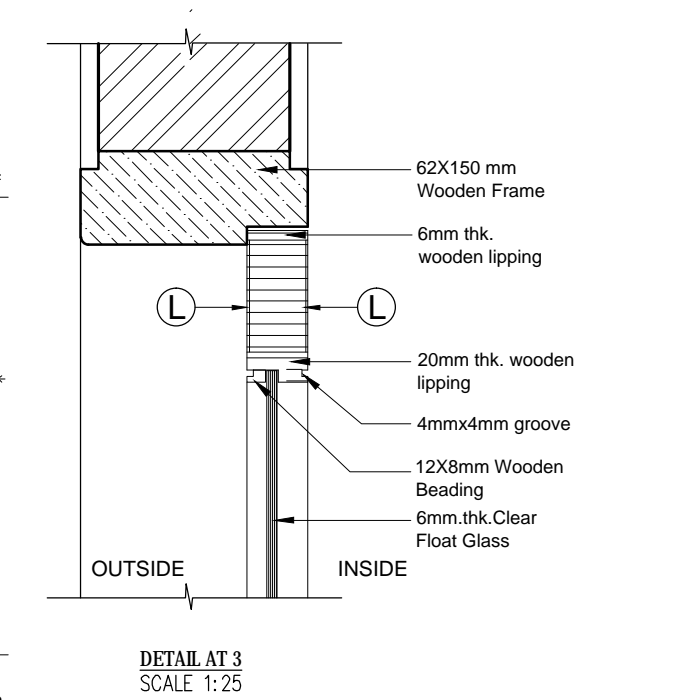
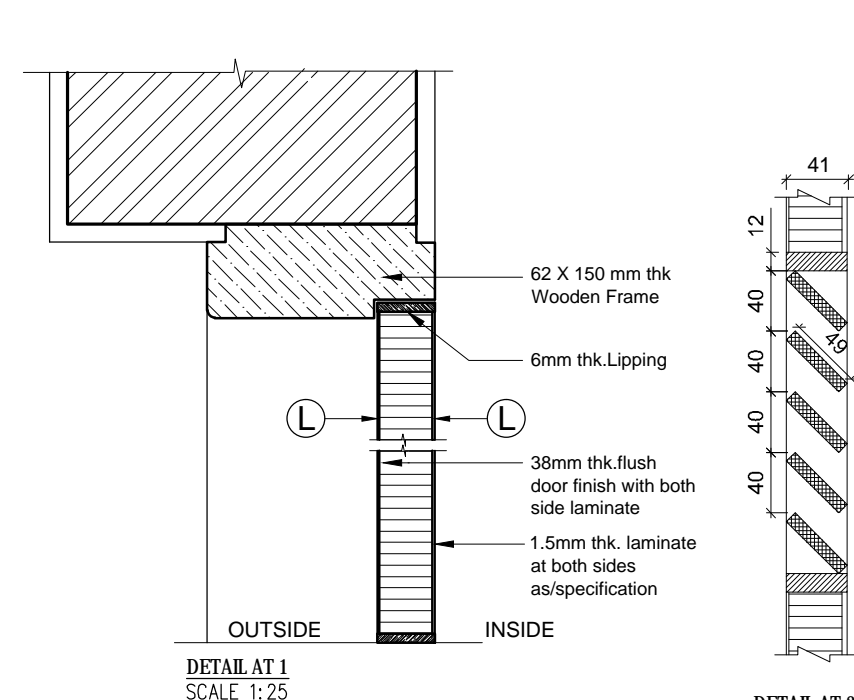
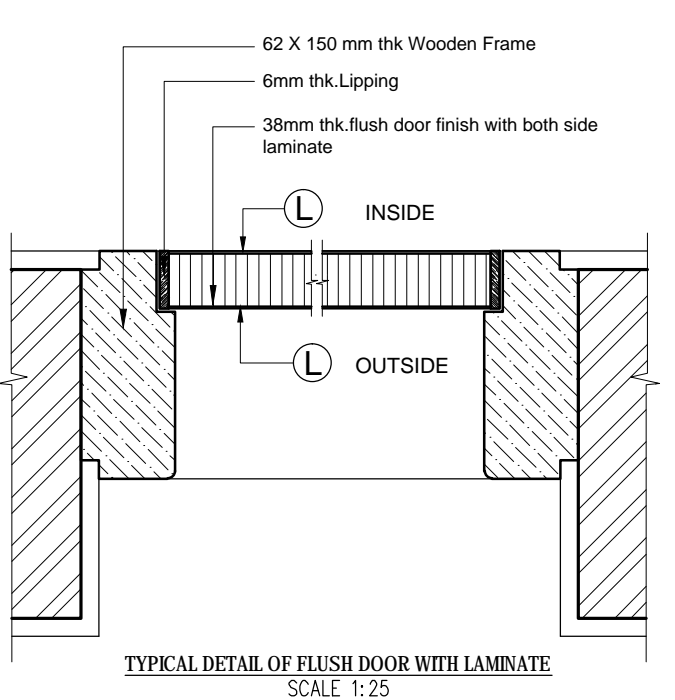
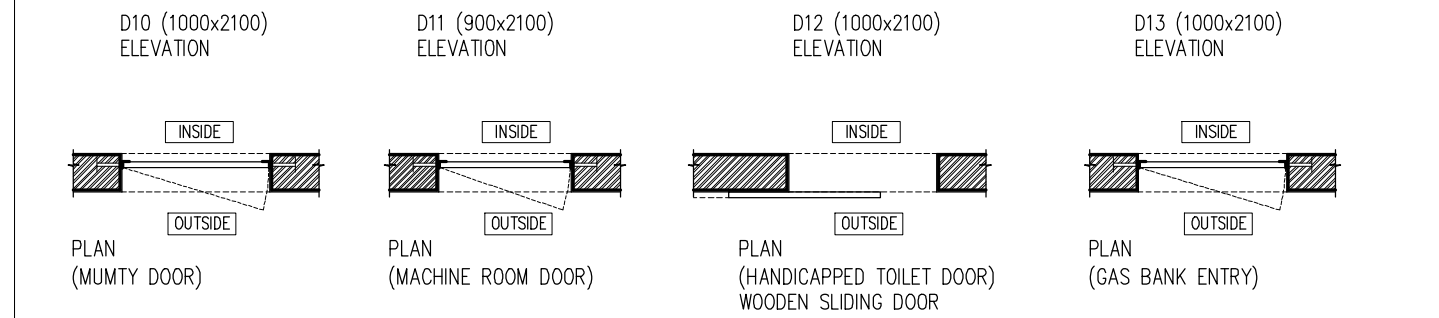
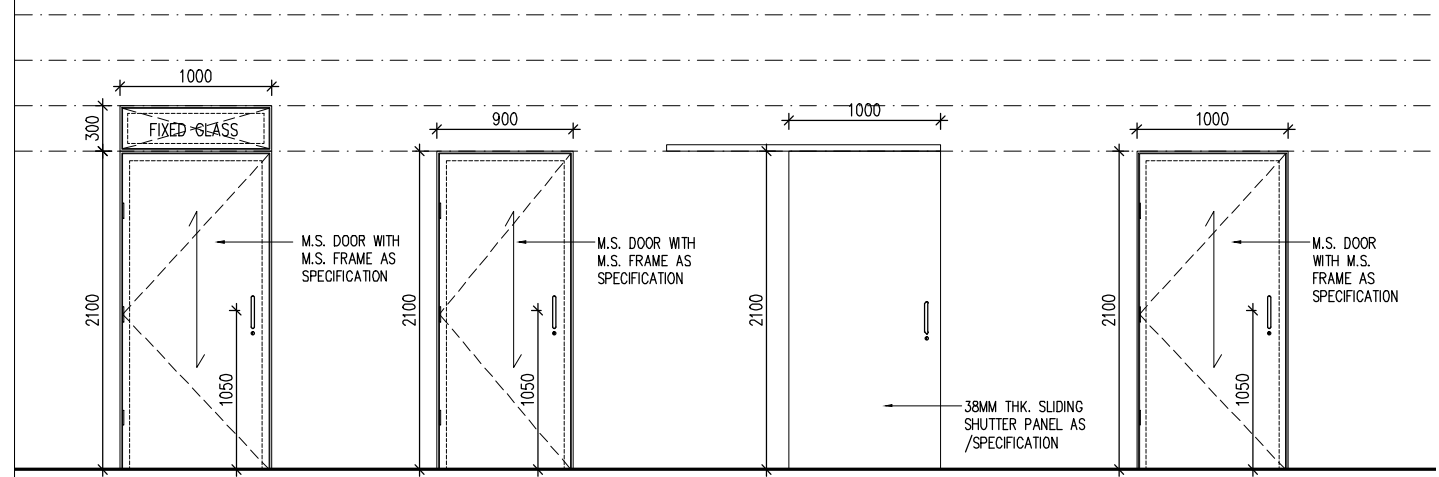
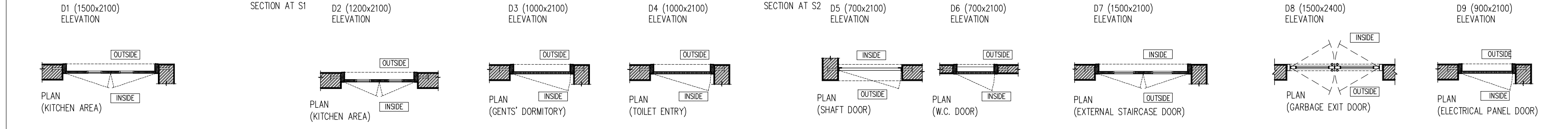
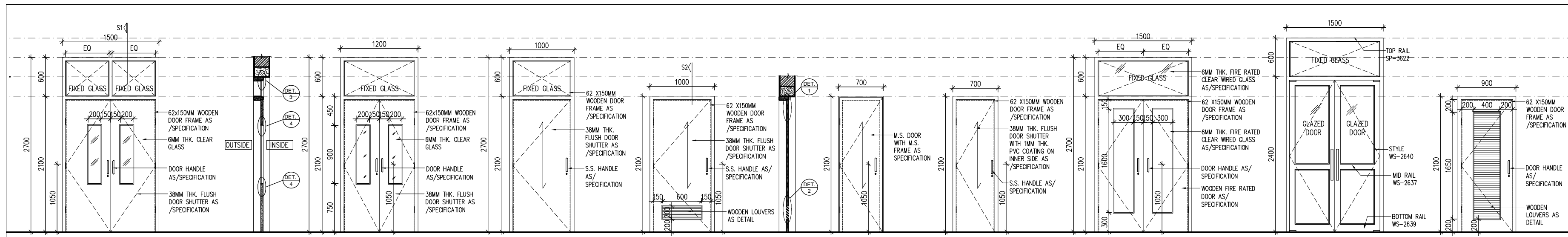
ARCHITECT
ADPL
Aadharshila Designs Pvt. Ltd.
 B-4/124, L. G. F., Safdarjung Enclave, New Delhi- 110029.
 Tel: +91 11 26100433-6, Fax: +91 11 26177678,
 E-mail: adpl@adpl.in

COPYRIGHT
 This drawing is the property of Aadharshila Designs Pvt. Ltd. It shall not be copied, used in any manner and handed over to any person or party without the prior permission of Aadharshila Designs Pvt. Ltd.

DRAWING TITLE		
DOOR - WINDOW DETAILS- 1		
DATE	SCALE	REV.
01.11.2013	1:50	
DRAWING NO.		
IITM/KD/DD/		AR-401

DETAILED ARCHITECTURAL DRAWING





NOTES:
 1. All dimensions are in mm unless noted otherwise.
 2. The dimensions are to be read and not scaled off the drawing.
 3. Any discrepancy in the drawing shall be brought to the notice of the Architects.
 4. This drawing is to be read in conjunction with other relevant drawings & specifications given in the tender document.
 5. Only the latest revision of the drawings shall be considered valid for all purposes.

REVISIONS:


SL.	DATE	DESCRIPTION
-	-	-
-	-	-
-	-	-
-	-	-
-	-	-
-	-	-
-	-	-
-	-	-
-	-	-
-	-	-

KITCHEN CONSULTANTS
SRB Kitchen concepts
 D-1/1048, Vasant Kunj, New Delhi- 110070

SERVICE CONSULTANTS (MEP)
AECOM
 A-197, Sector 63, Noida- 201301

STRUCTURE CONSULTANTS
Jehovahking Engineering Consultants Pvt. Ltd.
 Guindy, Chennai- 600032

PROJECT
NEW DINING FACILITY AT KRISHNA HOSTEL
 IIT MADRAS, CHENNAI

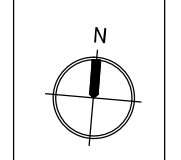
CLIENT

INDIAN INSTITUTE OF TECHNOLOGY MADRAS

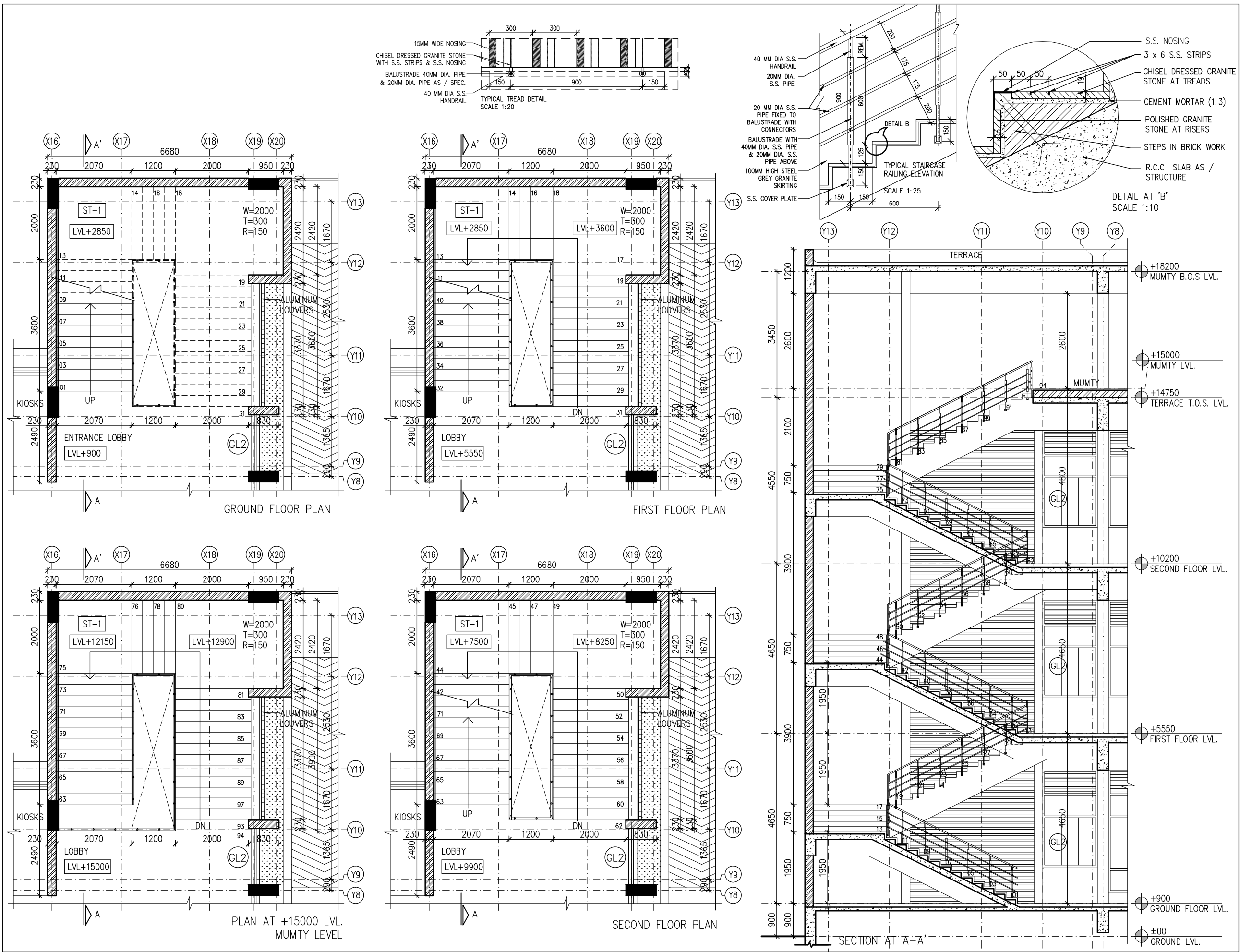
ARCHITECT
ADPL
Aadharshila Designs Pvt. Ltd.
 B - 4/124, L. G. F., Safdarjung Enclave, New Delhi - 110029.
 Tel: +91 11 26100433 - 6, Fax: +91 11 26177678,
 E-mail: adpl@adpl.in

COPYRIGHT
 This drawing is the property of Aadharshila Designs Pvt. Ltd. It shall not be copied, used in any manner and handed over to any person or party without the prior permission of Aadharshila Designs Pvt. Ltd.

DRAWING TITLE		REV.
DOOR - WINDOW DETAILS- 2		
DATE	SCALE	REV.
01.11.2013	1:50	
DRAWING NO.		
IITM/KD/DD/		AR-402

DETAILED ARCHITECTURAL DRAWING





- NOTES:**
- All dimensions are in mm unless noted otherwise.
 - The dimensions are to be read and not scaled off the drawing.
 - Any discrepancy in the drawing shall be brought to the notice of the Architects.
 - This drawing is to be read in conjunction with other relevant drawings & specifications given in the tender document.
 - Only the latest revision of the drawings shall be considered valid for all purposes.

REVISIONS:

SL.	DATE	DESCRIPTION
-	-	-
-	-	-
-	-	-
-	-	-
-	-	-
-	-	-
-	-	-
-	-	-
-	-	-
-	-	-

KITCHEN CONSULTANTS
SRB Kitchen concepts
 D-1/ 1048, Vasant Kunj, New Delhi- 110070

MEP SERVICES CONSULTANT
AECOM
 A-197, Sector 63, Noida-201301

STRUCTURAL CONSULTANTS
Jehovahking Engineering Consultants Pvt. Ltd.
 Guindy, Chennai- 600032

PROJECT
NEW DINING FACILITY AT KRISHNA HOSTEL
IIT MADRAS, CHENNAI

CLIENT



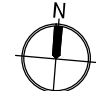
INDIAN INSTITUTE OF TECHNOLOGY MADRAS

ARCHITECT

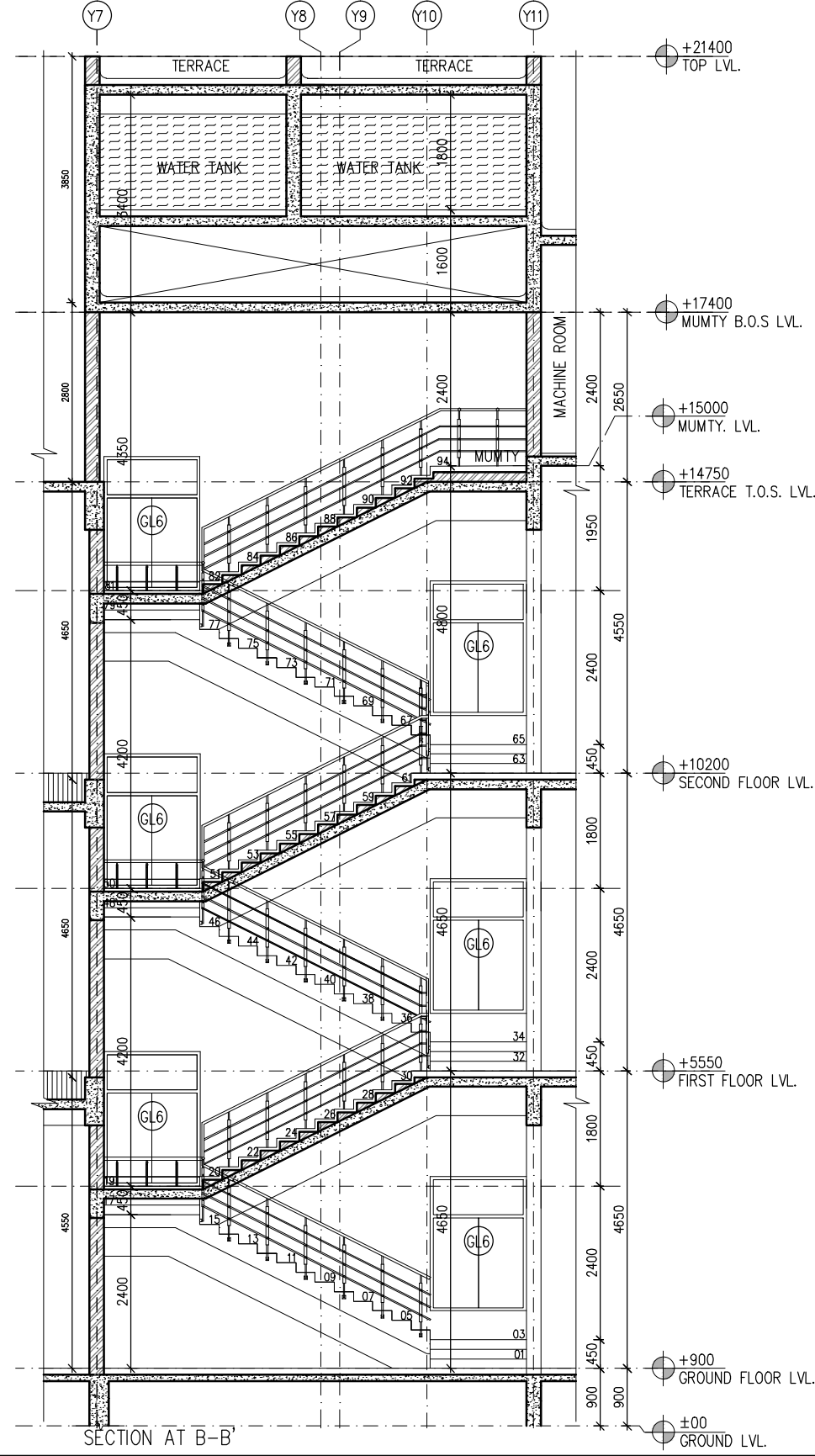
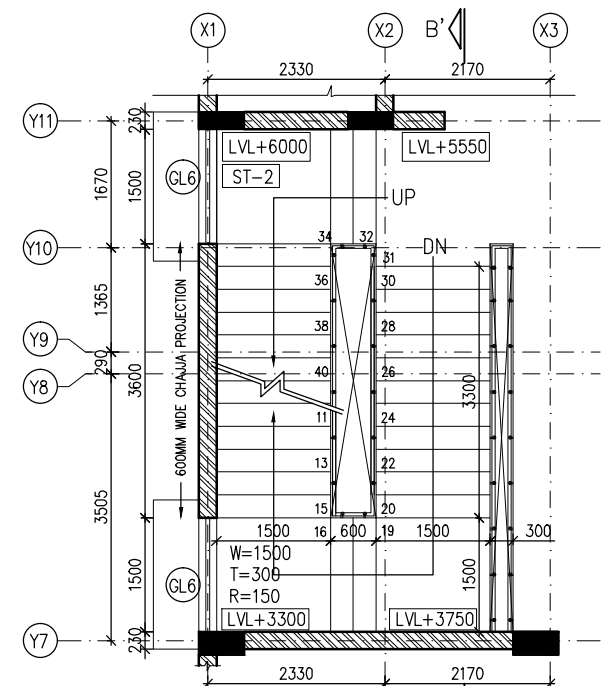
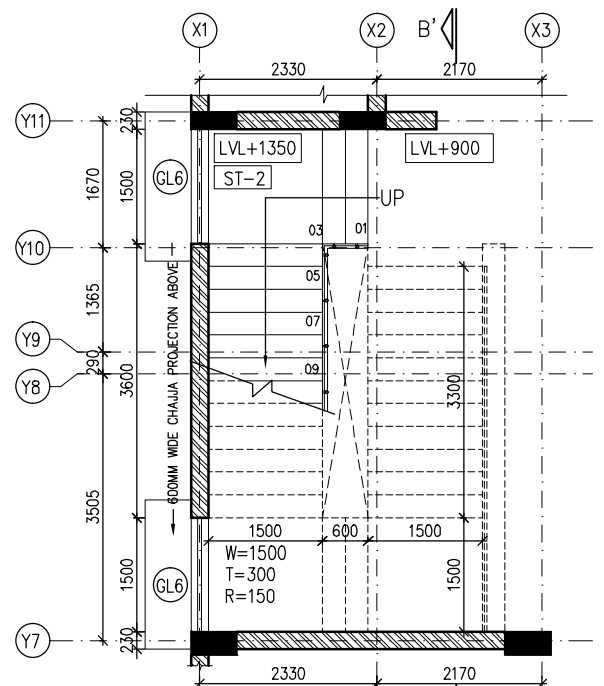
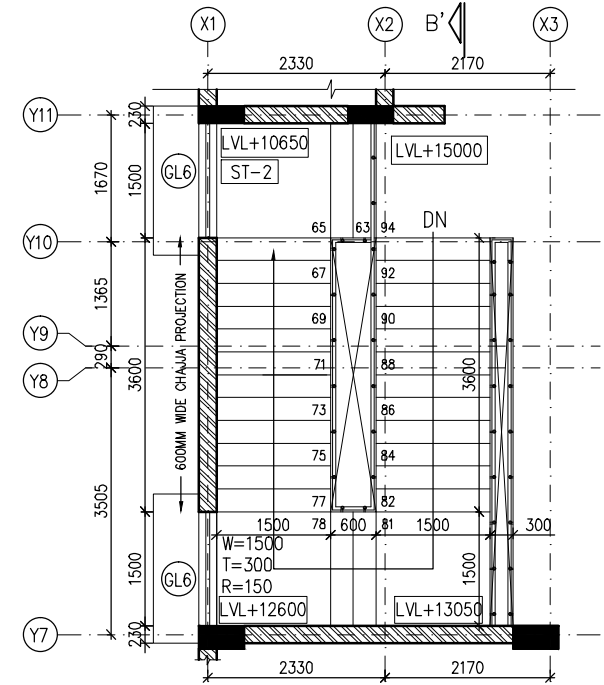
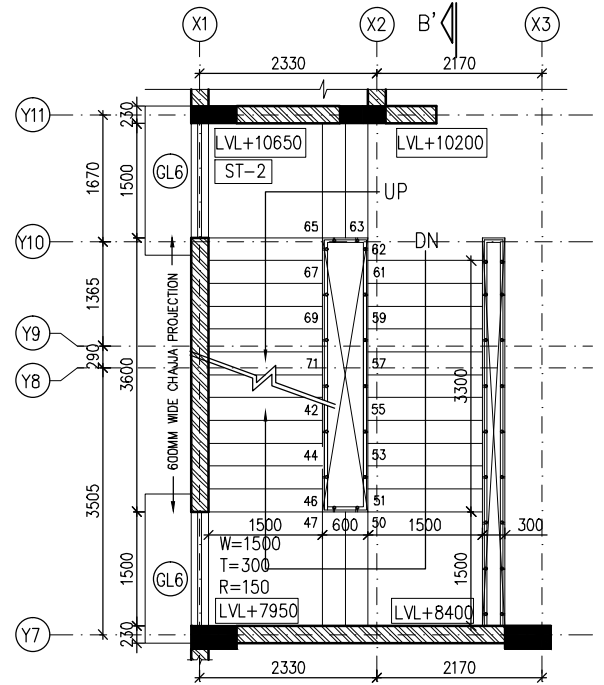
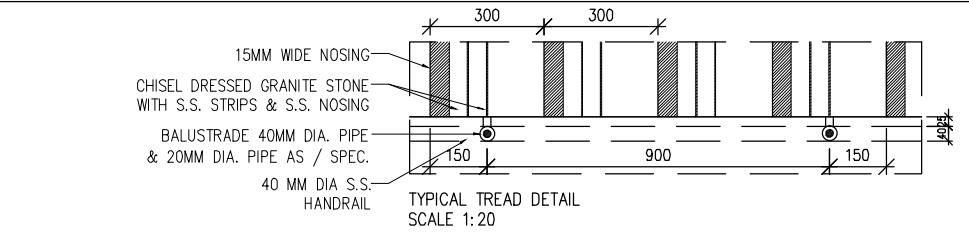
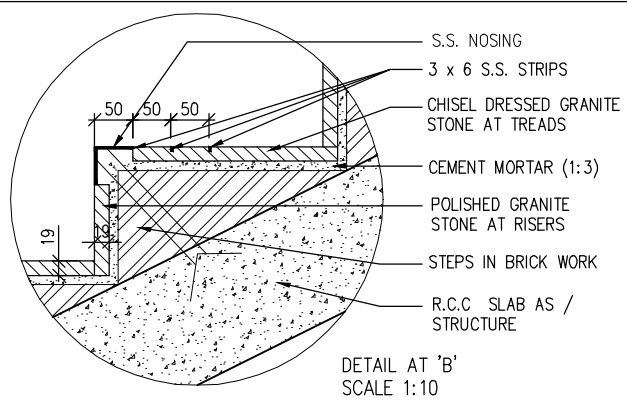
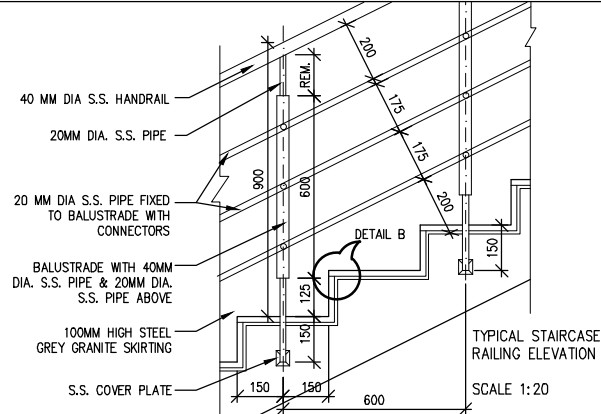
ADPL

Aadharshila Designs Pvt. Ltd.
 B - 4/124, L. G. F., Safdarjung Enclave, New Delhi - 110029.
 Tel: +91 11 26100433 - 6, Fax: +91 11 26177678,
 E-mail: adpl@adpl.in

COPYRIGHT
 This drawing is the property of Aadharshila Designs Pvt. Ltd. It shall not be copied, used in any manner and handed over to any person or party without the prior permission of Aadharshila Designs Pvt. Ltd.

DRAWING TITLE		
ST-1 STAIRCASE DETAILS		
		
DATE	SCALE	REV.
31.10.2013	1:100	
DRAWING NO.		
IITM/KD/DD/		AR-501

DETAILED ARCHITECTURAL DRAWING



- NOTES:
- All dimensions are in mm unless noted otherwise.
 - The dimensions are to be read and not scaled off the drawing.
 - Any discrepancy in the drawing shall be brought to the notice of the Architects.
 - This drawing is to be read in conjunction with other relevant drawings & specifications given in the tender document.
 - Only the latest revision of the drawings shall be considered valid for all purposes.

REVISIONS:


SL.	DATE	DESCRIPTION
-	-	-
-	-	-
-	-	-
-	-	-
-	-	-
-	-	-
-	-	-
-	-	-
-	-	-
-	-	-

KITCHEN CONSULTANTS
SRB Kitchen concepts
 D-1/ 1048, Vasant Kunj, New Delhi- 110070

MEP SERVICES CONSULTANT
AECOM
 A-197, Sector 63, Noida-201301


STRUCTURAL CONSULTANTS
Jehovahking Engineering Consultants Pvt. Ltd.
 Guindy, Chennai- 600032

PROJECT
NEW DINING FACILITY AT KRISHNA HOSTEL
IIT MADRAS, CHENNAI

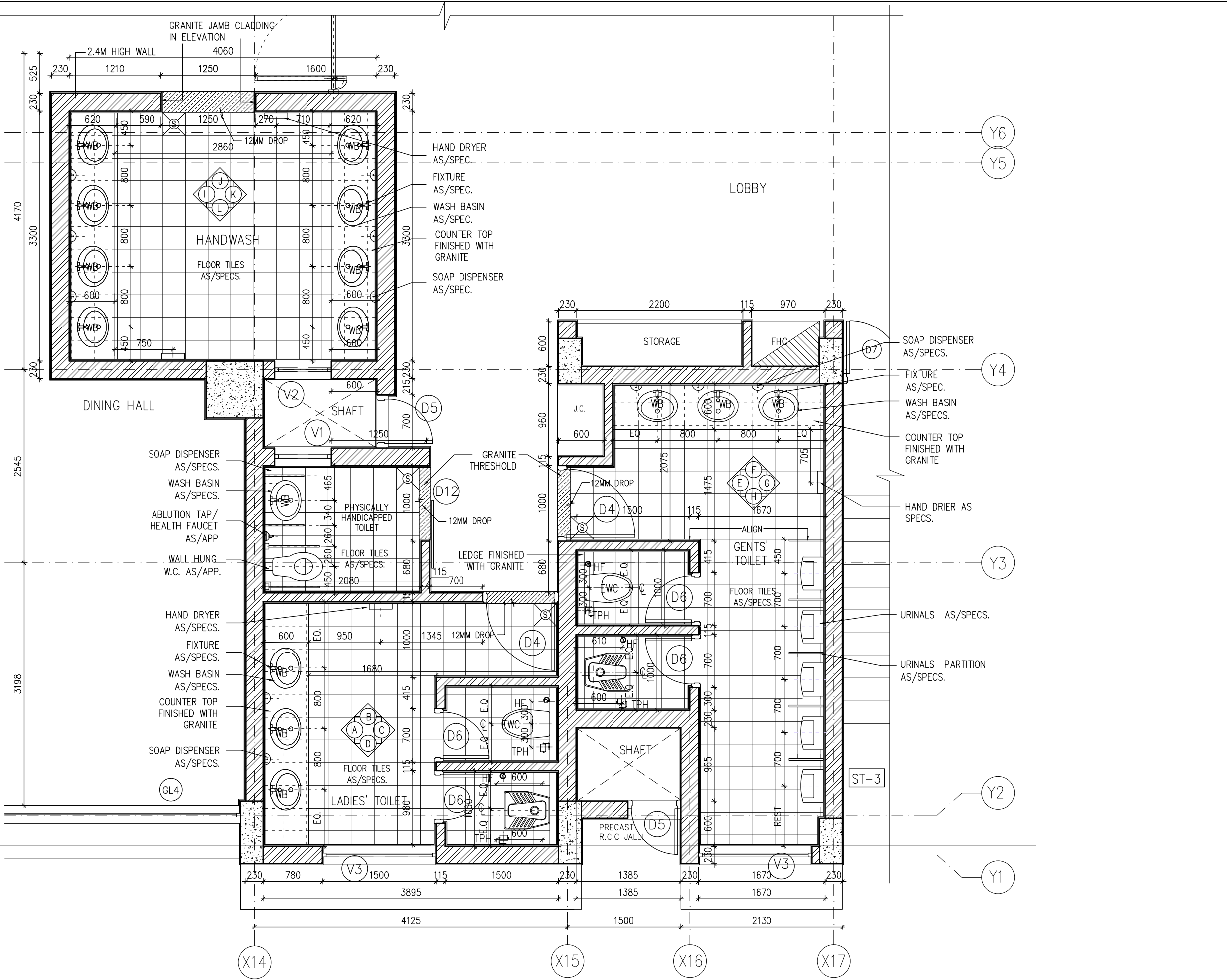
CLIENT

INDIAN INSTITUTE OF TECHNOLOGY MADRAS

ARCHITECT
AADPL
Aadharshila Designs Pvt. Ltd.
 B - 4/124, L. G. F., Safdarjung Enclave, New Delhi - 110029.
 Tel : +91 11 26100433 - 6, Fax : +91 11 26177678,
 E-mail : adpl@adpl.in

COPYRIGHT
 This drawing is the property of Aadharshila Designs Pvt. Ltd. It shall not be copied, used in any manner and handed over to any person or party without the prior permission of Aadharshila Designs Pvt. Ltd.

DRAWING TITLE		
ST-2 STAIRCASE DETAILS		
DATE	SCALE	REV.
30.10.2013	AS DISPLAYED	
DRAWING NO.		
IITM/KD/DD/	AR-502	

DETAILED ARCHITECTURAL DRAWING



- NOTES:
- All dimensions are in mm unless noted otherwise.
 - The dimensions are to be read and not scaled off the drawing.
 - Any discrepancy in the drawing shall be brought to the notice of the Architects.
 - This drawing is to be read in conjunction with other relevant drawings & specifications given in the tender document.
 - Only the latest revision of the drawings shall be considered valid for all purposes.

REVISIONS:

SL.	DATE	DESCRIPTION
-	-	-
-	-	-
-	-	-
-	-	-
-	-	-
-	-	-
-	-	-

KITCHEN CONSULTANTS
SRB Kitchen concepts
 D-1/ 1048, Vasant Kunj, New Delhi- 110070

MEP SERVICES CONSULTANT
AECOM
 A-197, Sector 63, Noida- 201301

STRUCTURAL CONSULTANTS
Jehovahking Engineering Consultants Pvt. Ltd.
 Guindy, Chennai- 600032

PROJECT
**NEW DINING FACILITY
 AT KRISHNA HOSTEL**

IIT MADRAS, CHENNAI

CLIENT



**INDIAN INSTITUTE OF TECHNOLOGY
 MADRAS**

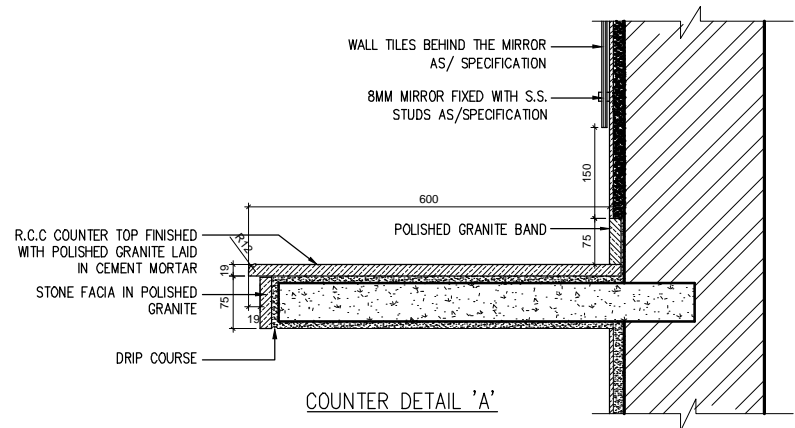
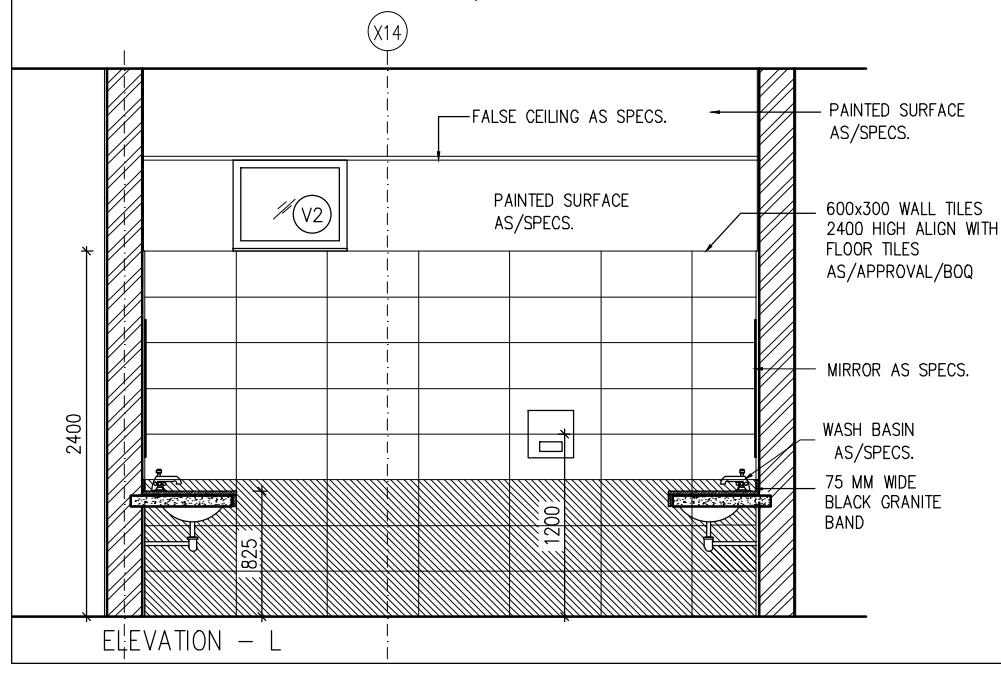
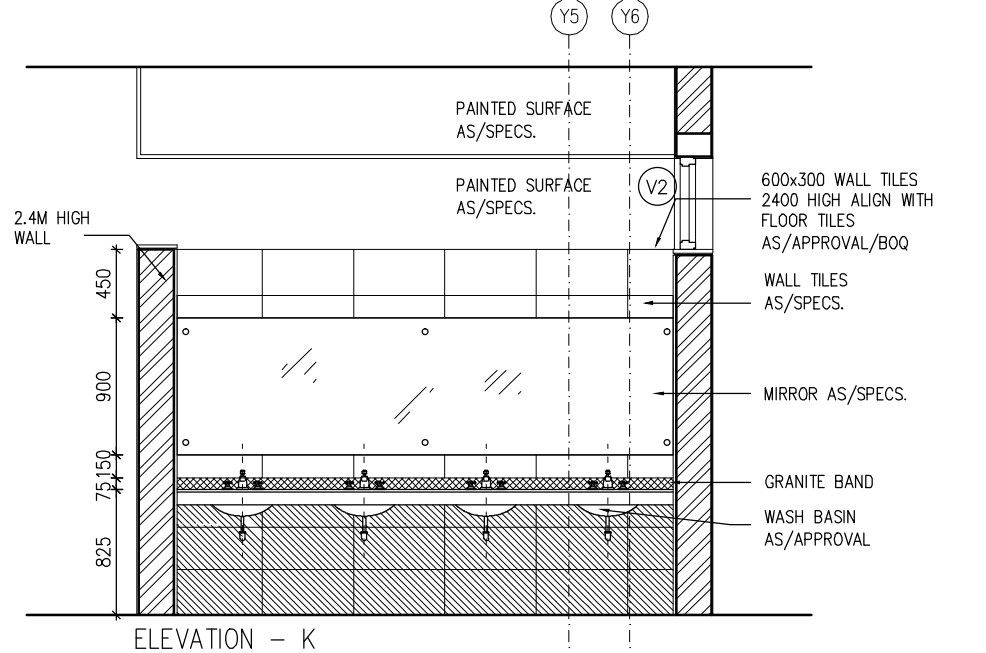
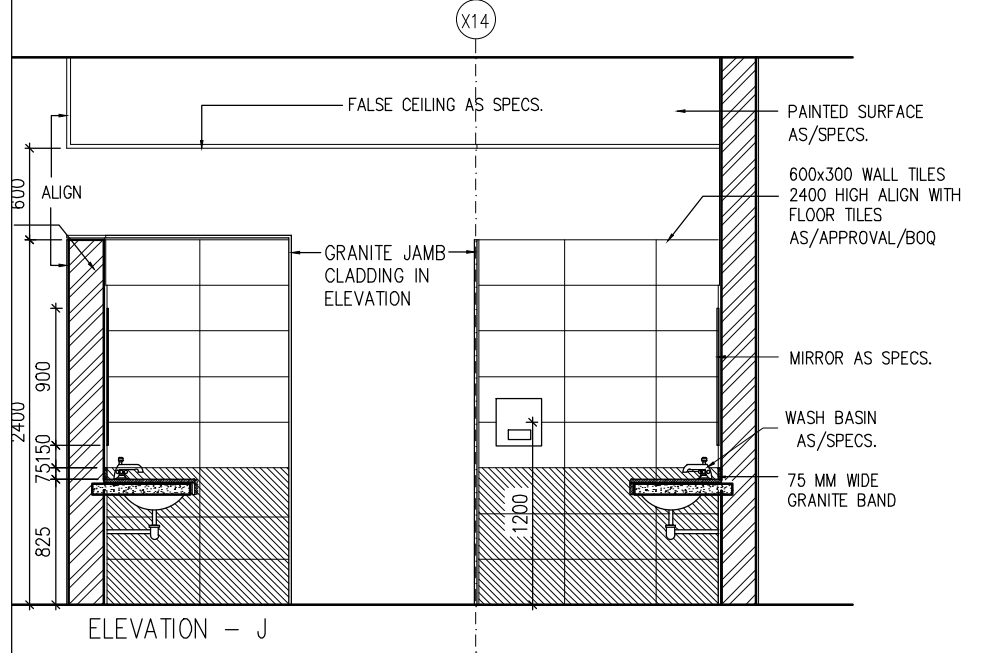
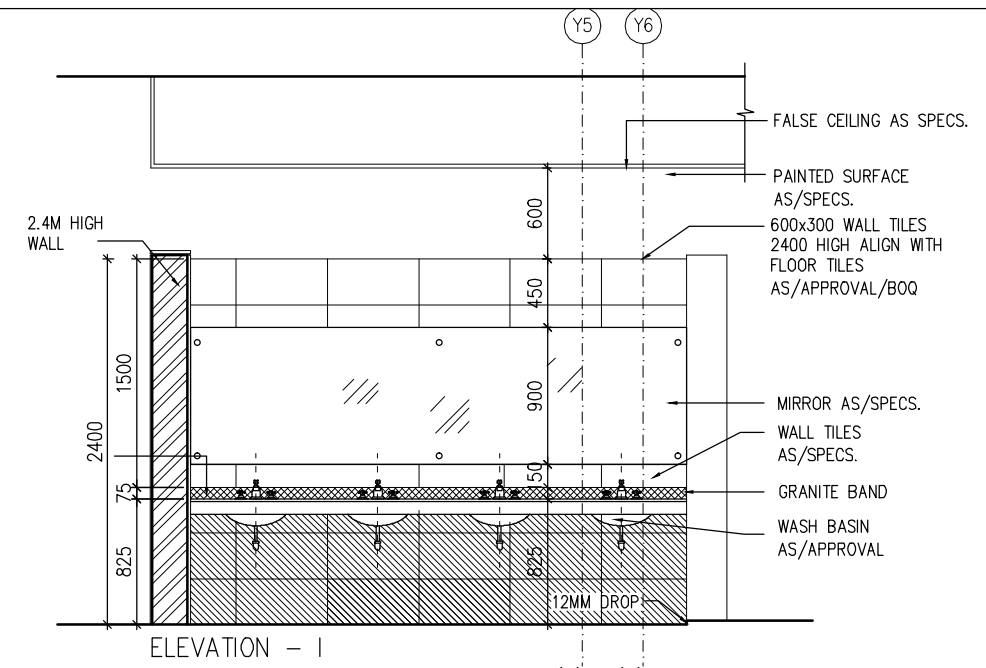
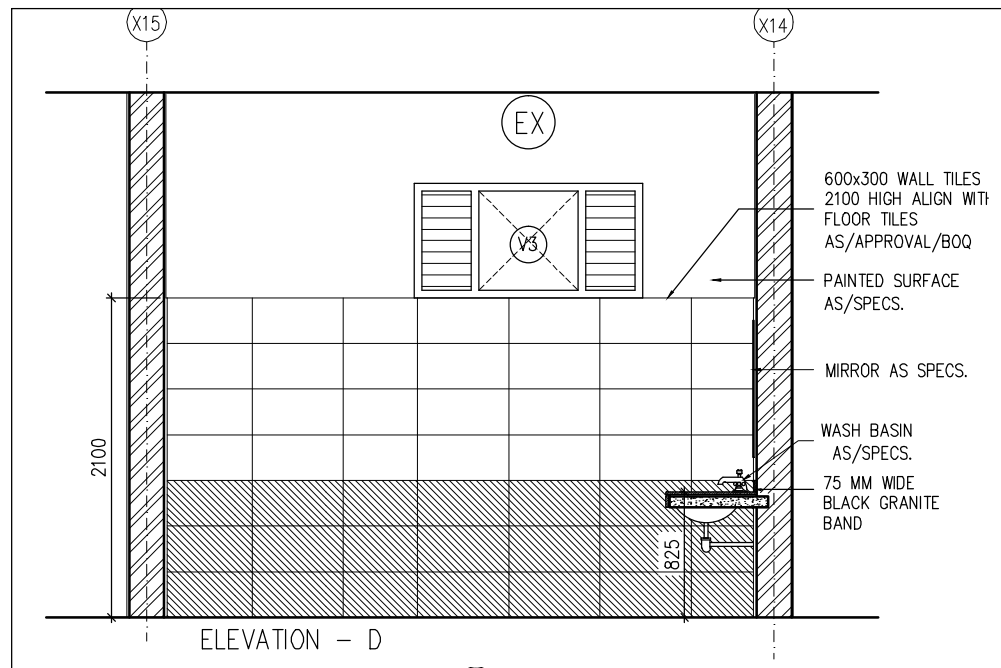
ARCHITECT
ADPL

Aadharshila Designs Pvt. Ltd.
 B - 4/124, L. G. F., Safdarjung Enclave, New Delhi - 110029.
 Tel: +91 11 26100433 - 6, Fax: +91 11 26177678,
 E-mail: adpl@adpl.in

COPYRIGHT
 This drawing is the property of Aadharshila Designs Pvt. Ltd. It shall not be copied, used in any manner and handed over to any person or party without the prior permission of Aadharshila Designs Pvt. Ltd.

DRAWING TITLE		
TOILET & HANDWASH DETAIL - PLAN		
DATE	SCALE	REV.
01.11.2013	1:50	
DRAWING NO.		
IITM/KD/DD/		AR-510

DETAILED ARCHITECTURAL DRAWING



- NOTES:
- All dimensions are in mm unless noted otherwise.
 - The dimensions are to be read and not scaled off the drawing.
 - Any discrepancy in the drawing shall be brought to the notice of the Architects.
 - This drawing is to be read in conjunction with other relevant drawings & specifications given in the tender document.
 - Only the latest revision of the drawings shall be considered valid for all purposes.

REVISIONS:


SL.	DATE	DESCRIPTION
-	-	-
-	-	-
-	-	-
-	-	-
-	-	-
-	-	-
-	-	-

KITCHEN CONSULTANTS
SRB Kitchen concepts
 D-1/ 1048, Vasant Kunj, New Delhi- 110070

MEP SERVICES CONSULTANT
AECOM
 A-197, Sector 63, Noida- 201301

STRUCTURAL CONSULTANTS
Jehovahking Engineering Consultants Pvt. Ltd.
 Guindy, Chennai- 600032

PROJECT
**NEW DINING FACILITY
 AT KRISHNA HOSTEL**
IIT MADRAS, CHENNAI

CLIENT

**INDIAN INSTITUTE OF TECHNOLOGY
 MADRAS**

ARCHITECT

Aadharshila Designs Pvt. Ltd.
 B - 4/124, L. G. F., Safdarjung Enclave, New Delhi - 110029.
 Tel: +91 11 26100433 - 6, Fax: +91 11 26177678,
 E-mail: adpl@adpl.in

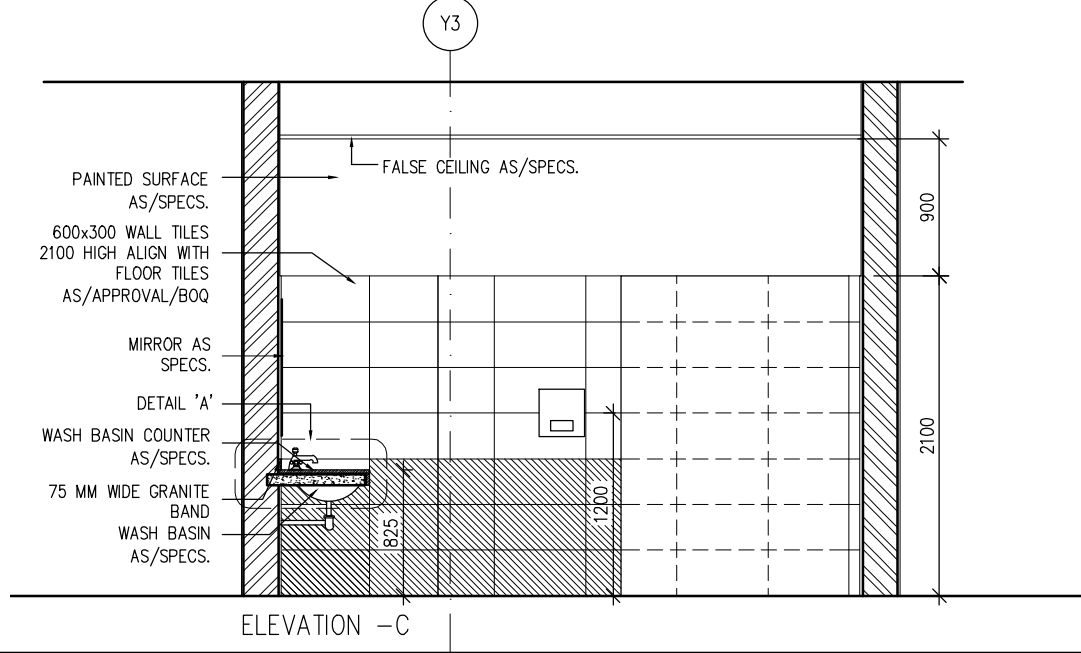
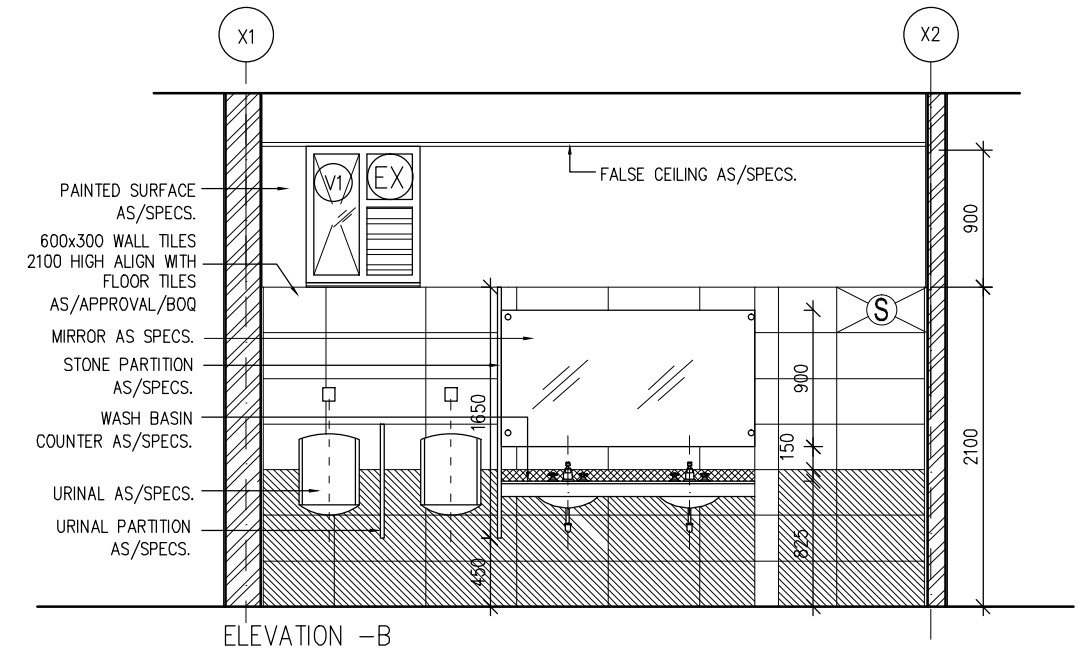
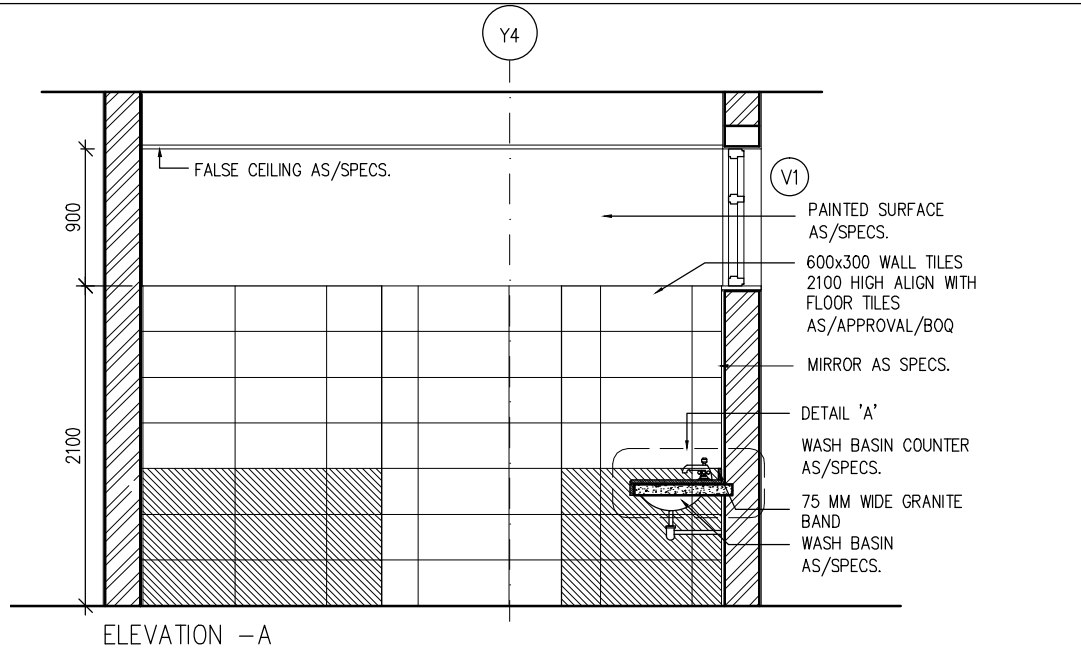
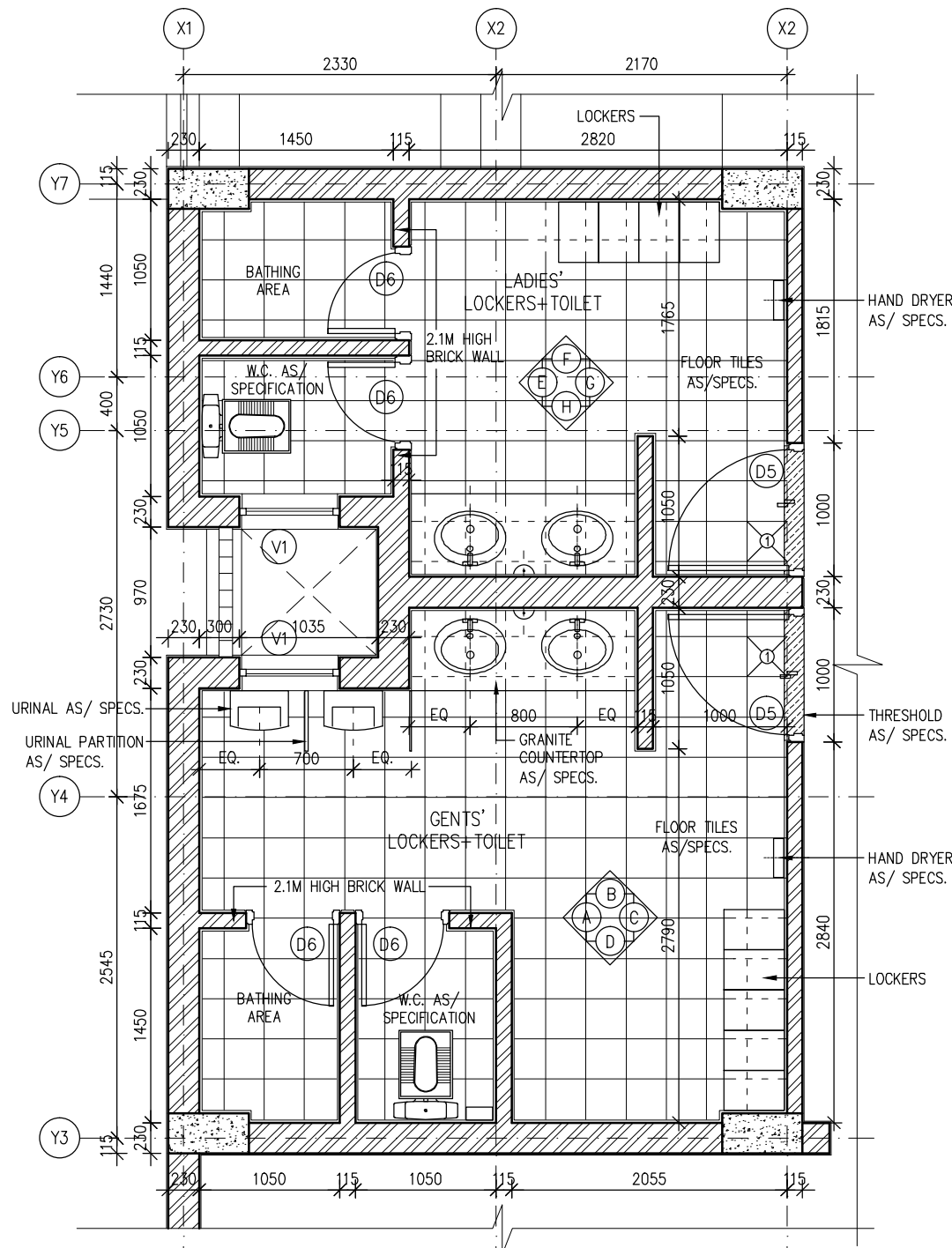
COPYRIGHT
 This drawing is the property of Aadharshila Designs Pvt. Ltd. It shall not be copied, used in any manner and handed over to any person or party without the prior permission of Aadharshila Designs Pvt. Ltd.

DRAWING TITLE
**TOILET & HANDWASH
 DETAIL - ELEVATIONS 2**

DATE 01.11.2013	SCALE 1:50	REV.
--------------------	---------------	------

DRAWING NO.
IITM/KD/DD/ AR-512

DETAILED ARCHITECTURAL DRAWING



- NOTES:**
- All dimensions are in mm unless noted otherwise.
 - The dimensions are to be read and not scaled off the drawing.
 - Any discrepancy in the drawing shall be brought to the notice of the Architects.
 - This drawing is to be read in conjunction with other relevant drawings & specifications given in the tender document.
 - Only the latest revision of the drawings shall be considered valid for all purposes.

REVISIONS:

SL.	DATE	DESCRIPTION
-	-	-
-	-	-
-	-	-
-	-	-
-	-	-
-	-	-
-	-	-

KITCHEN CONSULTANTS
SRB Kitchen concepts
 D-1/ 1048, Vasant Kunj, New Delhi- 110070

MEP SERVICES CONSULTANT
AECOM
 A-197, Sector 63, Noida- 201301

STRUCTURAL CONSULTANTS
Jehovahking Engineering Consultants Pvt. Ltd.
 Guindy, Chennai- 600032

PROJECT
NEW DINING FACILITY
AT KRISHNA HOSTEL
IIT MADRAS, CHENNAI

CLIENT

INDIAN INSTITUTE OF TECHNOLOGY
MADRAS

ARCHITECT

Aadharshila Designs Pvt. Ltd.
 B - 4/124, L. G. F., Safdarjung Enclave, New Delhi - 110029.
 Tel: +91 11 26100433 - 6, Fax: +91 11 26177678,
 E-mail: adpl@adpl.in

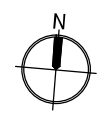
COPYRIGHT
 This drawing is the property of Aadharshila Designs Pvt. Ltd. It shall not be copied, used in any manner and handed over to any person or party without the prior permission of Aadharshila Designs Pvt. Ltd.

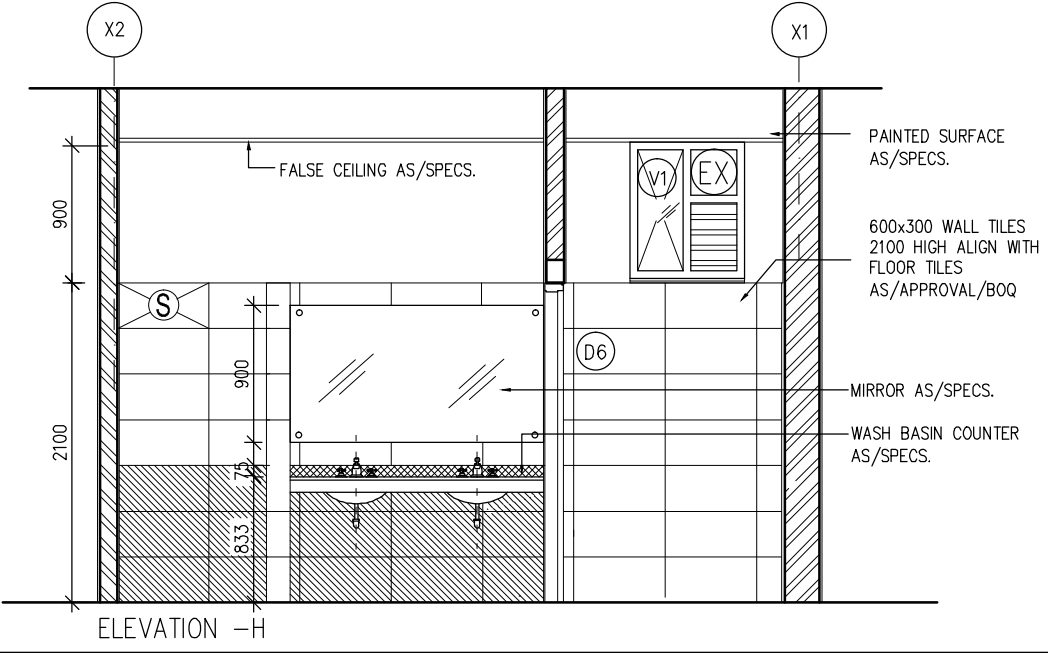
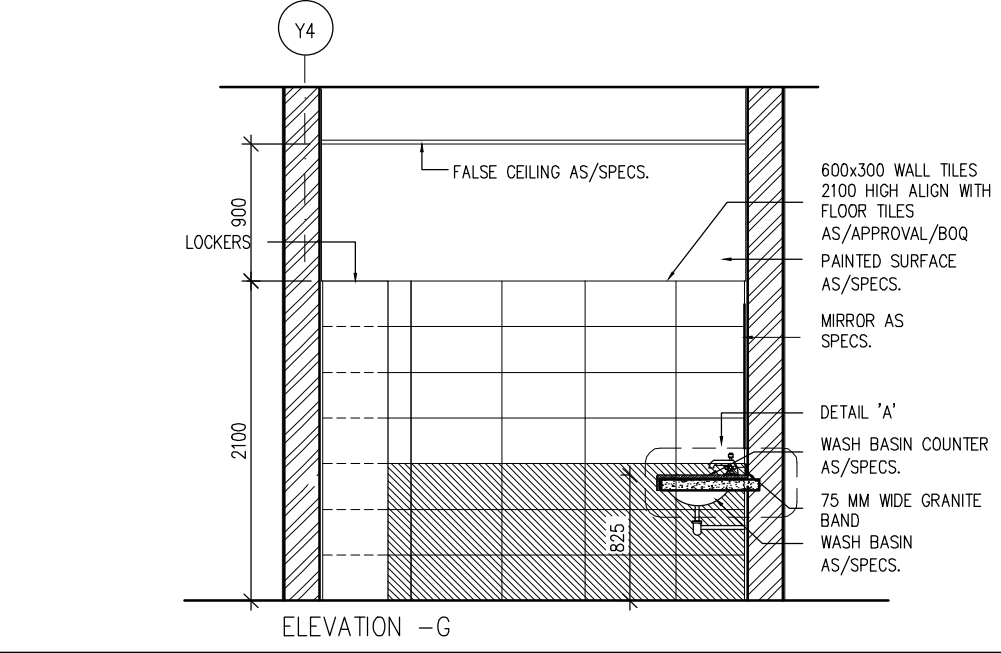
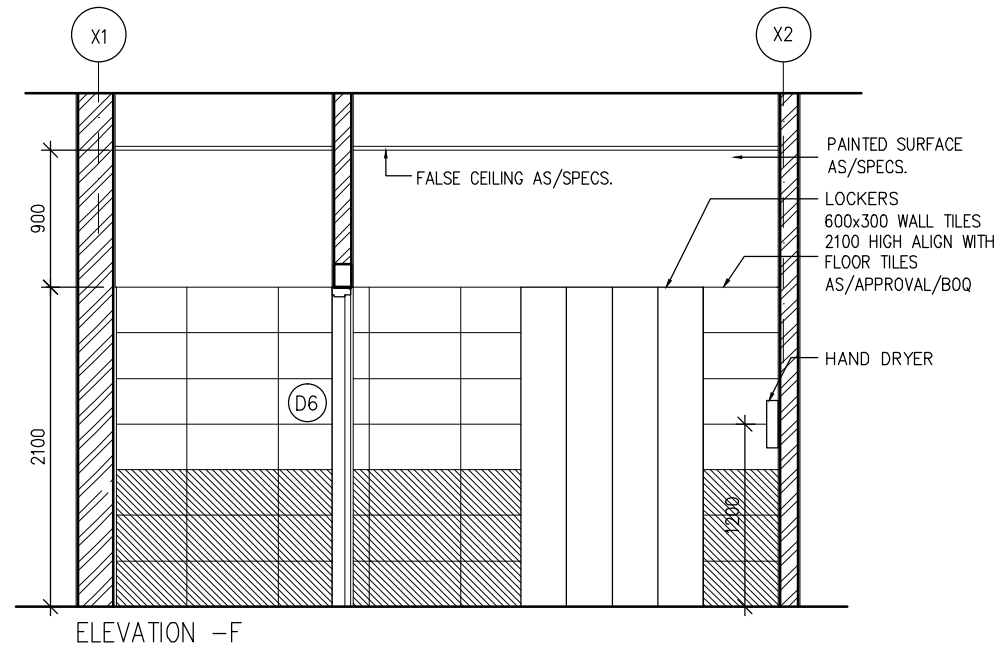
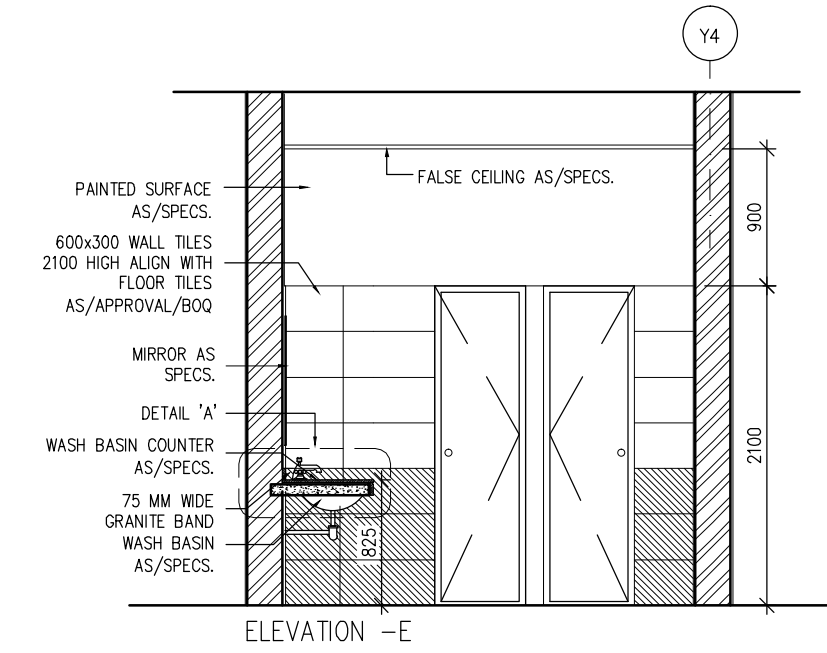
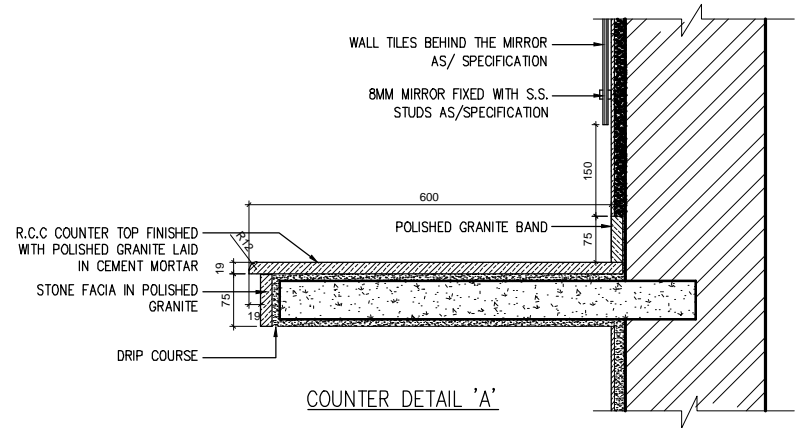
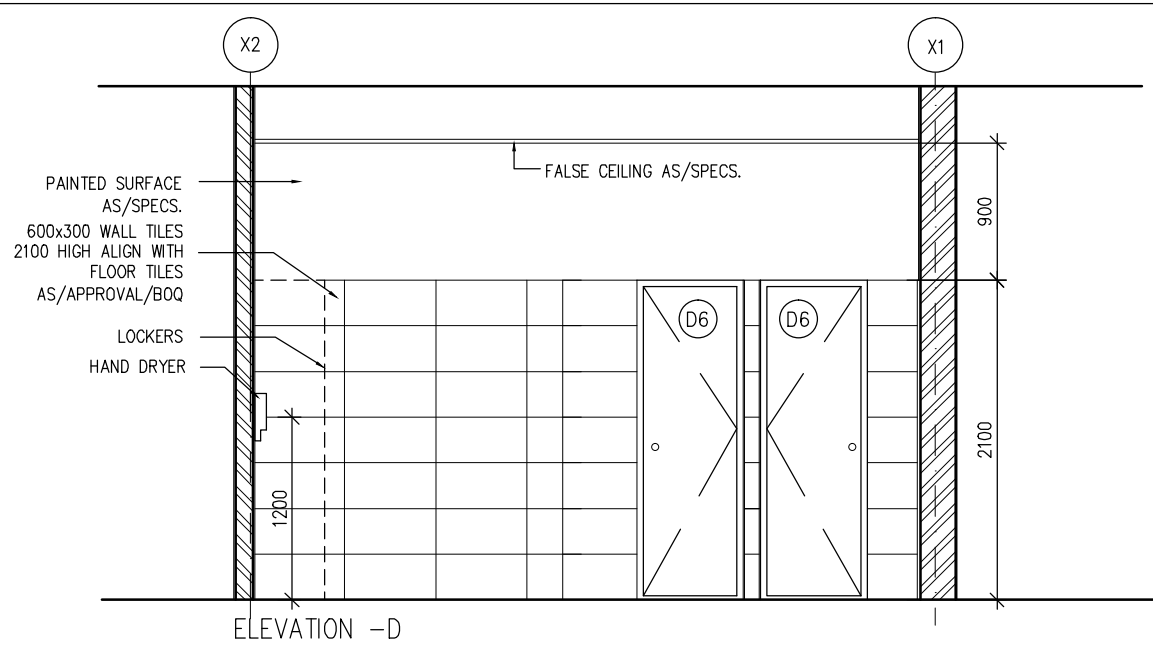
DRAWING TITLE
SERVICE TOILET
DETAIL- 1

DATE	SCALE	REV.
11.10.2013	1:50	

DRAWING NO.
IITM/KD/DD/ AR-513

DETAILED ARCHITECTURAL DRAWING





- NOTES:
- All dimensions are in mm unless noted otherwise.
 - The dimensions are to be read and not scaled off the drawing.
 - Any discrepancy in the drawing shall be brought to the notice of the Architects.
 - This drawing is to be read in conjunction with other relevant drawings & specifications given in the tender document.
 - Only the latest revision of the drawings shall be considered valid for all purposes.

REVISIONS:


SL.	DATE	DESCRIPTION
-	-	-
-	-	-
-	-	-
-	-	-
-	-	-
-	-	-
-	-	-

KITCHEN CONSULTANTS
SRB Kitchen concepts
 D-1/ 1048, Vasant Kunj, New Delhi- 110070

MEP SERVICES CONSULTANT
AECOM
 A-197, Sector 63, Noida- 201301

STRUCTURAL CONSULTANTS
Jehovahking Engineering Consultants Pvt. Ltd.
 Guindy, Chennai- 600032

PROJECT
**NEW DINING FACILITY
 AT KRISHNA HOSTEL**
IIT MADRAS, CHENNAI

CLIENT

**INDIAN INSTITUTE OF TECHNOLOGY
 MADRAS**

ARCHITECT

Aadharshila Designs Pvt. Ltd.
 B - 4/124, L. G. F., Safdarjung Enclave, New Delhi - 110029.
 Tel: +91 11 26100433 - 6, Fax: +91 11 26177678,
 E-mail: adpl@adpl.in

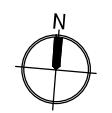
COPYRIGHT
 This drawing is the property of Aadharshila Designs Pvt. Ltd. It shall not be copied, used in any manner and handed over to any person or party without the prior permission of Aadharshila Designs Pvt. Ltd.

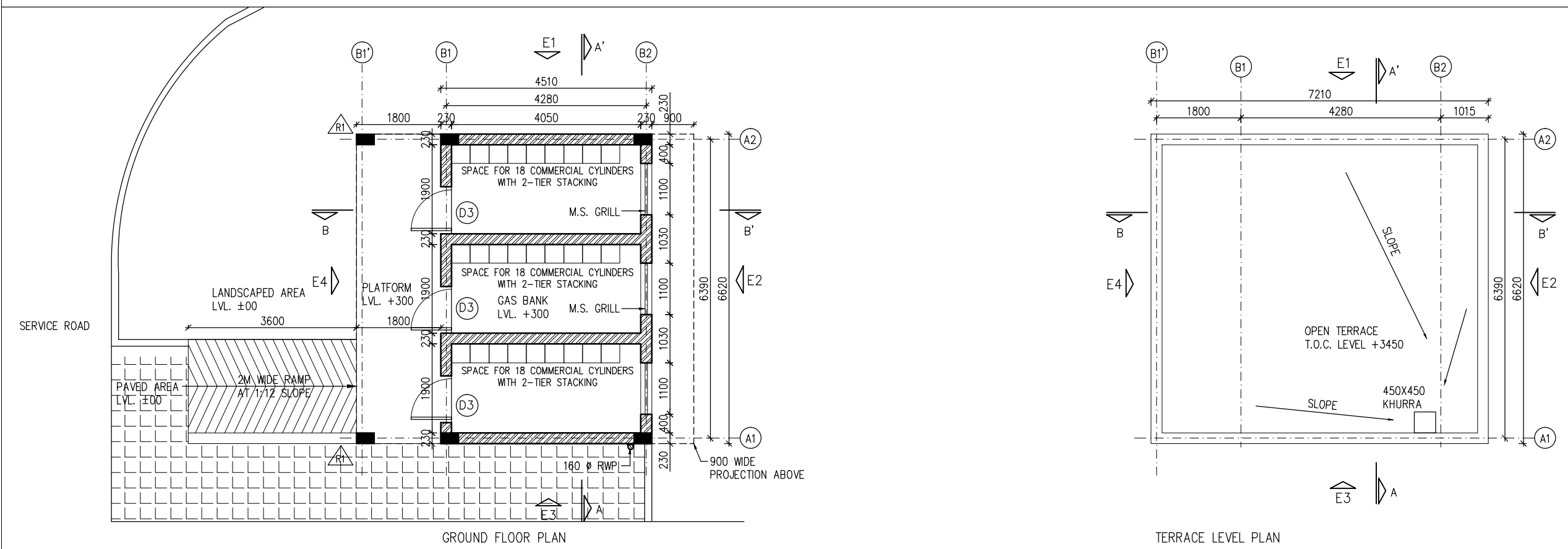
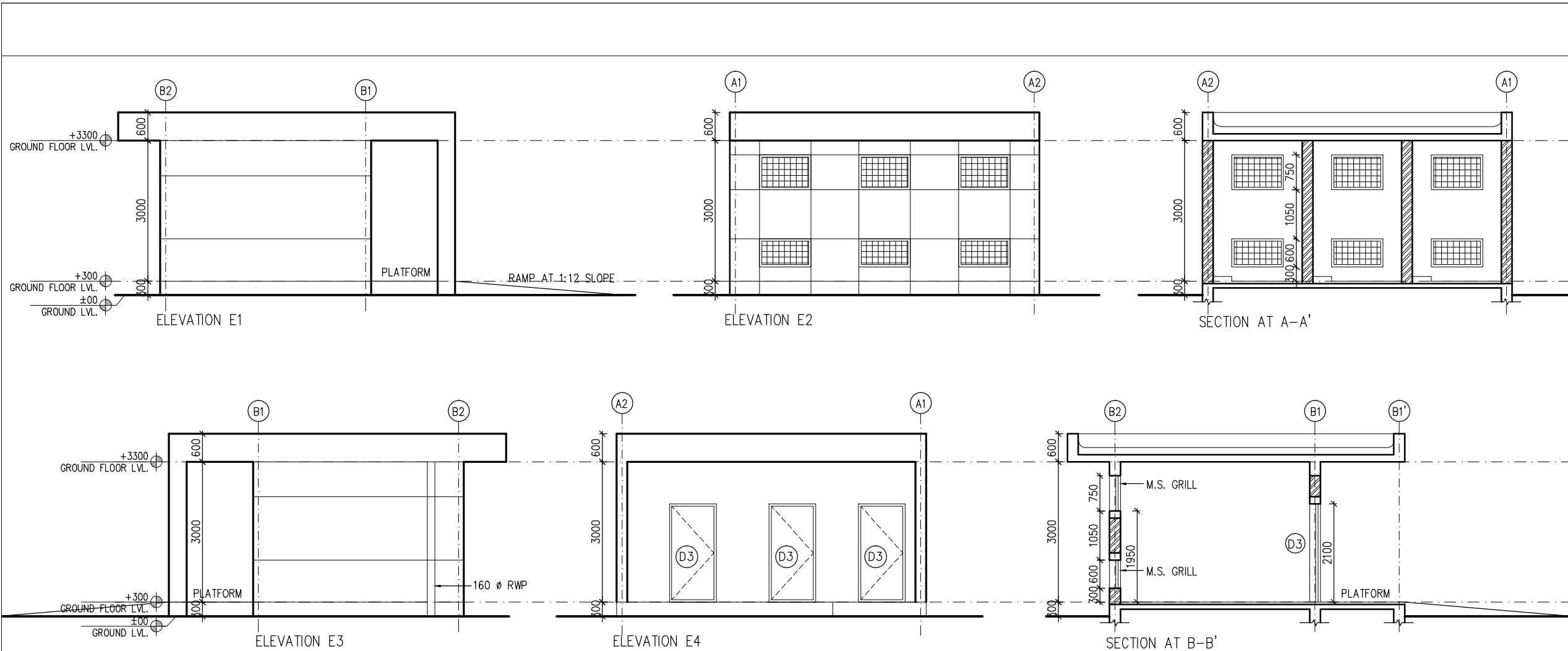
DRAWING TITLE
**SERVICE TOILET
 DETAIL- 2**

DATE 11.10.2013	SCALE 1:50	REV.
--------------------	---------------	------

DRAWING NO.
IITM/KD/DD/ AR-514

DETAILED ARCHITECTURAL DRAWING





- NOTES:
- All dimensions are in mm unless noted otherwise.
 - The dimensions are to be read and not scaled off the drawing.
 - Any discrepancy in the drawing shall be brought to the notice of the Architects.
 - This drawing is to be read in conjunction with other relevant drawings & specifications given in the tender document.
 - Only the latest revision of the drawings shall be considered valid for all purposes.

REVISIONS:

SL.	DATE	DESCRIPTION
01	18.10.2013	NEW COLUMNS ADDED
-	-	-
-	-	-
-	-	-
-	-	-
-	-	-
-	-	-

KITCHEN CONSULTANTS
 SRB Kitchen concepts
 D-1/ 1048, Vasant Kunj, New Delhi- 110070

MEP SERVICES CONSULTANT
 AECOM
 A-197, Sector 63, Noida- 201301

STRUCTURAL CONSULTANTS
 Jehovahking Engineering Consultants Pvt. Ltd.
 Guindy, Chennai- 600032

PROJECT
**NEW DINING FACILITY
 AT KRISHNA HOSTEL**
 IIT MADRAS, CHENNAI

CLIENT

**INDIAN INSTITUTE OF TECHNOLOGY
 MADRAS**

ARCHITECT

Aadharshila Designs Pvt. Ltd.
 B - 4/124, L. G. F., Safdarjung Enclave, New Delhi - 110029.
 Tel : +91 11 26100433 - 6, Fax : +91 11 26177678,
 E-mail : adpl@adpl.in

COPYRIGHT
 This drawing is the property of Aadharshila Designs Pvt. Ltd. It shall not be copied, used in any manner and handed over to any person or party without the prior permission of Aadharshila Designs Pvt. Ltd.

DRAWING TITLE
GAS BANK DETAILS

DATE 18.10.2013	SCALE 1:100	REV. R1
DRAWING NO. IITM/KD/DD/ AR-520		

DETAILED ARCHITECTURAL DRAWING

