



INDIAN INSTITUTE OF TECHNOLOGY MADRAS
Chennai 600 036



Telephone: [044] 2257 9763
E-mail: tender@imail.iitm.ac.in

The Manager (Project Purchase)

Date: 27.04.2023

Open Tender Reference No: AM/SIVA/104/2023/AEROSHELLOUT

GEM NAR ID: GEM/GARPTS/21042023/V5EQ3E7UYEX5

Due Date/Time: 17.05.2023 @ 3:00 PM

Dear Sir/Madam,

On behalf of the Indian Institute of Technology Madras, Tenders are invited in two bid system from Class-I local suppliers and Class II local suppliers, for the supply of: “**Aeroshell Manufacturing**” Conforming to the specifications given in **Annexure -A**.

Tender Documents may be downloaded from Central Public Procurement Portal <https://etenders.gov.in/eprocure/app>. Aspiring Bidders who have not enrolled / registered in e-procurement should enroll / register before participating through the website <https://etenders.gov.in/eprocure/app>. The portal enrolment is free of cost. Bidders are advised to go through instructions provided at “**Help for contractors**”. [Special Instructions to the Contractors/Bidders for the e-submission of the bids online through this eProcurement Portal”]

Bidders can access tender documents on the website (For searching in the NIC site, kindly go to Tender Search option and type ‘IIT’. Thereafter, click on “GO” button to view all IIT Madras tenders). Select the appropriate tender and fill them with all relevant information and submit the completed tender document online on the website <https://etenders.gov.in/eprocure/app> as per the schedule attached.

1)	Pre-bid Meeting Details	:	NA
2)	ICSR Vendor Registration	:	<p><u>Vendor registration code.</u> Vendor registration with IC&SR (IITM) is mandatory for bidders to participate in tenders.</p> <p>** <u>For Vendor Registration & Guidelines, Please follow the website :</u> https://icandsr.iitm.ac.in/vendorportal; Helpdesk: vendorhelpdesk@icsrpis.iitm.ac.in</p>

No manual bids will be accepted. All tender documents including Technical and Financial bids should be submitted in the E-procurement portal.

Last date for receipt of tender	:	17.05.2023 @ 3:00 PM
Date & time of opening of tender	:	18.05.2023 @ 3:00 PM

3. Instructions to the Bidder:

<p><u>A)</u></p>	<p>Searching for tender documents</p>	<p>:</p>	<ul style="list-style-type: none"> • There are various search options built in the CPP Portal, to facilitate bidders to search active tenders by several parameters. These parameters could include Tender ID, organization name, location, date, value, etc. There is also an option of advanced search for tenders, wherein the bidders may combine a number of search parameters such as organization name, form of contract, location, date, other keywords etc. to search for a tender published on the CPP Portal. • Once the bidders have selected the tenders they are interested in, they may download the required documents / tender schedules. These tenders can be moved to the respective “My Tender” folder. This would enable the CPP Portal to intimate the bidders through SMS / email in case there is any corrigendum issued to the tender document. • The bidder should make a note of the unique Tender ID assigned to each tender, in case they want to obtain any clarification / help from the Helpdesk.
<p><u>B)</u></p>	<p>Assistance to bidders</p>	<p>:</p>	<ul style="list-style-type: none"> • Any queries relating to the tender document and the terms and conditions contained therein should be addressed to the Tender Inviting Authority for a tender or the relevant contact person indicated in the tender. • Any queries relating to the process of online bid submission or queries relating to CPP Portal in general may be directed to the 24x7 CPP Portal Helpdesk. The contact number for the helpdesk is [0120-4200462, 0120-4001002, 0120-4001005]
<p><u>C)</u></p>	<p>Enrollment Process to Bidders</p>	<p>:</p>	<p><u>REGISTRATION</u></p> <ul style="list-style-type: none"> • Bidders are required to enroll on the e-Procurement module of the Central Public Procurement Portal URL:https://etenders.gov.in/eprocure/app by clicking on “Online Bidder Enrollment”. Enrollment on the CPP Portal is free of charge. • As part of the enrolment process, the bidders will be required to choose a unique username and assign a password for their accounts. • Bidders are advised to register their valid email address and mobile numbers as part of the registration process. These would be used for any communication from the CPP Portal. • Upon enrolment, the bidders will be required to register their valid Digital Signature Certificate (Class II or Class III Certificates with signing key usage) issued by any Certifying Authority recognized by CCA India (e.g. Sify / TCS / nCode / eMudhra etc.) • Only one valid DSC should be registered by a bidder. Please note that the bidders are responsible to ensure that they do not lend their DSCs to others which may lead to misuse. • Bidder then may log in to the site through the secured log-in by entering their user ID / password and the password of the DSC / eToken. • Possession of a Valid Class II/III Digital Signature Certificate

			<p>(DSC) in the form of smart card/e-token in the company's name is a prerequisite for registration and participating in the bid submission activities through https://etenders.gov.in/eprocure/app</p> <ul style="list-style-type: none"> Digital Signature Certificates can be obtained from the authorized certifying agencies, details of which are available in the web site https://etenders.gov.in/eprocure/app under the “Information about DSC”.
<u>D)</u>	Preparation of bids	:	<ul style="list-style-type: none"> Bidder should take into account any corrigendum published on the tender document before submitting their bids. Please go through the tender advertisement and the tender document carefully to understand the documents required to be submitted as part of the bid. Please note the number of covers in which the bid documents have to be submitted, the number of documents including the names and content of each of the document that need to be submitted. Any deviations from these may lead to rejection of the bid. Bidder, in advance, should prepare the bid documents to be submitted as indicated in the tender document / schedule and generally shall be in PDF / XLS formats as the case may be. Bid documents may be scanned with 100 dpi with black and white option. To avoid the time and effort required in uploading the same set of standard documents which are required to be submitted as a part of every bid, a provision of uploading such standard documents (e.g. PAN card copy, GSTIN Details, annual reports, auditor certificates etc.) has been provided to the bidders. Bidders can use “My Documents” area available to them to upload such documents. These documents may be directly submitted from the “My Documents” area while submitting a bid, and need not be uploaded again and again. This will lead to a reduction in the time required for bid submission process.
<u>E)</u>	Submission of bids	:	<ul style="list-style-type: none"> Bidder should log into the site well in advance for bid submission so that he/she can upload the bid in time i.e. on or before the bid submission date and time. Bidder will be responsible for any delay due to other issues. The bidder has to digitally sign and upload the required bid documents one by one as indicated in the tender document. Bidder has to select the bid security declaration. Otherwise, the tender will be summarily rejected. A standard BOQ format has been provided with the tender document to be filled by all the bidders. Bidders are requested to note that they should necessarily submit their financial bids in the format provided and no other format is acceptable. Bidders are required to download the BOQ file, open it and complete the detail with their respective financial quotes and other details (such as name of the bidder). If the BOQ file is found to be modified by the bidder, the bid will be rejected. The server time (which is displayed on the bidders’ dashboard) will be considered as the standard time for referencing the deadlines for submission of the bids by the bidders, opening of bids etc. The

		<p>bidders should follow this time during bid submission.</p> <ul style="list-style-type: none"> • The Tender Inviting Authority (TIA) will not be held responsible for any sort of delay or the difficulties faced during the submission of bids online by the bidders due to local issues. • The uploaded tender documents become readable only after the tender opening by the authorized bid openers. • Upon the successful and timely submission of bids, the portal will give a successful bid submission message & a bid summary will be displayed with the bid no. and the date & time of submission of the bid with all other relevant details. • Kindly add scanned PDF of all relevant documents in a single PDF file of compliance sheet. • More information useful for submitting online bids on the CPP Portal may be obtained at: https://etenders.gov.in/e procure/app. • All tender documents including pre-qualification bid, Technical Bid & Financial Bid should be submitted separately in online CPP portal as per the specified format only. Right is reserved to ignore any tender which fails to comply with the above instructions. No manual bid submission will be entertained.
<u>F)</u>	Marking on Technical Bid	<ul style="list-style-type: none"> • The bidder eligibility criteria, technical specification and supply of item for this tender is given in Annexure A. • The Bidders shall go through the specification and submit the technical bid. • The Technical bid should be submitted in the proforma as per Annexure-B in pdf format only through online (e-tender). No manual submission of bid will be entertained. • The technical bid should have a page-wise heading as “Technical Bid” and page no. in all pages with seal and signature of authorized signatory. The total no. of pages should be mentioned at the last page of the documents. • The technical bid should consist of bidder eligibility criteria details and all technical details along with catalogue/ pamphlet which will give a detailed description of product with technical data sheet so that technical compliance can be verified.
<u>G)</u>	Marking on Price Bid	<ul style="list-style-type: none"> • Financial bid (BoQ) should be submitted in the prescribed proforma format as per Annexure-C in xls format through e-tender only. No manual or other form of submission of Financial Bid will not be entertained

4)	<p>Preparation of Tender: The bidders should submit the bids in two bid system as detailed below.</p> <p>Bid I _Technical Bid</p> <p>The technical bid should consist of bidder eligibility criteria and technical specification compliance sheet as per Annexure-B.</p> <p>Bid II _Price Bid</p> <p>The price bid should be submitted in excel format (BoQ) as per the proforma (Annexure C) uploaded in the e-Tender web site. The Quoted price should be for supply and installation of the item and inclusive of all cost and statutory levies at IIT Madras.</p>
5)	<p>Price:</p> <ol style="list-style-type: none"> a) The price should be quoted only in INR net per unit (after breakup) and must include all packing, transit insurance and delivery charges to the Department of Applied Mechanics. b) The rate quoted shall be all inclusive of all taxes and no extra payment will be made other than statutory revisions as per the terms and conditions stipulated in this contract document. c) The percentage of tax & duties should be clearly indicated separately. IIT Madras is eligible for custom duty (5.5%). Relevant certificates will be issued wherever necessary. d) The offer/bids should be submitted through online only in two bid system i.e. Technical Bid and Financial Bid separately.
6)	<p>Tenderer shall submit along with this tender:</p> <ol style="list-style-type: none"> (i) Proof of having ISO or other equivalent certification given by appropriate authorities. (ii) Name and full address of the Banker and their swift code and PAN No. and GSTIN number. (iii) GST registration proof showing registration number, area of registration etc. (iv) All of your future correspondences including Invoices should bear the GST No. and Area Code.
7)	<p>Terms of Delivery:</p> <p>Supplier will be fully responsible for the safe carriage, Installation/Commissioning of goods up to the Department of Applied Mechanics, IIT Madras or named place as per PO, Insurance coverage will be in the scope of the supplier.</p> <p>The tenderer should indicate clearly the time required for delivery of the item (subject to the approval of the Executive Committee-IIT-Madras). In case there is any deviation in the delivery schedule, liquidated damages clause will be enforced or penalty for the delayed supply period will be levied.</p> <p>In the event of delay or non-supply of materials/execution of Contract beyond the date of delivery/completion of job. The penalty will be levied @1% per week of delay subject to a max of 10% of the value of purchase order and if the delay is more than accepted time frame by IIT M, the PO would be partially or fully cancelled and liquidated damages will be enforced accordingly.</p>
8)	<p>Period for which the offer will remain open:</p> <p>The Tender shall remain open for acceptance/validity till: 120 days from the date of opening of the tender. However, the day up to which the offer is to remain open being declared closed holiday for the Indian Institute of Technology Madras, the offer shall remain open for acceptance till the next working day.</p>
9)	<p>EMD: NA</p>

10)	<p>Performance Security: -</p> <p>The successful bidder should submit Performance Security for an amount of 3% of the value of the contract/supply. The Performance Security may be furnished in the form of an Account Payee DD, FD Receipt in the name of “The Registrar, IIT Madras” from any scheduled commercial bank or Bank Guarantee from any scheduled commercial bank in India. The performance security should be furnished within 14 days from the date of the purchase order.</p> <p>Performance Security in the form of Bank Guarantee: - In case the successful bidder wishes to submit Performance Security in the form of Bank Guarantee, the Bank Guarantee should be routed directly to IIT Madras from the Bank.</p> <p>The Bank Guarantee should remain valid for a period of sixty days beyond the date of completion of all contractual obligations of the supplier including the warranty obligations.</p>
11)	For the same tender, either the OEM or the authorized dealer/service provider can only quote. But both of them cannot quote separately for the same tender.
12)	The offers/bids should be sent only for a item/Equipments of latest version that is available in the market and supplied to a number of customers. A list of customers in India with details must accompany the quotations. Quotations for a prototype machine will not be accepted
13)	Original catalogue (not any photocopy) of the quoted model duly signed by the principals must accompany the quotation in the Technical bid.
14)	Compliance or Confirmation report with reference to the specifications and other terms & conditions should also be obtained from the principal/OEM.
15)	<p>Risk Purchase Clause</p> <p>In the event of failure of supply of the item/equipment within the stipulated delivery schedule, the purchaser has all the right to purchase the item/equipment from other sources on the total risk of the supplier under risk purchase clause.</p>
16)	<p>Payment:</p> <p>(i) No Advance payment will be made. However, 90% Payment against Delivery and 10% after installation are agreed to wherever the installation is involved.</p> <p>(ii) Advance Payment: No advance payment is generally admissible. In case a specific percentage of advance payment is required, the Vendor has to submit a Bank Guarantee from a scheduled commercial bank in India equivalent to the amount of advance payment.</p>
17)	<p>On-site Installation:</p> <p>The equipment/item or Machinery has to be installed or commissioned by the successful bidder within the number of days (as prescribed by PI) from the date of receipt of the item at the site of IIT Madras.</p>
18)	<p>Warranty/Guarantee:</p> <p>The offer should clearly specify the warranty or guarantee period for the machinery/equipment. Any extended warranty offered for the same has to be mentioned separately (For more details please refer our Technical Specifications).</p> <p>** Note: PO which involves installation, warranty/guarantee shall be applicable from date of installation.</p>
19)	<p>Acceptance and Rejection:</p> <p>Failure to comply with any of the instructions stated in this document or offering unsatisfactory explanations for non-compliance will likely to lead to rejection of offers.</p> <p>I.I.T. Madras has the right to accept the whole or any part of the Tender or portion of the quantity offered or reject it in full without assigning any reason.</p>

20)	<p>Debarment from Bidding:</p> <p>In case of breach of Terms & Conditions, Bidder may be suspended from being eligible for bidding in any contract with the IIT Madras up to 2 Years [as per Rule 151(iii) of GFR] from the date of Tender.</p>
21)	<p>Disputes and Jurisdiction:</p> <p>Settlement of Disputes: Any dispute, controversy or claim arising out of or in connection with this PO including any question regarding its existence, validity, breach or termination, shall in the first instance be attempted to be resolved amicably by both the Parties. If attempts for such amicable resolution fails or no decision is reached within 30 days whichever is earlier, then such disputes shall be settled by arbitration in accordance with the Arbitration and Conciliation Act, 1996. Unless the Parties agree on a sole arbitrator, within 30 days from the receipt of a written request by one Party from the other Party to so agree, the arbitral panel shall comprise of three arbitrators. In that event, the supplier will nominate one arbitrator and the Project Coordinator of IITM shall nominate an arbitrator. The Dean IC&SR will nominate the Presiding Arbitrator of the arbitral tribunal. The arbitration proceeding shall be carried out in English language. The cost of arbitration and fees of the arbitrator(s) shall be shared equally by the Parties. The seat of arbitration shall be at IC&SR IIT Madras, Chennai.</p> <p>a. The Applicable Law: The Purchase Order shall be construed, interpreted and governed by the Laws of India. Court at Chennai shall have exclusive jurisdiction subject to the arbitration clause.</p> <p>b. Any legal disputes arising out of any breach of contract pertaining to this tender shall be settled in the court of competent jurisdiction located within the city of Chennai in Tamil Nadu.</p>
22)	<p>Force Majeure: The Supplier shall not be liable for forfeiture of its performance security, liquidated damages or termination for default, if and to the extent that, its delay in performance or other failure to perform its obligations under the Contract is the result of an event of Force Majeure.</p> <p>For purposes of this Clause, “Force Majeure” means an event beyond the control of the Supplier and not involving the Supplier’s fault or negligence and not foreseeable. Such events may include, but are not limited to, acts of the Purchaser either in its sovereign or contractual capacity, wars or revolutions, fires, floods, epidemics, quarantine restrictions and freight embargoes.</p> <p>If a Force Majeure situation arises, the Supplier shall promptly notify the Purchaser in writing of such conditions and the cause thereof. Unless otherwise directed by the Purchaser in writing, the Supplier shall continue to perform its obligations under the Contract as far as is reasonably practical, and shall seek all reasonable alternative means for performance not prevented by the Force Majeure event.</p>
23)	<p>Eligibility Criteria:</p> <ul style="list-style-type: none"> ➤ As per the Government of India Order, only “Class - I Local Suppliers” and “Class - II Local Suppliers” can participate in this tender. ➤ <u>Bidder should confirm their acceptance that they comply with the provisions with report to “Guidelines for eligibility of a bidder from a country which shares a land border with India as detailed at Annexure-E. The bidder should submit Certificate for “Bidder from/ Not from Country sharing Land border with India & Registration of Bidder with Competent Authority” as per Order of DoE F.No.6/18/2019-PPD dated 23.07.2020 as mentioned.</u>
24)	<p>Preference to “class I Local Suppliers”: preference will be given to “class 1 local suppliers” (subject to class -I local supplier’s quoted price falling within the margin of purchase preference) as per public procurement (preference to make in India) order 2017 .O.M No P- 45021/2/2017 – pp(BE - 11) dt 04/06/2020 subject to the conditions that the “class 1 Local Supplier” should agree to supply goods / provide service at L1 rate and furnish a certificate with the technical bid document that the goods/service provided by them consists local content equal to or more than 50%.(certificate from</p>

	<p>Chartered Accountant in case value of contract exceeds Rs 10 crore).</p> <ul style="list-style-type: none"> ➤ ‘Class - I local supplier’ means a supplier or service provider whose goods, services or works offered for procurement consists of local content equal to or more than 50% as defined under the above said order. Declaration to be provided as per Annexure-D per item/service/work. ➤ ‘Class - II local supplier’ means a supplier or service provider whose goods, services or works offered for procurement consists of local content equal to 20% but less than 50% as defined under the above said order. Declaration to be provided as per Annexure-D per item/service/work. ➤ ‘Margin of purchase preference’: - The margin of purchase preference shall be 20%. The Definition of the margin of purchase preference is defined in the Govt. of India Order No: P-45021/12/2017-PP (BE-II) Dt.4th June, 2020) Order 2017. As per the Government of India Order – “Margin of Purchase Preference” means the maximum extent to which the price quoted by a “Class-I local supplier” may be above the L1 for the purpose of purchase preference. <p>**Note: Local content percentage to be calculated in accordance with the definition provided at clause 2 of revised public procurement preference to Make in India Policy vide GoI Order no. P-45021/2/2017-PP (B.E.-II) dated 15.06.2017 (subsequently revised vide orders dated 28.05.2018, 29.05.2019 and 04.06.2020) MOCI order No. 45021/2/2017-PP (BE II) Dt.16th September 2020 & P-45021/102/2019-BE-II-Part(1) (E-50310) Dt.4th March 2021</p>
25)	<p>Evaluation of Bids</p> <p>Bid evaluation will take place in two stages.</p> <p>Stage I Technical Bid evaluation</p> <p>All bidders who have fully complied with bidder eligibility criteria I and technical evaluation (Annexure A) will only be considered for opening of price bid.</p> <p>Stage II: Price Bid Evaluation</p> <p>The price bid evaluation will be based on price quoted by the bidder. The rate quoted for Aeroshell Manufacturing unit will alone be taken up for arrival of Lowest Bid (L1) value.</p>
26)	<p>Selection of successful bidder and Award of Order</p> <p>The order will be directly awarded to the technically qualified bidder as per the condition in para 3A of DIPP, MoCI Order No. 45021/2/2017-PP (BE II) dated 16th September 2020.</p>
27)	<p>All information including selection and rejection of technical or financial bids of the prospective bidders will be communicated through e-Tender portal. In terms of Rule 173(iv) of General Financial Rule 2017, the bidder shall be at liberty to question the bidding conditions, bidding process and/or rejection of bids.</p>
28)	<p>The tenderer shall certify that the tender document submitted by him / her are of the same replica of the tender document as published by IIT Madras and no corrections, additions and alterations made to the same. If any deviation found in the same at any stage and date, the bid / contract will be rejected / terminated and actions will be initiated as per the terms and conditions of the contract.</p>
29)	<p>Due to Covid-19 pandemic pre-bid meeting will be conducted through online. Clarification to the queries and doubts raised by the bidders will be issued as a corrigendum/addendum in the e-tenders portal.</p>
30)	<p>Due to Covid-19 pandemic the bidders will not be entertained to participate in opening of Bids. Since the tender is e-tender, the opening of the bids may be checked using the respective logins of the bidders.</p>

ACKNOWLEDGEMENT

It is hereby acknowledged that I/We have gone through all the points listed under “Specification, Guidelines, Terms and Conditions” of tender document. I/We totally understand the terms and conditions and agree to abide by the same.

**SIGNATURE OF TENDERER ALONG WITH SEAL OF
THE COMPANY WITH DATE**

Bidder Eligibility Criteria and Technical Specification for Aeroshell Manufacturing

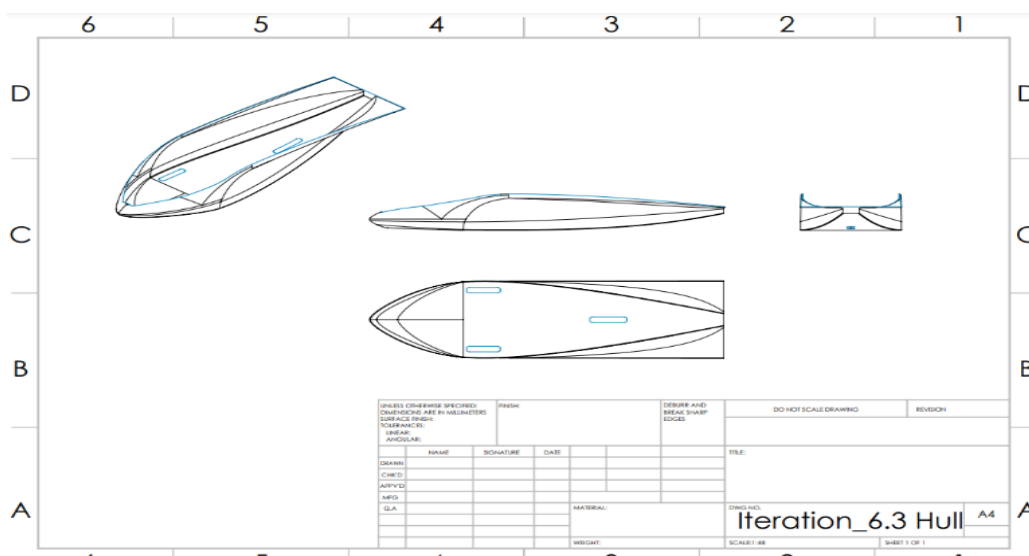
Tender No. AM/SIVA/104/2023/AEROSHELLOUT

Bidder Eligibility Criteria – I (Public Procurement – Preference to Make in India)

Only 'Class-I local suppliers' and 'Class-II local suppliers', as defined under DIPP, MoCI Order No. P-45021/2/2017-PP (BE-II) dated 16th September 2020 and other subsequent orders issued therein.

II. TECHNICAL SPECIFICATION for Aeroshell Manufacturing

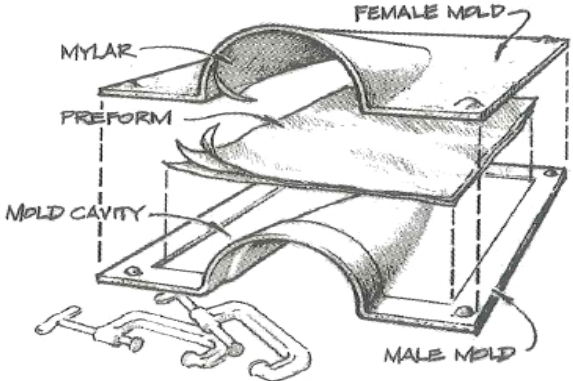
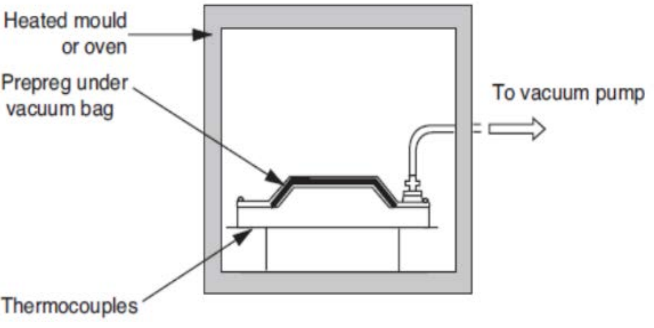
Manufacturing of outer body (without roof section) of solar car with one ply (made of 2 fiber sheets) of carbon fiber on both sides and 10mm PMI foam core between it as per the given design. Different views of outer body are –



STEP files for the CAD of hull-nose and roof section are included for reference along with this documentation.

Required material will be provided to the vendor after the tender is passed.

Material and Design details		
No.	Specification	Values and Instructions
1.	Length	4.85m
2.	Breadth	1.38m
3.	Height	0.66m
4.	Total surface area	10.14 m ²
5.	Carbon fiber material	Woven & 250GSM
6.	PMI Foam core	10mm uniform thickness
7.	Epoxy Resin and Hardener	As per requirement during layup and remove excess resin by vacuum infusion.
8.	CNC & Foam	For making male mold based for the process.
9.	Glass Fiber	For manufacturing of female mold by wet layup process from male mold.

Methodology		
No.	Processes Involved	Explanation
1.	Moulding	<ul style="list-style-type: none"> • Compression moulds, i.e., female and male moulds will be used to get precise parts and achieve a better surface finish on both sides. • Male mould to be machined (CNC) out of foam. Can be used as the core. • Female mould has to be cast from the male part with a composite layup, preferably glass fibre. • Vacuum bagging will be done to ensure layers are laid up properly on mould and to be done before oven cure in the prepreg. 
2.	Prepreg	<ul style="list-style-type: none"> • After vacuum bagging, resin will be infused into the moulds. • Curing is done using the oven with precisely controlled temperature and vacuum lines. 
3.	Important points to take care of	<ul style="list-style-type: none"> • Waterjet cutting to be used for cutting precise moulds, core, and excess layup material. • Some other processes for cutting aluminium honeycomb core since water spreads during operation. • Use appropriate PPE (Polyphenylene ether resin composition). • Make sure to use mould release during laying fibre layers for proper removal of the final piece. • Maintain the required consistent vacuum pressure and temperature during the process.

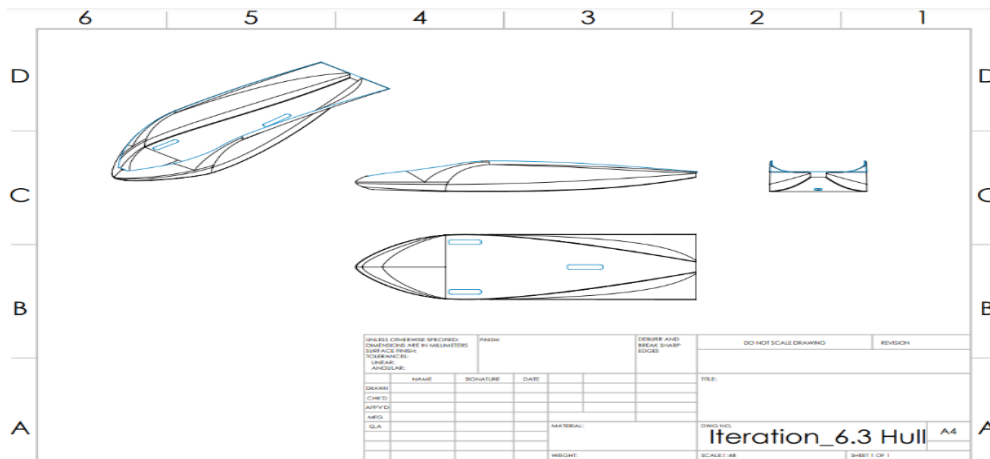
TECHNICAL BID PROFORMA
Tender No. AM/SIVA/104/2023/AEROSHELLOUT
Item Name: Aeroshell Manufacturing

1.0 Bidder Eligibility Criteria:

I	Bidder Eligibility Criteria-I (Public Procurement – Preference to Make in India)	Class I / Class II	Local Content value	Reference, Page No.
I	Only 'Class-I local suppliers' and 'Class-II local suppliers', as defined under DIPP, MoCI Order No. P-45021/2/2017-PP (BE II) dated 16 th September 2020 and other subsequent orders issued therein.			

2.0 Technical Compliance:

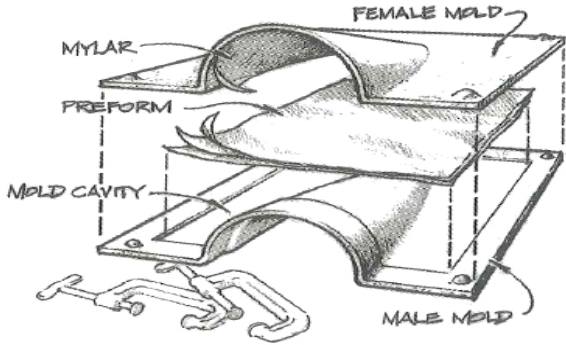
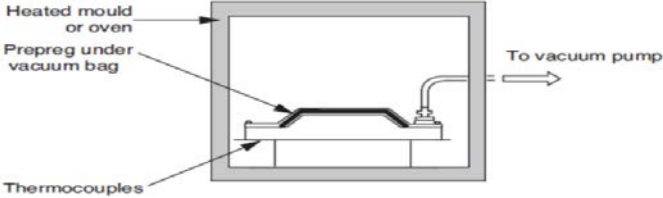
Manufacturing of outer body (without roof section) of solar car with one ply (made of 2 fiber sheets) of carbon fiber on both sides and 10mm PMI foam core between it as per the given design. Different views of outer body are –



STEP files for the CAD of hull-nose and roof section are included for reference along with this documentation.

Required material will be provided to the vendor after the tender is passed.

Material and Design details				
No.	Specification	Values and Instructions	Complied /Not Complied	Ref. Page No.
1.	Length	4.85m		
2.	Breadth	1.38m		
3.	Height	0.66m		
4.	Total surface area	10.14 m ²		
5.	Carbon fiber material	Woven & 250GSM		
6.	PMI Foam core	10mm uniform thickness		
7.	Epoxy Resin and Hardener	As per requirement during layup and remove excess resin by vacuum infusion.		
8.	CNC & Foam	For making male mold based for the process.		
9.	Glass Fiber	For manufacturing of female mold by wet layup process from male mold.		

Methodology				
No.	Processes Involved	Explanation	Complied/Not Complied	Ref. Page No.
1.	Moulding	<ul style="list-style-type: none"> • Compression moulds, i.e., female and male moulds will be used to get precise parts and achieve a better surface finish on both sides. • Male mould to be machined (CNC) out of foam. Can be used as the core. • Female mould has to be cast from the male part with a composite layup, preferably glass fibre. • Vacuum bagging will be done to ensure layers are laid up properly on mould and to be done before oven cure in the prepreg. 		
2.	Prepreg	<ul style="list-style-type: none"> • After vacuum bagging, resin will be infused into the moulds. • Curing is done using the oven with precisely controlled temperature and vacuum lines. 		
3.	Important points to take care of	<ul style="list-style-type: none"> • Waterjet cutting to be used for cutting precise moulds, core, and excess layup material. • Some other processes for cutting aluminium honeycomb core since water spreads during operation. • Use appropriate PPE (Polyphenylene ether resin composition). • Make sure to use mould release during laying fibre layers for proper removal of the final piece. • Maintain the required consistent vacuum pressure and temperature during the process. 		

**SIGNATURE OF BIDDER ALONG WITH
SEAL OF THE COMPANY WITH DATE**

FINANCIAL BID (PROFORMA) - BILL OF QUANTITIES (BOQ)

Item Name: Aeroshell Manufacturing
Tender No. AM/SIVA/104/2023/AEROSHELLOUT

It. No	Description of work	Quantity	Units	Basic Rate in INR	GST in Percentage	Total Amount with taxes in INR
1	Aeroshell Manufacturing	1	Nos.			
	Grand Total					

Total Amount Rupees in words _____

FORMAT FOR AFFIDAVIT OF SELF-CERTIFICATION UNDER PREFERENCE TO MAKE IN INDIA – PER ITEM

Tender Reference Number:

Name of the item / Service:

Date: _____

I/We _____ S/o, D/o, W/o, _____

Resident of _____

Hereby solemnly affirm and declare as under:

That I will agree to abide by the terms and conditions of the Public Procurement (Preference to Make in India) Policy vide GoI Order no. P-45021/2/2017-PP (B.E.-II) dated 15.06.2017 (subsequently revised vide orders dated 28.05.2018, 29.05.2019 and 04.06.2020) MOCI order No. 45021/2/2017-PP (BE II) Dt.16th September 2020 & P- 45021/102/2019-BE-II-Part (1) (E-50310) Dt.4th March 2021 and any subsequent modifications/Amendments, if any and

That the local content for all inputs which constitute the said item/service/work has been verified by me and I am responsible for the correctness of the claims made therein.

Tick (✓) and Fill the Appropriate Category	
<input type="checkbox"/>	I/We _____ [name of the supplier] hereby confirm in respect of quoted items that Local Content is equal to or more than 50% and come under “Class-I Local Supplier” category.
<input type="checkbox"/>	I/We _____ [name of the supplier] hereby confirm in respect of quoted items that Local Content is equal to 20% but less than 50% and come under “Class-II Local Supplier” category.

- The details of the location (s) at which the local value addition is made and the proportionate value of local content in percentage

Address _____ Percentage of Local content: _____%

For and on behalf of (Name of firm/entity)

Authorized signatory (To be duly authorized by the Board of Directors)

<Insert Name, Designation and Contact No.>

[Note: In case of procurement for a value in excess of Rs. 10 Crores, the bidders shall provide this certificate from statutory auditor or cost auditor of the company (in the case of companies) or from a practicing cost accountant or practicing chartered accountant (in respect of suppliers other than companies) giving the percentage of local content.]

This letter should be on the letterhead of the quoting firm and should be signed by a competent authority. Non-submission of this will lead to Disqualification of bids.

(To be given on the letter head of the bidder)

No. _____

Dated: _____

CERTIFICATE

(Bidders from India)

I have read the clause regarding restrictions on procurement from a bidder of a country which shares a land border with India and hereby certify that I am not from such a country.

OR (*whichever is applicable*)

(Bidders from Country which shares a land border with India)

I have read the clause regarding restrictions on procurement from a bidder of a country which shares a land border with India and hereby certify that I from _____ (Name of Country) and has been registered with the Competent Authority. I also certify that I fulfil all the requirements in this regard and is eligible to be considered. *(Copy/ evidence of valid registration by the Competent Authority is to be attached)*

Place:

Date:

Signature of the Tenderer
Name & Address of the
Tenderer with Office Stamp