



**INDIAN INSTITUTE OF TECHNOLOGY MADRAS**  
Chennai 600 036



Telephone: [044] 2257 9763  
E-mail: tender@imail.iitm.ac.in

The Senior Manager (Project Purchase)

Date: 29.02.2024

Open Tender Reference No: PY/ABHI/145/2024/ELEBEDEPO

GEM NAR ID: GEM/GARPTS/23022024/UVVHQOEJAXIK

Due Date/Time: 20.03.2024@ 3:00 PM

Dear Sir/Madam,

On behalf of the Indian Institute of Technology Madras, digitally signed online bids are invited in two bid system from Class-I local suppliers and Class II local suppliers, for the supply of: “**Electron Beam Deposition**” Conforming to the specifications given in **Annexure -A**.

Tender Documents may be downloaded from Central Public Procurement Portal <https://etenders.gov.in/e procure/app>. Aspiring Bidders who have not enrolled / registered in e-procurement should enroll / register before participating through the website <https://etenders.gov.in/e procure/app>. The portal enrolment is free of cost. Bidders are advised to go through instructions provided at “**Help for Vendors**”. [Special Instructions to the Vendors / Bidders for the e-submission of the bids online through this eProcurement Portal”]

Bidders can access tender documents on the website (For searching in the NIC site, kindly go to Tender Search option and type ‘IIT’. Thereafter, click on “GO” button to view all IIT Madras tenders). Select the appropriate tender and fill them with all relevant information and submit the completed tender document online on the website <https://etenders.gov.in/e procure/app> as per the schedule attached.

1)	<b>Pre-bid Meeting Details</b>	:	If required will be intimated
2)	<b>ICSR Vendor Registration</b>	:	<p><b><u>Vendor registration:</u></b> Vendor registration with IC&amp;SR (IITM) is mandatory for bidders to participate in tenders.</p> <p><b>** <u>For Vendor Registration &amp; Guidelines, Please follow the website :</u></b>  <a href="https://icandsr.iitm.ac.in/vendorportal">https://icandsr.iitm.ac.in/vendorportal</a>;          Helpdesk: <a href="mailto:vendorhelpdesk@icsrpis.iitm.ac.in">vendorhelpdesk@icsrpis.iitm.ac.in</a></p>

**No manual bids will be accepted.** All tender documents including Technical and Financial bids should be submitted in the E-procurement portal.

<b>Last date for receipt of tender</b>	:	<b>20.03.2024 @ 3:00 PM</b>
<b>Date &amp; time of opening of tender</b>	:	<b>21.03.2024 @ 3:00 PM</b>

### 3. Instructions to the Bidder:

A)	Searching for tender documents	:	<ul style="list-style-type: none"> <li>• There are various search options built in the CPP Portal, to facilitate bidders to search active tenders by several parameters. These parameters could include Tender ID, organization name, location, date, value, etc. There is also an option of advanced search for tenders, wherein the bidders may combine a number of search parameters such as organization name, form of contract, location, date, other keywords etc. to search for a tender published on the CPP Portal.</li> <li>• Once the bidders have selected the tenders they are interested in, they may download the required documents / tender schedules. These tenders can be moved to the respective “<b>My Tender</b>” folder. This would enable the CPP Portal to intimate the bidders through SMS / email in case there is any corrigendum issued to the tender document.</li> <li>• The bidder should make a note of the <b>unique Tender ID</b> assigned to each tender, in case they want to obtain any clarification / help from the Helpdesk.</li> </ul>
B)	Assistance to bidders	:	<ul style="list-style-type: none"> <li>• Any queries relating to the tender document and the terms and conditions contained therein should be addressed to the Tender Inviting Authority for a tender or the relevant contact person indicated in the tender.</li> <li>• Any queries relating to the process of online bid submission or queries relating to CPP Portal in general may be directed to the 24x7 CPP Portal Helpdesk. The contact number for the helpdesk is [0120-4200462, 0120-4001002, 0120-4001005]</li> </ul>
C)	Enrollment Process to Bidders	:	<p><b><u>REGISTRATION</u></b></p> <ul style="list-style-type: none"> <li>• Bidders are required to enroll on the e-Procurement module of the Central Public Procurement Portal <a href="https://etenders.gov.in/eprocure/app">URL:https://etenders.gov.in/eprocure/app</a> by clicking on “Online Bidder Enrollment”. Enrollment on the CPP Portal is free of charge.</li> <li>• As part of the enrolment process, the bidders will be required to choose a unique username and assign a password for their accounts.</li> <li>• Bidders are advised to register their valid email address and mobile numbers as part of the registration process. These would be used for any communication from the CPP Portal.</li> <li>• Upon enrolment, the bidders will be required to register their valid Digital Signature Certificate (Class II or Class III Certificates with signing key usage) issued by any Certifying Authority recognized by CCA India (e.g. Sify / TCS / nCode / eMudhra etc.)</li> <li>• Only one valid DSC should be registered by a bidder. Please note that the bidders are responsible to ensure that they do not lend their DSCs to others which may lead to misuse.</li> <li>• Bidder then may log in to the site through the secured log-in by</li> </ul>

			<p>entering their user ID / password and the password of the DSC / eToken.</p> <ul style="list-style-type: none"> <li>• Possession of a Valid Class II/III Digital Signature Certificate (DSC) in the form of smart card/e-token in the company's name is a prerequisite for registration and participating in the bid submission activities through <a href="https://etenders.gov.in/eprocure/app">https://etenders.gov.in/eprocure/app</a></li> <li>• Digital Signature Certificates can be obtained from the authorized certifying agencies, details of which are available in the web site <a href="https://etenders.gov.in/eprocure/app">https://etenders.gov.in/eprocure/app</a> under the “Information about DSC”.</li> </ul>
<b>D)</b>	<b>Preparation of bids</b>	:	<ul style="list-style-type: none"> <li>• Bidder should take into account any corrigendum published on the tender document before submitting their bids.</li> <li>• Please go through the tender advertisement and the tender document carefully to understand the documents required to be submitted as part of the bid. Please note the number of covers in which the bid documents have to be submitted, the number of documents including the names and content of each of the document that need to be submitted. Any deviations from these may lead to rejection of the bid.</li> <li>• Bidder, in advance, should prepare the bid documents to be submitted as indicated in the tender document / schedule and generally shall be in PDF / XLS formats as the case may be. Bid documents may be scanned with 100 dpi with black and white option.</li> <li>• To avoid the time and effort required in uploading the same set of standard documents which are required to be submitted as a part of every bid, a provision of uploading such standard documents (e.g. PAN card copy, GSTIN Details, annual reports, auditor certificates etc.) has been provided to the bidders. Bidders can use “<b>My Documents</b>” area available to them to upload such documents. These documents may be directly submitted from the “<b>My Documents</b>” area while submitting a bid, and need not be uploaded again and again. This will lead to a reduction in the time required for bid submission process.</li> </ul>
<b>E)</b>	<b>Submission of bids</b>	:	<ul style="list-style-type: none"> <li>• Bidder should log into the site well in advance for bid submission so that he/she can upload the bid in time i.e. on or before the bid submission date and time. Bidder will be responsible for any delay due to other issues.</li> <li>• The bidder has to digitally sign and upload the required bid documents one by one as indicated in the tender document.</li> <li>• Bidder has to select the bid security declaration. Otherwise, the tender will be summarily rejected.</li> <li>• A standard BOQ format has been provided with the tender document to be filled by all the bidders. Bidders are requested to note that they should necessarily submit their financial bids in the format provided and no other format is acceptable. Bidders are required to download the BOQ file, open it and complete the detail with their respective financial quotes and other details (such as</li> </ul>

		<p>name of the bidder). If the BOQ file is found to be modified by the bidder, the bid will be rejected.</p> <ul style="list-style-type: none"> <li>• The server time (which is displayed on the bidders' dashboard) will be considered as the standard time for referencing the deadlines for submission of the bids by the bidders, opening of bids etc. The bidders should follow this time during bid submission.</li> <li>• The Tender Inviting Authority (TIA) will not be held responsible for any sort of delay or the difficulties faced during the submission of bids online by the bidders due to local issues.</li> <li>• The uploaded tender documents become readable only after the tender opening by the authorized bid openers.</li> <li>• Upon the successful and timely submission of bids, the portal will give a successful bid submission message &amp; a bid summary will be displayed with the bid no. and the date &amp; time of submission of the bid with all other relevant details.</li> <li>• Kindly add scanned PDF of all relevant documents in a single PDF file of compliance sheet.</li> <li>• More information useful for submitting online bids on the CPP Portal may be obtained at: <a href="https://etenders.gov.in/eprocare/app">https://etenders.gov.in/eprocare/app</a>.</li> <li>• All tender documents including pre-qualification bid, Technical Bid &amp; Financial Bid should be submitted separately in online CPP portal as per the specified format only. Right is reserved to ignore any tender which fails to comply with the above instructions. <b>No manual bid submission will be entertained.</b></li> </ul>
F)	Marking on Technical Bid	<ul style="list-style-type: none"> <li>• The bidder eligibility criteria, technical specification and supply of item for this tender is given in Annexure A.</li> <li>• The Bidders shall go through the specification and submit the technical bid.</li> <li>• The Technical bid should be submitted in the proforma as per Annexure-B in pdf format only through online (e-tender). No manual submission of bid will be entertained.</li> <li>• The technical bid should have a page-wise heading as "Technical Bid" and page no. in all pages with seal and signature of authorized signatory. The total no. of pages should be mentioned at the last page of the documents.</li> <li>• The technical bid should consist of bidder eligibility criteria details and all technical details along with catalogue/ pamphlet which will give a detailed description of product with technical data sheet so that technical compliance can be verified.</li> </ul>
G)	Marking on Price Bid	<ul style="list-style-type: none"> <li>• Financial bid (BoQ) should be submitted in the prescribed proforma format as per Annexure-C in xls format through e-tender only. No manual or other form of submission of Financial Bid will be entertained</li> </ul>

4)	<p><b>Preparation of Tender:</b> The bidders should submit the bids in two bid system as detailed below.</p> <p><b>Bid I _Technical Bid</b></p> <p>The technical bid should consist of bidder eligibility criteria and technical specification compliance sheet as per the <b>Technical Bid Proforma (Annexure-B)</b>.</p> <p><b>Bid II _Price Bid</b></p> <p>The price bid should be submitted in excel format (BoQ) as per the <b>Financial Bid Proforma (Annexure - C)</b> uploaded in the e-Tender web site. The Quoted price should be for supply and installation of the item and inclusive of all cost and statutory levies at IIT Madras.</p>
5)	<p><b>Price:</b></p> <ol style="list-style-type: none"> <li>a) The price should be quoted only in INR net per unit (after breakup) and must include all packing, transit insurance and delivery charges to <b>Department of Physics</b></li> <li>b) The rate quoted shall be all inclusive of all taxes and no extra payment will be made other than statutory revisions as per the terms and conditions stipulated in this contract document.</li> <li>c) The percentage of tax &amp; duties should be clearly indicated separately. IIT Madras is eligible for custom duty (5.5%). Relevant certificates will be issued wherever necessary.</li> <li>d) The offer/bids should be submitted through online only in two bid system i.e. Technical Bid and Financial Bid separately.</li> </ol>
6)	<p><b>Tenderer shall submit along with this tender:</b></p> <ol style="list-style-type: none"> <li>(i) Proof of having ISO or other equivalent certification given by appropriate authorities.</li> <li>(ii) Name and full address of the Banker and their swift code and PAN No. and GSTIN number.</li> <li>(iii) GST registration proof showing registration number, area of registration etc.</li> <li>(iv) All of your future correspondences including Invoices should bear the GST No. and Area Code.</li> </ol>
7)	<p><b>Terms of Delivery:</b></p> <p>Supplier will be fully responsible for the safe carriage, Installation/Commissioning of goods up to <b>Department of Physics</b>, or named place as per PO, Insurance coverage will be in the scope of the supplier.</p> <p>The tenderer should indicate clearly the time required for delivery of the item (subject to the approval of the Exclusive Purchase Committee-IIT-Madras). In case there is any deviation in the delivery schedule, liquidated damages clause will be enforced or penalty for the delayed supply period will be levied.</p> <p>In the event of delay or non-supply of materials/execution of Contract beyond the date of delivery/completion of job. The penalty will be levied @1% per week of delay subject to a max of 10% of the value of purchase order and if the delay is more than accepted time frame by IIT M, the PO would be partially or fully cancelled and liquidated damages will be enforced accordingly.</p>
8)	<p><b>Period for which the offer will remain open:</b></p> <p>The offer shall remain valid for 120 days from the date of opening of the tender. However, the day up to which the offer is to remain valid being declared closed holiday for the Indian Institute of Technology Madras, the offer shall remain valid for acceptance till the next working day.</p>

9)	<p><b>EMD:</b> The EMD of <b>Rs.80,000</b> to be transferred to the account details mentioned in Annexure I and proof should be enclosed in the Technical Bid. Any offer not accompanied with the EMD shall be rejected summarily as non-responsive. The EMD of the unsuccessful bidders shall be returned within 30 days of the end of the bid validity period. The same shall be forfeited, if the tenderers withdraw their offer after the opening during the bid validity period. The Institute shall not be liable for payment of any interest on EMD.</p> <p>EMD is exempted for Micro and Small Enterprises (MSE) as defined in MSE Procurement Policy issued by Department of Micro, Small and Medium Enterprises (MSME) and Startups as recognized by Department of Industrial Policy &amp; Promotion (DIPP). (MSE/MSME/DIPP PROOF should be enclosed in the cover containing technical bid)</p>
10)	<p><b>Performance Security: -</b></p> <p>The successful bidder should submit Performance Security for an amount of 5% of the basic invoice value of the contract/supply. The Performance Security may be furnished in the form of an Insurance Surety Bond, Account Payee DD, FD Receipt in the name of “The Registrar, IIT Madras” from any scheduled commercial bank or Bank Guarantee from any scheduled commercial bank in India or online payment in an acceptable form. The performance security should be furnished within 14 days from the date of the purchase order.</p> <p>Performance Security in the form of Bank Guarantee: - In case the successful bidder wishes to submit Performance Security in the form of Bank Guarantee, the Bank Guarantee should be routed directly to IIT Madras from the Bank.</p> <p>The Performance Security Deposit should remain valid for a period of sixty days beyond the date of completion of all contractual obligations.</p>
11)	<p>For the same tender, either the OEM or the authorized dealer/service provider can only quote. But both of them cannot quote separately for the same tender.</p>
12)	<p>The offers/bids should be sent only for a item/Equipments of latest version that is available in the market and supplied to a number of customers. A list of customers in India with details must accompany the quotations. Quotations for a prototype machine will not be accepted</p>
13)	<p>Original catalogue (not any photocopy) of the quoted model duly signed by the principals must accompany the quotation in the technical bid.</p>
14)	<p>Compliance or Confirmation report with reference to the specifications and other terms &amp; conditions should also be obtained from the principal/OEM.</p>
15)	<p><b>Risk Purchase Clause</b></p> <p>In the event of failure of contractual obligation during the schedule, the Office of Industrial Consultancy and Sponsored Research, Indian Institute of Technology Madras has all the right to engage other sources on the total risk of the sanctioned vendor under risk purchase clause.</p>
16)	<p><b>Payment:</b></p> <p>(i) No Advance payment will be made. However, 90% Payment after supply and 10% after installation are agreed to wherever the installation is involved.</p> <p>(ii) Advance Payment: No advance payment is generally admissible. In case a specific percentage of advance payment is required, the Vendor has to submit a Bank Guarantee from a</p>

	scheduled commercial bank in India equivalent to the amount of advance payment.
17)	<p><b>On-site Installation:</b></p> <p>The equipment/item or Machinery has to be installed or commissioned by the successful bidder within the number of days (as prescribed by PI) from the date of receipt of the item at the site of IIT Madras.</p>
18)	<p><b>Warranty/Guarantee:</b></p> <p>The offer should clearly specify the warranty or guarantee period for the machinery/equipment. Any extended warranty offered for the same has to be mentioned separately (For more details please refer our Technical Specifications).</p> <p><b>** Note: PO which involves installation, warranty/guarantee shall be applicable from date of installation.</b></p>
19)	<p><b>Acceptance and Rejection:</b></p> <p>Failure to comply with any of the instructions stated in this document or offering unsatisfactory explanations for non-compliance will likely to lead to rejection of offers.</p> <p>I.I.T. Madras has the right to accept the whole or any part of the Tender or portion of the quantity offered or reject it in full without assigning any reason.</p>
20)	<p><b>Debarment from Bidding:</b></p> <p>In case of breach of Terms &amp; Conditions, Bidder may be suspended from being eligible for bidding in any contract with the IIT Madras up to 2 Years [as per Rule 151(iii) of GFR] from the date of Tender.</p>
21)	<p><b>Disputes and Jurisdiction:</b></p> <p><b>Settlement of Disputes:</b> Any dispute, controversy or claim arising out of or in connection with this PO including any question regarding its existence, validity, breach or termination, shall in the first instance be attempted to be resolved amicably by both the Parties. If attempts for such amicable resolution fails or no decision is reached within 30 days whichever is earlier, then such disputes shall be settled by arbitration in accordance with the Arbitration and Conciliation Act, 1996. Unless the Parties agree on a sole arbitrator, within 30 days from the receipt of a written request by one Party from the other Party to so agree, the arbitral panel shall comprise of three arbitrators. In that event, the supplier will nominate one arbitrator and the Project Coordinator of IITM shall nominate an arbitrator. The Dean IC&amp;SR will nominate the Presiding Arbitrator of the arbitral tribunal. The arbitration proceeding shall be carried out in English language. The cost of arbitration and fees of the arbitrator(s) shall be shared equally by the Parties. The seat of arbitration shall be at IC&amp;SR IIT Madras, Chennai.</p> <ol style="list-style-type: none"> <li>a. <b>The Applicable Law:</b> The Purchase Order shall be construed, interpreted and governed by the Laws of India. Court at Chennai shall have exclusive jurisdiction subject to the arbitration clause.</li> <li>b. Any legal disputes arising out of any breach of contract pertaining to this tender shall be settled in the court of competent jurisdiction located within the city of Chennai in Tamil Nadu.</li> </ol>

22)	<p><b>Force Majeure:</b> The Supplier shall not be liable for forfeiture of its performance security, liquidated damages or termination for default, if and to the extent that, it's delay in performance or other failure to perform its obligations under the Contract is the result of an event of Force Majeure.</p> <p>For purposes of this Clause, "Force Majeure" means an event beyond the control of the Supplier and not involving the Supplier's fault or negligence and not foreseeable. Such events may include, but are not limited to, acts of the Purchaser either in its sovereign or contractual capacity, wars or revolutions, fires, floods, epidemics, quarantine restrictions and freight embargoes.</p> <p>If a Force Majeure situation arises, the Supplier shall promptly notify the Purchaser in writing of such conditions and the cause thereof. Unless otherwise directed by the Purchaser in writing, the Supplier shall continue to perform its obligations under the Contract as far as is reasonably practical, and shall seek all reasonable alternative means for performance not prevented by the Force Majeure event.</p>
23)	<p><b>Eligibility Criteria:</b></p> <ul style="list-style-type: none"> <li>➤ <b>As per the Government of India Order, only "Class - I Local Suppliers" and "Class - II Local Suppliers" <u>can participate in this tender.</u></b></li> <li>➤ <b><u>Bidder should confirm their acceptance that they comply with the provisions with report to "Guidelines for eligibility of a bidder from a country which shares a land border with India as detailed at Annexure-E. The bidder should submit Certificate for "Bidder from/ Not from Country sharing Land border with India &amp; Registration of Bidder with Competent Authority" as per Order of DoE F.No.6/18/2019-PPD dated 23.07.2020 and No.F.7/10/2021-PPD(1) dated 23.02.2023.</u></b></li> </ul>



24)	<p><b>Preference to “class I Local Suppliers”:</b> preference will be given to “<b>class 1 local suppliers</b>” (subject to class -I local supplier’s quoted price falling within the margin of purchase preference ) as per public procurement (preference to make in India) order 2017 .O.M No P- 45021/2/2017 – pp(BE - 11) dt 04/06/2020 subject to the conditions that the “class 1 Local Supplier” should agree to supply goods / provide service at L1 rate and furnish a certificate with the technical bid document that the goods/service provided by them consists local content equal to or more than 50%.( certificate from Chartered Accountant in case value of contract exceeds Rs 10 crore).</p> <ul style="list-style-type: none"> <li>➤ <b>‘Class - I local supplier’</b> means a supplier or service provider whose goods, services or works offered for procurement consists of local content equal to or more than 50% as defined under the above said order. <b>Declaration to be provided as per Annexure-D per item/service/work.</b></li> <li>➤ <b>‘Class - II local supplier’</b> means a supplier or service provider whose goods, services or works offered for procurement consists of local content equal to 20% but less than 50% as defined under the above said order. <b>Declaration to be provided as per Annexure-D per item/service/work.</b></li> <li>➤ <b>‘Margin of purchase preference’:</b> - The margin of purchase preference shall be 20%. The Definition of the margin of purchase preference is defined in the Govt. of India Order No: <b>P-45021/12/2017-PP (BE-II) Dt.4th June, 2020) Order 2017. As per the Government of India Order – “Margin of Purchase Preference” means the maximum extent to which the price quoted by a “Class-I local supplier” may be above the L1 for the purpose of purchase preference.</b></li> </ul> <p><b>**Note: Local content percentage to be calculated in accordance with the definition provided at clause 2 of revised public procurement preference to Make in India Policy vide GoI Order no. P-45021/2/2017-PP (B.E.-II) dated 15.06.2017 (subsequently revised vide orders dated 28.05.2018, 29.05.2019and 04.06.2020) MOCI order No. 45021/2/2017-PP (BE II) Dt.16th September 2020 &amp; P-45021/102/2019-BE-II-Part(1) (E-50310) Dt.4th March 2021</b></p>
25)	<p><b>Evaluation of Bids</b></p> <p>Bid evaluation will take place in two stages.</p> <p><b>Stage I Technical Bid evaluation</b></p> <p>All bids received within due date and time will be opened for technical evaluation as per scheduled time. All bidders who have fully complied with bidder eligibility criteria I, II and technical Specification (Annexure B) will only be considered for opening of financial bid.</p> <p><b>Stage II: Financial Bid Evaluation</b></p> <p>The Financial bid evaluation will be based on price quoted by the bidder. The rate quoted for <b>Electron Beam Deposition</b> unit will alone be taken up for arrival of Lowest Bid (L1) value.</p>
26)	<p>In accordance to the Rule 173 of GFR,2017 and relevant provisions thereof in Procurement Manuals, 2022, IC&amp;SR, IITM reserves the right to carry out the negotiation process through its purchase/technical committee with L1/H1 (as applicable) vendor to ensure price reasonability before final recommendation to the Competent Authority. The negotiation details, if any, on case to case basis shall be recorded in minutes of meetings suitably for records.</p>
27)	<p><b>Selection of successful bidder and Award of Order</b></p> <p>The order will be directly awarded to the technically qualified bidder as per the condition in para 3A of DIPP, MoCI Order No. 45021/2/2017-PP (BE II) dated 16th September 2020.</p>
28)	<p>All information including selection and rejection of technical or financial bids of the prospective bidders will be communicated through e-Tender portal. In terms of Rule 173(iv) of General Financial Rule 2017, the bidder shall be at liberty to question the bidding conditions, bidding process and/or rejection of bids.</p>

<b>29)</b>	The tenderer shall certify that the tender document submitted by him / her are of the same replica of the tender document as published by IIT Madras and no corrections, additions and alterations made to the same. If any deviation found in the same at any stage and date, the bid / contract will be rejected / terminated and actions will be initiated as per the terms and conditions of the contract.
<b>30)</b>	Clarification to the queries and doubts raised by the bidders will be issued as a corrigendum/addendum in the e-tenders portal.
<b>31)</b>	In the e-tender process, participation of bidders after the due date is not possible. The eligible bidders can login to the e-Procurement portal to ascertain the tender status.

## **ACKNOWLEDGEMENTs**

It is hereby acknowledged that I/We have gone through all the points listed under “Specification, Guidelines, Terms and Conditions” of tender document. I/We totally understand the terms and conditions and agree to abide by the same.

**SIGNATURE OF TENDERER ALONG WITH  
SEAL OF THE COMPANY WITH DATE**

**Bidder Eligibility Criteria and Technical Specification for Electron Beam Deposition**  
Tender No. PY/ABHI/145/2024/ELEBEDEPO

**Bidder Eligibility Criteria – I (Public Procurement – Preference to Make in India)**

Only 'Class-I local suppliers' and 'Class-II local suppliers', as defined under DIPP, MoCI Order No. P-45021/2/2017-PP (BE-II) dated 16<sup>th</sup> September 2020 and other subsequent orders issued therein (ANNEXURE – D)

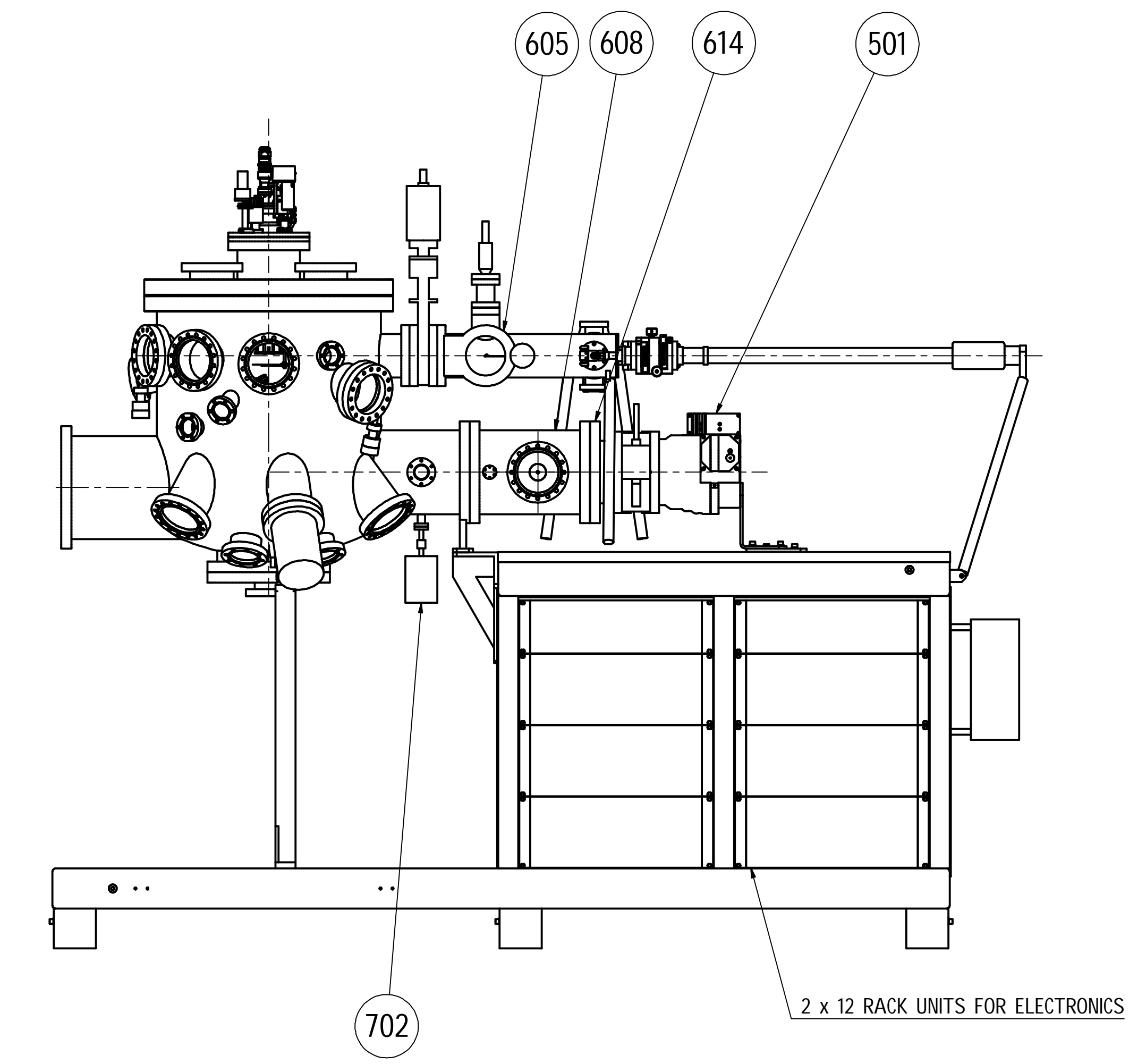
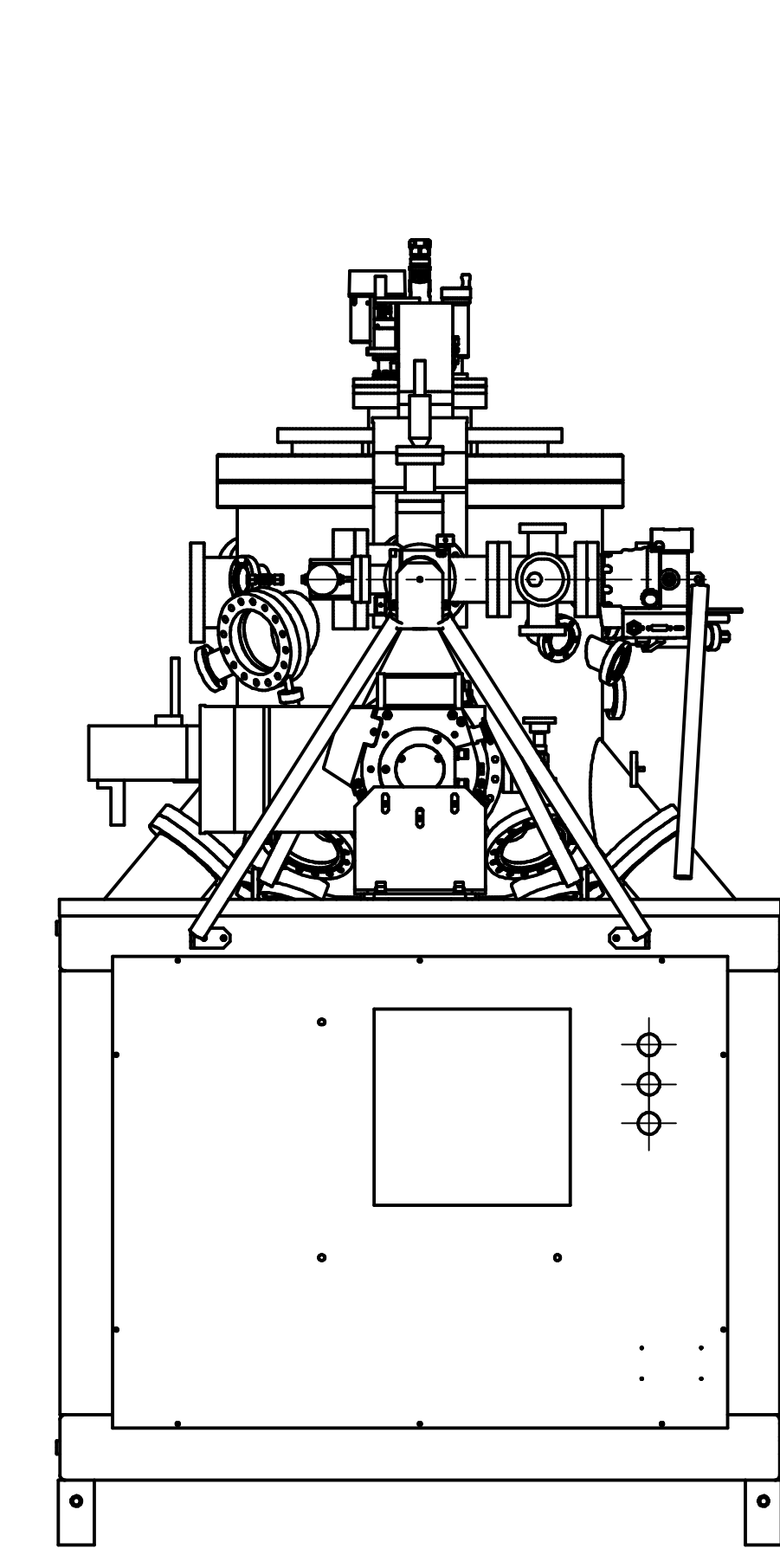
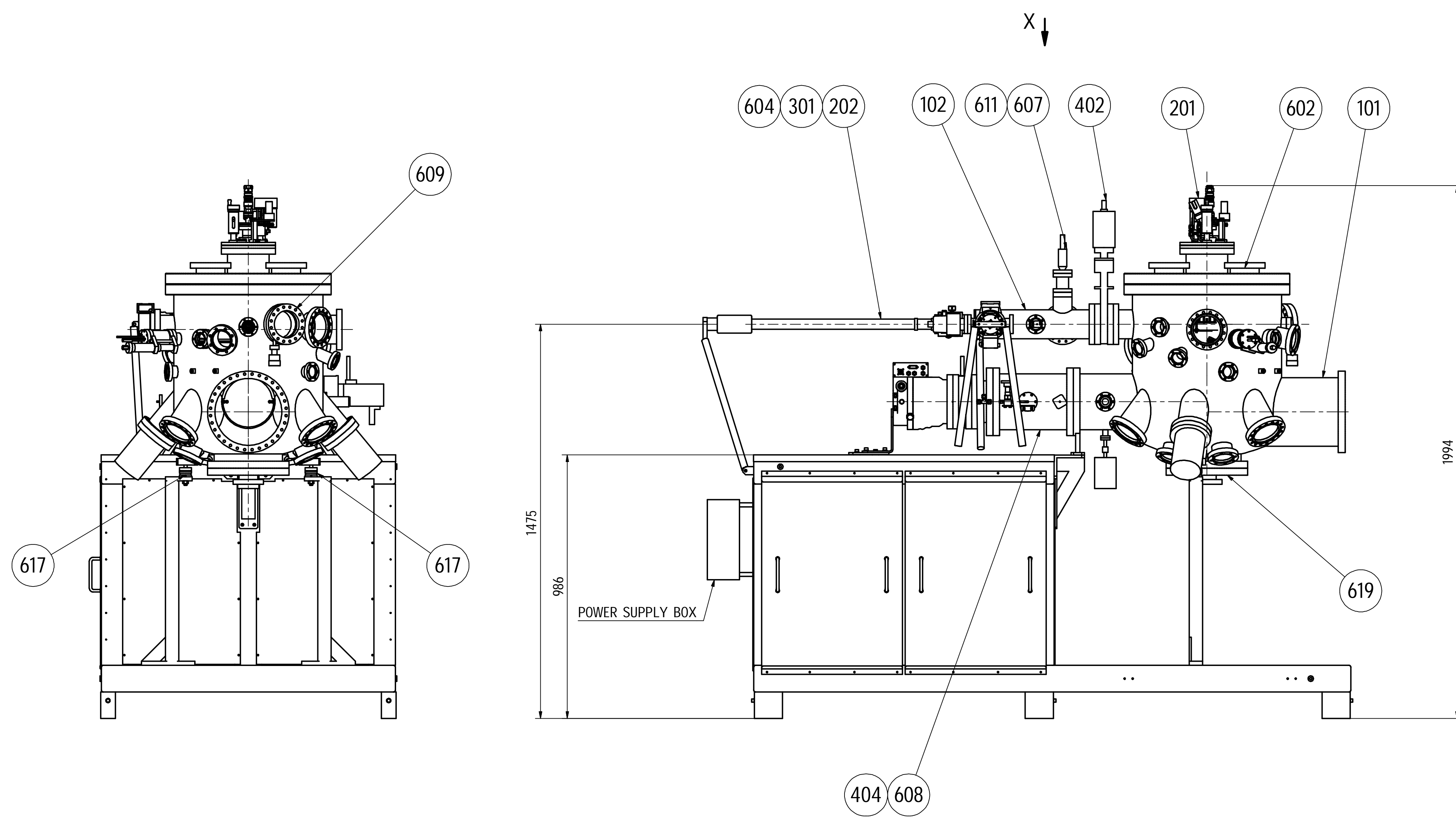
**Bidder Eligibility Criteria – II**

1. Vendor Registration ID/Proof.
2. Land Border Certificate (ANNEXURE – E)
3. **OEM Certificate Form**-The Participating Bidder's firm shall be the Original Equipment Manufacturer (OEM) or OEM Certified authorized firm (ANNEXURE – F)
4. Non- Debarment Declaration (ANNEXURE – H)
5. Mandate Form (ANNEXURE – J)
6. EMD as per Tender, to be remitted in the account number as given in the (Annexure – I) or EMD is exempted for Micro and Small Enterprises (MSE) as defined in MSE Procurement Policy issued by Department of Micro, Small and Medium Enterprises (MSME) and Startups as recognized by Department of Industrial Policy & Promotion (DIPP). (MSE/MSME/DIPP PROOF should be enclosed in the cover containing technical bid).
7. The bidder should have documentary evidence of having supplied at least 3 nos. of similar Electron Beam Evaporation units to Government labs / Govt. Institutions / Universities, etc. in the recent past. Contact details of the faculty-in-charge of the installed setup must also be provided.
8. Local Service and technical support should be available. Detail of experienced service engineer including contract detail should be provided in tender document.
9. Vendor should install the e-beam unit and demonstrate the working of the same.

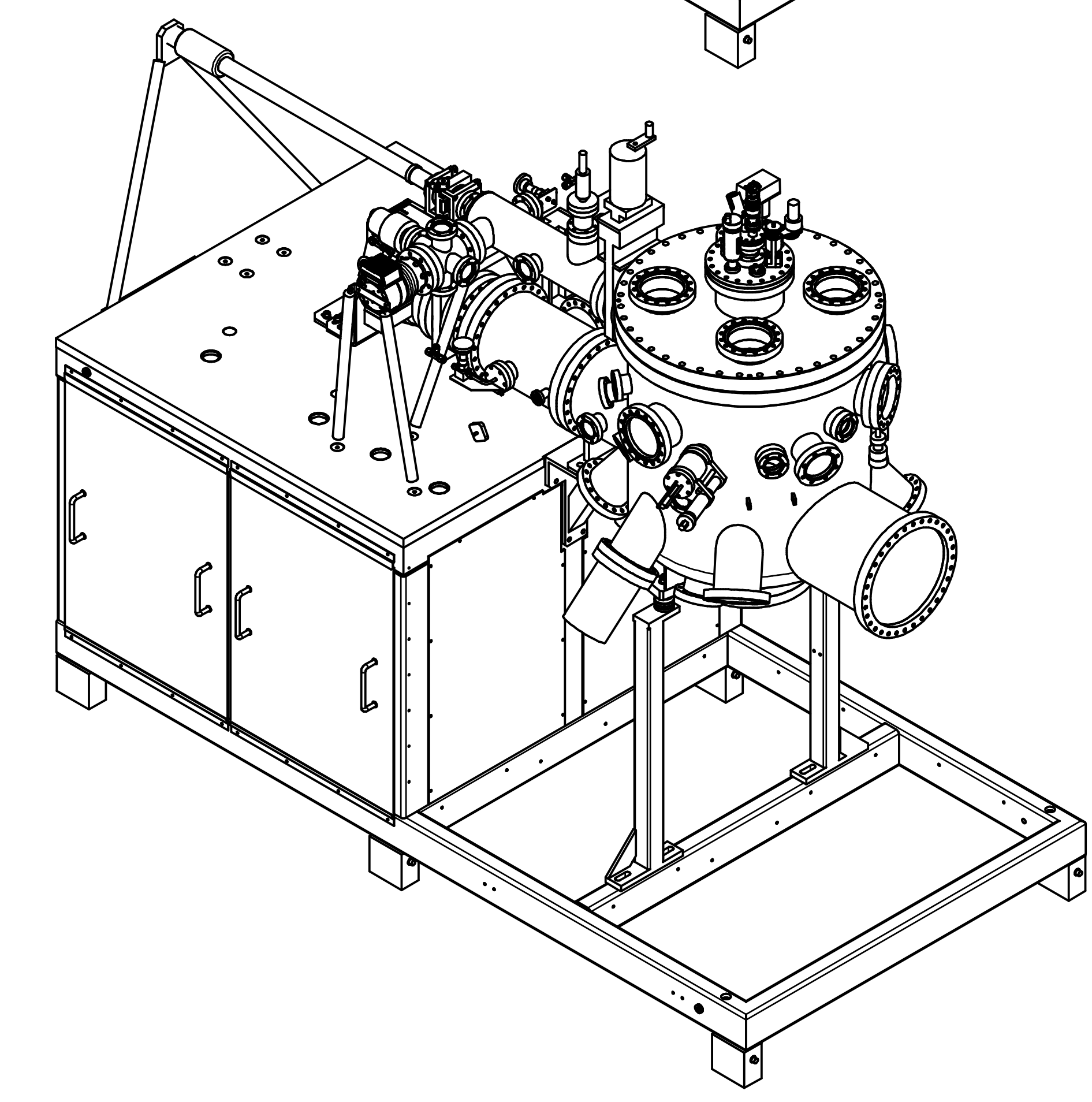
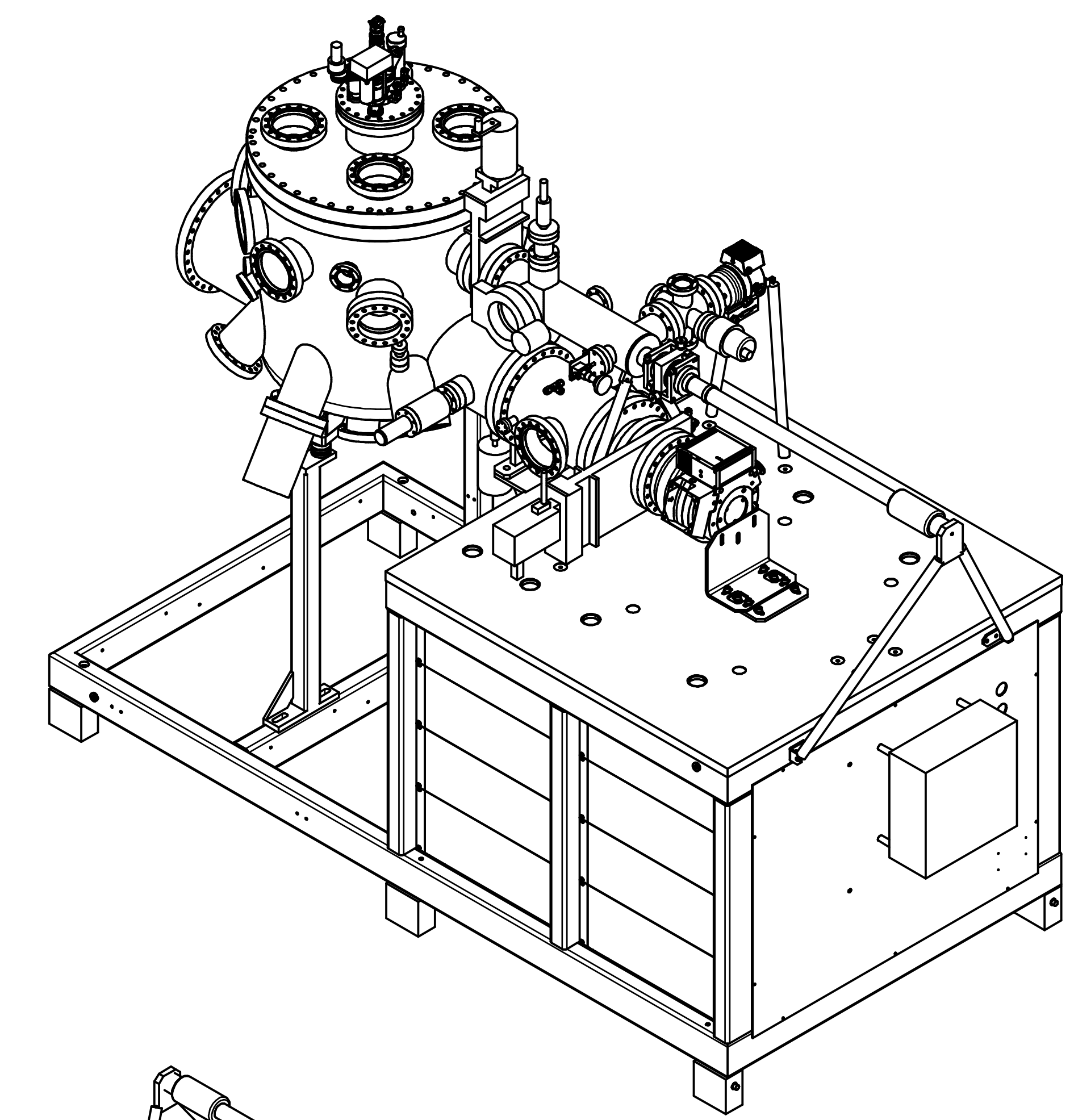
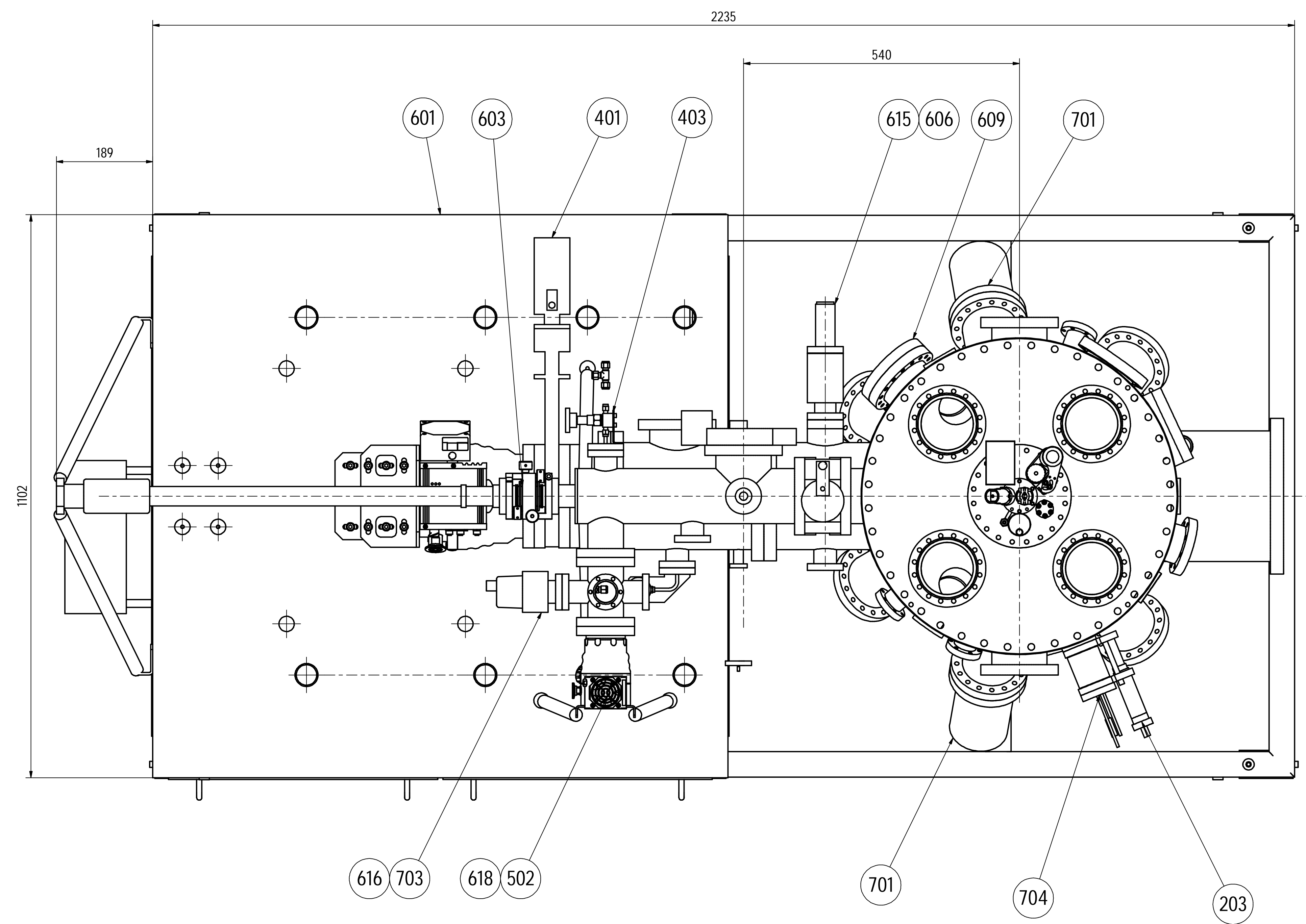
**III Technical Specification for Electron Beam Deposition**

- Through this tender, we want to purchase an Electron Beam Deposition (EBD) unit for an existing ultra-high vacuum ( $\sim 1 \times 10^{-10}$  mbar or better) chamber designed and manufactured by OMICRON. EBD unit should be compatible with working at a vacuum of  $1 \times 10^{-8}$  mbar or better. Drawing and dimensions of the OMICRON system are given as annexure-1 of this tender document.
- As it will be a custom made high vacuum (HV) EBD accessory for the existing UHV system, the technical team of the bidders must visit the site to understand the compatibility of the accessory before submitting their bid.

S. No		Specifications
1	<b>End use of the EBD unit</b>	<p>1. End use of this system is to evaporate metals such as Chromium, Gold, Titanium, Platinum, Molybdenum, Nickel, Tungsten etc. and metal oxides.</p> <p>2. Description of the samples on which metals to be deposited:            (i) Metals will be deposited on polymers patterned through electron beam lithography and/or optical lithography techniques. These polymers are, in general, temperature sensitive and therefore the temperature of the substrate holder should be well below 50oC during deposition. Existing substrate holder has the provision for rotation and vertical motion.            (ii) Deposition on blank substrates like silicon, Germanium, glass through metal shadow mask.</p>
2	<b>EBD unit</b>	<p>1. It should be a six pocket high voltage e-beam source of power 6 kW or higher, mounted on a 12 inch flange (see annexure-1 for the system schematic) along with a suitable compact size power supply.</p> <p>2. Capable of working at a base vacuum of <math>1 \times 10^{-8}</math> mbar or better.</p> <p>3. E-beam source should have a motorized turret indexer.</p> <p>4. It should have all HV compatible feed through (water, electrical etc.)</p> <p>5. Volume of the pockets should be 7cc or higher.</p> <p>6. Deposition should be free of arcs.</p> <p>7. Design of the e-beam source be such that there is no cross contamination.</p> <p>8. It should have flexible water pipes and water cooling connection system.</p> <p>9. It should have a shutter.</p> <p>10. It should have X-Y beam sweep controller to independently control the following parameters in both X and Y direction: Beam position, Beam sweep amplitude, waveforms etc.</p> <p>11. Provision for using replaceable crucibles.</p> <p>12. High voltage cables and sockets should be designed with proper insulation.</p>
3	<b>Optional</b>	<p>1. Accessory for controlling the deposition rate and thickness.</p> <p>2. Arrangements to cool the substrate below room temperature.</p>



X (1:5)



Pos.	Menge	Artikel-Nr.	Benennung	Dokument-Nr.
101	1	R212473	SPUTTER CHAMBER	468-0102
102	1	R212509	FIL CHAMBER	468-0104
201	1		2" Manipulator L=279mm (UHV Design)	
202	1	PN02580	Power Probe 24" PP35-610-H/O - CF70 (UHV Design)	KT-0708
203	1	D1905	Linear Transfer Mech CF70 ZLTMSQ (VG)	KT-0429
301	1	R205503	WAFFER FORK (2") ASSY	237-0075
401	1		VAT-UHV-Schieber DN100CF pneumatisch	KT-0609
402	1	F1854	VAT-UHV-Schieber DN100CF handbetätigt	KT-0367
403	1	R205950	MUPRO VENT VALVE (CF70) ASSY	156-0013
404	1	R209485	MUPRO VENT VALVE 90° LH (CF70) ASSY	901-0094
501	1	PN03789	TURBO PUMP HPAGE 700 DN150 CF (Pfeiffer)	KT-0794
502	1	PN03778	TURBO PUMP HPAGE 80 DN63 CF (Pfeiffer)	KT-0465
601	1	R212557	SYSTEM BENCH G.A. (Kasiviswanathan)	468-0202
602	1	R212506	MBE CHAMBER FLANGE O.D. 620 mm	468-0111
603	1	CA08297	X, Y AND TILT STAGE (CF70 x 90)	GA02-2597-2 (UK)
604	1	R212505	POWERPROBE EXTENSION 360 mm ASSY	468-0146
605	1	CA03133	QUICK-ACCESS VIEWPORT DOOR - QD-600-VP-CH (CABURN MDC)	KT-1231
606	1	CA00539	ION GAUGE ADAPTOR	WA10-1044-3 (UK)
607	1	CA04890	STAB-IN HEATER (220V)	KT-0880
608	1	R212503	THROTTLE VALVE ADAPTOR (CF200) ASSY	468-0152
609	2	CA03427	VIEWPORT SHUTTER CF150 - FSH 100-B (MBE Komponenten)	KT-0713
611	1	S171403	SPACER CF70/CFR70-44 x 70	226-0275
614	1	R212562	ADAPTOR CF260/CF200 x 80	468-0166
615	1	PN00228	VICIB UHV Ion Gauge Head (VG)	KT-0352
616	1	R208517	6-WAY CROSS DW63/OW40	355-0007
617	2	R208105	ZB Kugelausgleichselement (7mm, M12)	343-0054
618	1	R212736	TURBO PUMP SUPPORT	468-0040
619	1	R212735	ADAPTOR CF265/CFR14 x 60	468-0006
701	2	R212498	MAGNETRON MAX 2" L = 350 (Mn/In)	KT-1319
702	1	PN00894	Baratron Manometer Type 121 (MKS)	KT-0832
703	1	F200305	UHV Compact full range CC gauge PKR261 DN40CF-F (Pfeiffer)	KT-0378
704	1		Film Thickness Monitor (CABURN MDC)	KT-0449

**TECHNICAL BID PROFORMA**  
**Tender No. PY/ABHI/145/2024/ELEBEDEPO**  
**Item Name: Electron Beam Deposition**

**1.0 Bidder Eligibility Criteria:**

I	<b>Bidder Eligibility Criteria-I (Public Procurement – Preference to Make in India)</b>	Class I / Class II	Local Content Percentage	Ref. Page No.
I	Only 'Class-I local suppliers' and 'Class-II local suppliers', as defined under DIPP, MoCI Order No. P-45021/2/2017-PP (BE II) dated 16 <sup>th</sup> September 2020 and other subsequent orders issued therein <b>(ANNEXURE – D)</b>			

II	<b>Bidder Eligibility Criteria-II</b>	Complied/Not Complied	Ref Page No.
1	Vendor Registration ID/Proof		
2	Land Border Certificate <b>(ANNEXURE – E)</b>		
3	<b>OEM Certificate Form</b> -The Participating Bidder's firm shall be the Original Equipment Manufacturer (OEM) or OEM Certified authorized firm <b>(ANNEXURE – F)</b>		
4	Non- Debarment Declaration <b>(ANNEXURE – H)</b> .		
5	Mandate Form <b>(ANNEXURE – J)</b>		
6	EMD as per Tender, to be remitted in the account number as given in the <b>(Annexure – I)</b> or EMD is exempted for Micro and Small Enterprises (MSE) as defined in MSE Procurement Policy issued by Department of Micro, Small and Medium Enterprises (MSME) and Startups as recognized by Department of Industrial Policy & Promotion (DIPP). (MSE/MSME/DIPP PROOF should be enclosed in the cover containing technical bid).		
7	The bidder should have documentary evidence of having supplied at least 3 nos. of similar Electron Beam Evaporation units to Government labs / Govt. Institutions / Universities, etc. in the recent past. Contact details of the faculty-in-charge of the installed setup must also be provided.		
8	Local Service and technical support should be available. Detail of experienced service engineer including contract detail should be provided in tender document.		
9	Vendor should install the e-beam unit and demonstrate the working of the same.		

### 3.0 Technical Compliance:

- Through this tender, we want to purchase an Electron Beam Deposition (EBD) unit for an existing ultra-high vacuum ( $\sim 1 \times 10^{-10}$  mbar or better) chamber designed and manufactured by OMICRON. EBD unit should be compatible with working at a vacuum of  $1 \times 10^{-8}$  mbar or better. Drawing and dimensions of the OMICRON system are given as annexure-1 of this tender document.
- As it will be a custom made high vacuum (HV) EBD accessory for the existing UHV system, the technical team of the bidders must visit the site to understand the compatibility of the accessory before submitting their bid.

S. No	Specifications	Complied/ Not Complied	Ref Page No.
1	<b>End use of the EBD unit</b>		
	1. End use of this system is to evaporate metals such as Chromium, Gold, Titanium, Platinum, Molybdenum, Nickel, Tungsten etc. and metal oxides.  2. Description of the samples on which metals to be deposited: (i) Metals will be deposited on polymers patterned through electron beam lithography and/or optical lithography techniques. These polymers are, in general, temperature sensitive and therefore the temperature of the substrate holder should be well below 50oC during deposition. Existing substrate holder has the provision for rotation and vertical motion. (ii) Deposition on blank substrates like silicon, Germanium, glass through metal shadow mask.		
2	<b>EBD unit</b>		
	1. It should be a six pocket high voltage e-beam source of power 6 kW or higher, mounted on a 12 inch flange (see annexure-1 for the system schematic) along with a suitable compact size power supply.		
	2. Capable of working at a base vacuum of $1 \times 10^{-8}$ mbar or better.		
	3. E-beam source should have a motorized turret indexer.		
	4. It should have all HV compatible feed through (water, electrical etc.)		
	5. Volume of the pockets should be 7cc or higher.		
6. Deposition should be free of arcs.			



		7. Design of the e-beam source be such that there is no cross contamination.		
		8. It should have flexible water pipes and water cooling connection system.		
		9. It should have a shutter.		
		10. It should have X-Y beam sweep controller to independently control the following parameters in both X and Y direction: Beam position, Beam sweep amplitude, waveforms etc.		
		11. Provision for using replaceable crucibles.		
		12. High voltage cables and sockets should be designed with proper insulation.		
3	<b>Optional</b>	1. Accessory for controlling the deposition rate and thickness.		
		2. Arrangements to cool the substrate below room temperature.		

(Note: It is mandatory for the bidders to provide the compliance statement (comply/not comply) for the above points with document proof as required). If the compliance statement (comply/Not comply) is not furnished for the evaluation. Bidders will be disqualified.

**SIGNATURE OF BIDDER ALONG WITH  
SEAL OF THE COMPANY WITH DATE**

**FINANCIAL BID (PROFORMA) - BILL OF QUANTITIES (BOQ)**

**Item Name: Electron Beam Deposition**  
**Tender No. PY/ABHI/145/2024/ELEBEDEPO**

It. No	Description of work	Quantity	Units	Basic Rate in INR	GST in Percentage	Total Amount with taxes in INR
1	Electron Beam Deposition	1	No.			
2	Accessory for controlling the deposition rate and thickness <b>(Optional)</b>	1	No.			
3	Arrangements to cool the substrate below room temperature <b>(Optional)</b>	1	No.			
Grand Total						

Total Amount Rupees in words \_\_\_\_\_

Note:

- Price bid as per this format to be uploaded only at the financial document column in CPP Portal. Price disclosure at the technical bid will result in disqualification.
- Technical Bid Should NOT Contain Price Bid/Financial Bid details (or) Indication. If the price Details are indicated, mentioned inside the Technical bid, then bid will be disqualified and neither the Technical Bid nor the Price Bid/Financial Bid will be considered.
- Optional Items – to be mandatorily quoted.
- The Purchaser reserves the right to procure the optional items based on the budgetary provisions.
- The Value mentioned for Optional items, if any, will not be considered for arriving L1 vendor.

I/We the bidder accept all the terms and conditions as per tender including all technical & commercial conditions.

Date:  
Place:

Authorized Signatory  
(\_\_\_\_\_)  
Seal and signature

**FORMAT FOR AFFIDAVIT OF SELF-CERTIFICATION UNDER PREFERENCE TO MAKE  
IN INDIA – PER ITEM**

**Tender Reference Number:**

**Name of the item / Service:**

Date: \_\_\_\_\_

I/We \_\_\_\_\_ S/o, D/o, W/o, \_\_\_\_\_

Resident of \_\_\_\_\_

Hereby solemnly affirm and declare as under:

That I will agree to abide by the terms and conditions of the Public Procurement (Preference to Make in India) Policy vide GoI Order no. P-45021/2/2017-PP (B.E.-II) dated 15.06.2017 (subsequently revised vide orders dated 28.05.2018, 29.05.2019 and 04.06.2020) MOCI order No. 45021/2/2017-PP (BE II) Dt.16th September 2020 & P- 45021/102/2019-BE-II-Part (1) (E-50310) Dt.4th March 2021 and any subsequent modifications/Amendments, if any and

That the local content for all inputs which constitute the said item/service/work has been verified by me and I am responsible for the correctness of the claims made therein.

**Tick (✓) and Fill the Appropriate Category**

<input type="checkbox"/>	I/We _____ [name of the supplier] hereby confirm in respect of quoted items that Local Content is equal to or more than 50% and come under “ <b>Class-I Local Supplier</b> ” category.
<input type="checkbox"/>	I/We _____ [name of the supplier] hereby confirm in respect of quoted items that Local Content is equal to 20% but less than 50% and come under “ <b>Class-II Local Supplier</b> ” category.

- The details of the location (s) at which the local value addition is made and the proportionate value of local content in percentage

Address \_\_\_\_\_ Percentage of Local content: \_\_\_\_\_%

For and on behalf of ..... (Name of firm/entity)

Authorized signatory (To be duly authorized by the Board of Directors)

<Insert Name, Designation and Contact No.>

[Note: In case of procurement for a value in excess of Rs. 10 Crores, the bidders shall provide this certificate from statutory auditor or cost auditor of the company (in the case of companies) or from a practicing cost accountant or practicing chartered accountant (in respect of suppliers other than companies) giving the percentage of local content.]

**This letter should be on the letterhead of the quoting firm and should be signed by a competent authority.**

**Non-submission of this will lead to Disqualification of bids.**

(To be given on the letter head of the bidder)

No. \_\_\_\_\_

Dated: \_\_\_\_\_

**CERTIFICATE**

*(Bidders from India)*

I have read the clause regarding restrictions on procurement from a bidder of a country which shares a land border with India and hereby certify that I am not from such a country.

**OR**

***(whichever is applicable)***

*(Bidders from Country which shares a land border with India)*

I have read the clause regarding restrictions on procurement from a bidder of a country which shares a land border with India and hereby certify that I from \_\_\_\_\_ (Name of Country) and has been registered with the Competent Authority. I also certify that I fulfil all the requirements in this regard and is eligible to be considered. *(Copy/ evidence of valid registration by the Competent Authority is to be attached)*

Place:

Date:

Signature of the Tenderer  
Name & Address of the  
Tenderer with Office Stamp

**OEM CERTIFICATION FORM**  
**(In Original Letter Head of OEM)**

Tender No: ..... Dated: .....

We are Original Equipment Manufacturers (OEM) of..... (Name of the company) Ms..... (Name of the vendor) is one of our Distributors/Dealers/Resellers/Partners (tick one) for the ..... and is participating in the above-mentioned tender by offering our product model.....(Name of the product with model number).

..... is authorized to bid, sell and provide service support warranty for our product as mentioned above.

Name and Signature of the authorized signatory of OEM along with seal of the company with Date

**TENDER CHECKLIST – Mandatory to be filled and sent (inside the Main Bid Cover) along with Bidding Document.**

- (1) I have registered as a Vendor with IC&SR. (Proof to be enclosed)   
To submit document proof pertaining to point.no: 6 of tender ISO certificate, Active GSTIN certificate, valid PAN details.
- (2) Technical bid cover and Financial Bid cover to be submitted separated
- (3) Completed and **Signed Form of Tender**. The Form of Tender document shall be signed by a person legally authorized.
- (4) Completed Technical Compliance Statement
- (5) Certification of Class I / Class II (**As a part of technical bid**) per item / service / work as per (**Annexure – D**)
- (6) EMD (**Annexure – I**)
- (7) Land Border (**Annexure – E**)
- (8) Authorized agent certificate from OEM is mandatory if Indian agent/Indian office of OEM is participating in this tender on behalf of OEM. (**Annexure F**)

The bid will be valid only if all the above documents are provided. Bidders are asked to supply and tick off the required information. Failure to provide any of the stated documents may result in the bid being considered as non-compliant and rejected.

**Signature of the Bidder**

**FORM - A  
NON- DEBARMENT DECLARATION**

**Date: XXXX**

To,  
The Indian Institute of Technology Madras,  
Sardar Patel road,  
Guindy, Chennai - 600036

**Subject: Non-debarment declaration in connection with tender RFF No: XXXXXX for procurement of “XXXXXXXXXXXXXXXXXXXXXXXXXXXXXXXXXXXX”**

Dear Sir,

This is to notify you that our Firm/Company/Organization <provide Name of the Firm/Company/Organization> intends to submit a proposal in response to the invitation for procurement of “XXXXXXXXXXXXXXXXXXXXXXXXXXXXXXXXXXXX” In accordance with the above we declare that:

- a. We are not involved in any major litigation that may have an impact of affecting or compromising the delivery of services as required under this assignment.
  
- b. We are not debarred by any Central/ State Government/ agency of Central/ State Government of India or any other country in the world/ Public Sector Undertaking/ any Regulatory Authorities in India or any other country in the world for any kind of fraudulent activities in last XX years.

Sincerely,

[BIDDERS NAME]

Name

Title Signature



CENTRE FOR INDUSTRIAL CONSULTANCY & SPONSORED RESEARCH (IC&SR)  
INDIAN INSTITUTE OF TECHNOLOGY MADRAS  
CHENNAI 600 036



**ELECTRONIC CLEARING SERVICE (Credit Clearing)/ REAL TIME GROSS SETTLEMENT (RTGS) FACILITY FOR RECEIVING PAYMENTS**

**A. Details of Account Holder**

Name of the Institution	Indian Institute of Technology - Madras
Complete Contact Address	Industrial Consultancy and Sponsored Research Indian Institute of Technology-Madras, IIT- Madras Campus Post Office, Sardar Patel Road, Guindy, CHENNAI - 600 036
Permanent Account Number (PAN)*	AAAAI3615G
GST REGISTRATION NO.	33AAAAI3615G1Z6
Telephone No./ Fax No.	Tel - 044-2257 8356
E- mail ID of the FO/AO/REG/DIR	dricrs@iitm.ac.in

**B. Bank Account Details:**

Institution Account Name (As per Bank Record)	The Registrar, Indian Institute of Technology - Madras
Account No.	2722101003872
IFSC CODE	CNRB0002722
SWIFT CODE	CNRBINBBIIT
Bank Name (in full)	Canara Bank
Branch Name	IIT-Madras Branch
Complete Branch Address	Canara Bank, IIT-Madras Branch, IIT- Madras Campus Post Office, Sardar Patel Road, Guindy, CHENNAI - 600 036
MICR No.	600015085
Account Type	Savings Account

Certified that the Institute's account is in an RTGS enabled branch.

I hereby declare that the particulars given above are correct and complete.

Date: 04/08/2023

कृते कनरा बँक / For CANARA BANK

  
अधिकारी / Officer  
आई आई टी चेन्नई शाखा / IIT Chennai Branch  
चेन्नई / Chennai - 600 036

करोलिन लेमिना.न  
M. KAROLINE LEMINA  
अधिकारी  
OFFICER  
S.P. No:64356

  
Signature of the Competent Authority  
of the Institution with seal.

उप कुलसचिव (आईसी एवं एसआर)  
DEPUTY REGISTRAR (IC & SR)  
आईआईटी मद्रास  
I.I.T. MADRAS



## MANDATE FORM

**ELECTRONICS CLEARING SERVICE (CREDIT CLEARING)/REAL TIME GROSS SETTLEMENT (RTGS) FACILITY FOR RECEIVING PAYMENTS.**

\*\*\*\*\*

**A. DETAILS OF ACCOUNT HOLDER:-**

NAME OF ACCOUNT HOLDER	
COMPLETE CONTACT ADDRESS	
TELEPHONE NUMBER/FAX/E MAIL	

**B. BANK ACCOUNT DETAILS:-**

BANK NAME	
BRANCH NAME WITH COMPLETE ADDRESS, TELEPHONE NUMBER AND EMAIL	
WHETHER THE BRANCH IS COMPUTERISED?	
WHETHER THE BRANCH IS RTGS ENABLED? IF YES, THEN WHAT IS THE BRANCH <b>IFSC CODE</b>	
IS THE BRANCH ALSO NEFT ENABLED?	
TYPE OF BANK ACCOUNT(SB/CURRENT/CASH CREDIT)	
COMPLETE BANK ACCOUNT NUMBER(LATEST)	
MICR CODE OF BANK	

**DATE OF EFFECT:**

I hereby declare that the particulars given above are correct and complete. If the transaction is delayed or not effected at all for reasons of incomplete or incorrect information I would not hold the user institution responsible. I have read the option invitation letter and agree to discharge responsibility expected of me as a participant under the Scheme.

(.....)  
Signature of Customer

Date:

Certified that the particulars furnished above are correct as per our records.

**(Bank's Stamp)**

(.....)  
Signature of Customer

Date :

1. Please attach a photocopy of cheque along with the verification obtained from the bank.
2. In case your Bank Branch is presently not "RTGS enabled", then upon its up gradation to "RTGS Enabled" branch, please submit the information again in the above proforma to the Department at earliest.